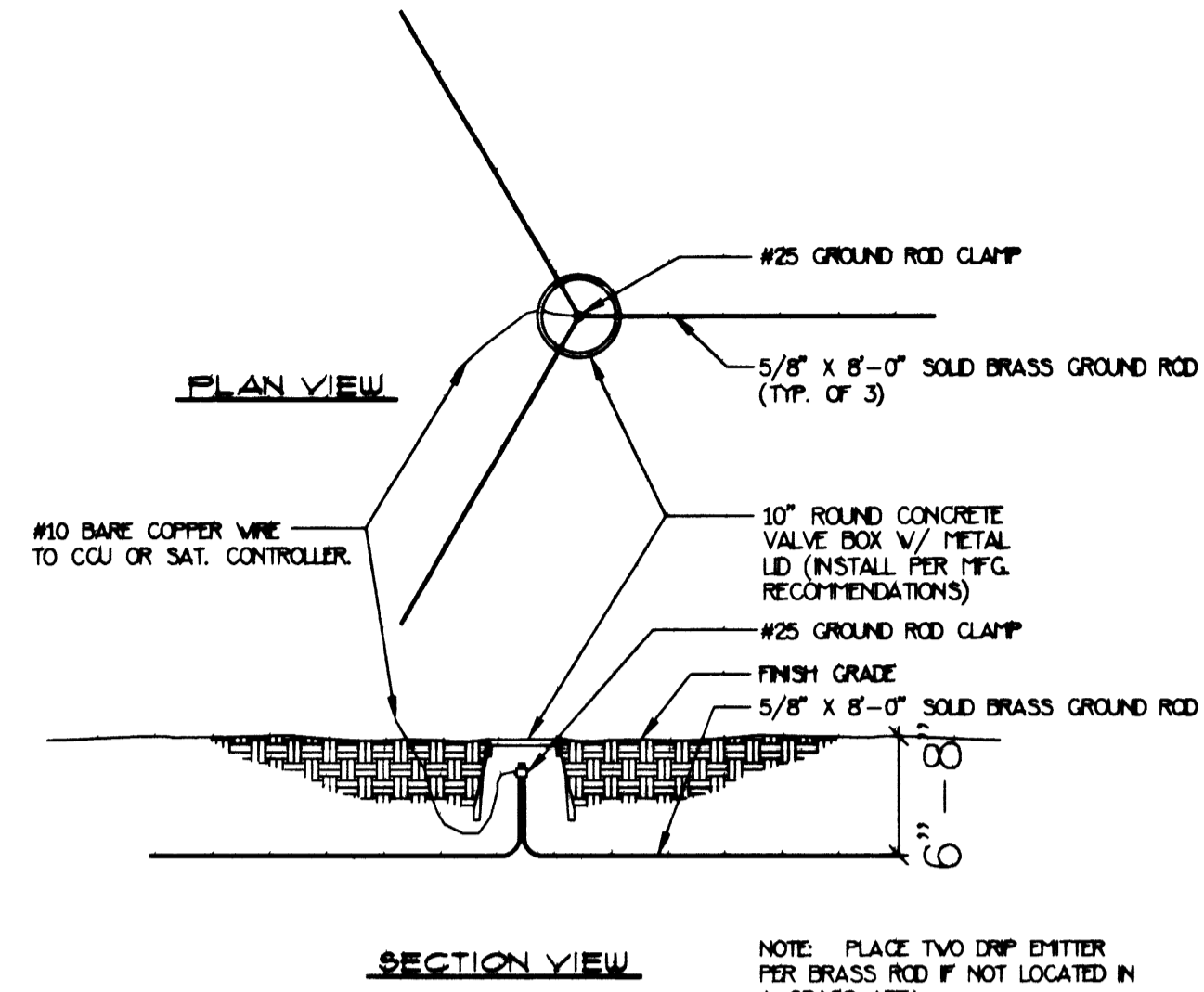
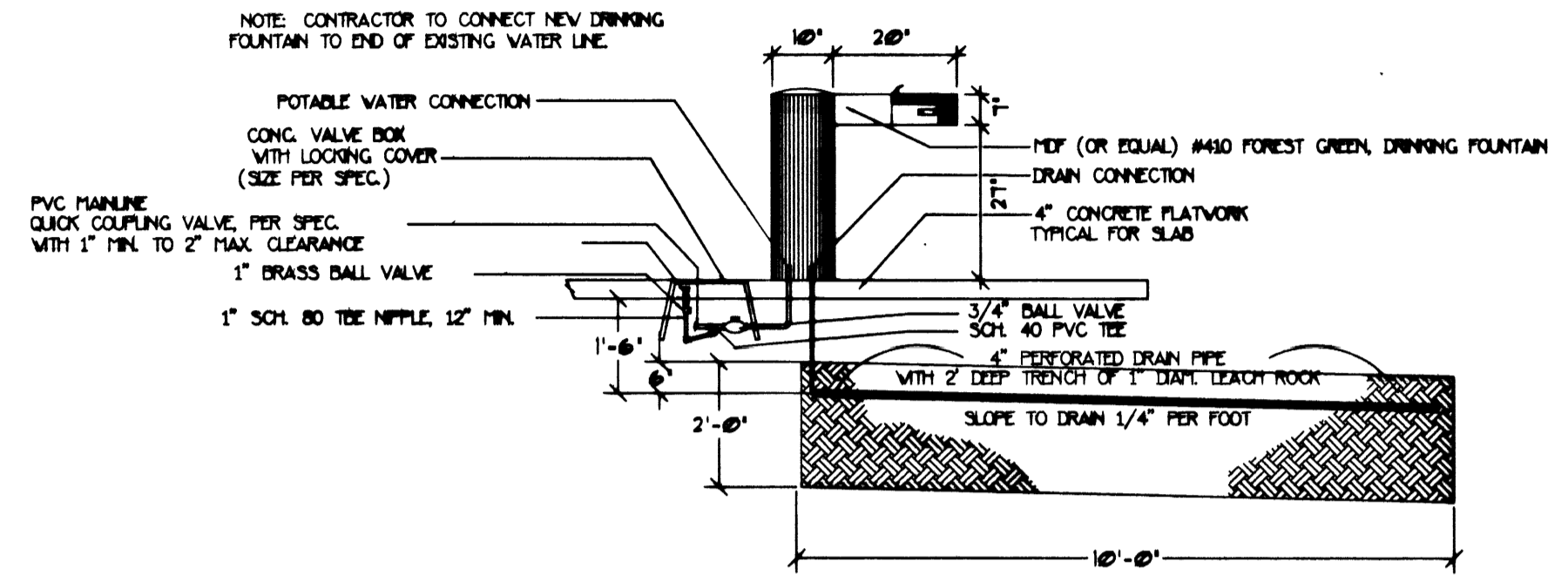


B CONCRETE SIDEWALK/SLAB DETAIL



C GROUNDING DETAIL



D DRINKING FOUNTAIN DETAIL

A NOT USED

REVISION / COMMENT

A Division of
Programmer
Design Group, Inc.
2801 N. Tenaya Way
Las Vegas, Nevada
89128
(702) 255-1064



ANN CIMARRON PARK
A CITY OF LAS VEGAS PROJECT
ANN ROAD AT CIMARRON ROAD
LAS VEGAS, NEVADA

LANDSCAPE DETAILS

DATE 7-98
DRAWN BY EAL
CHECKED BY SWS
PROJECT NO. 1003005

SHEET
L-4.1