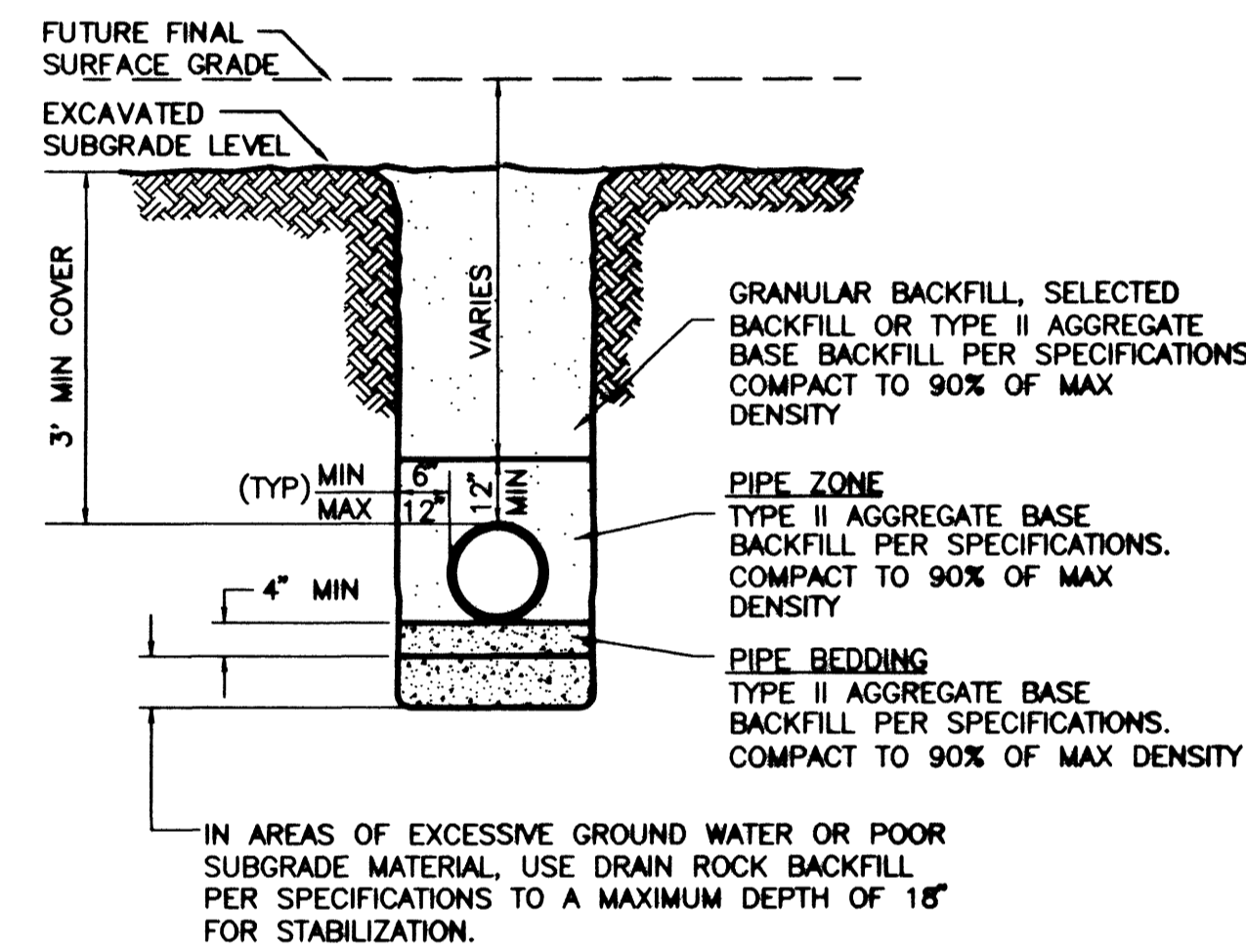
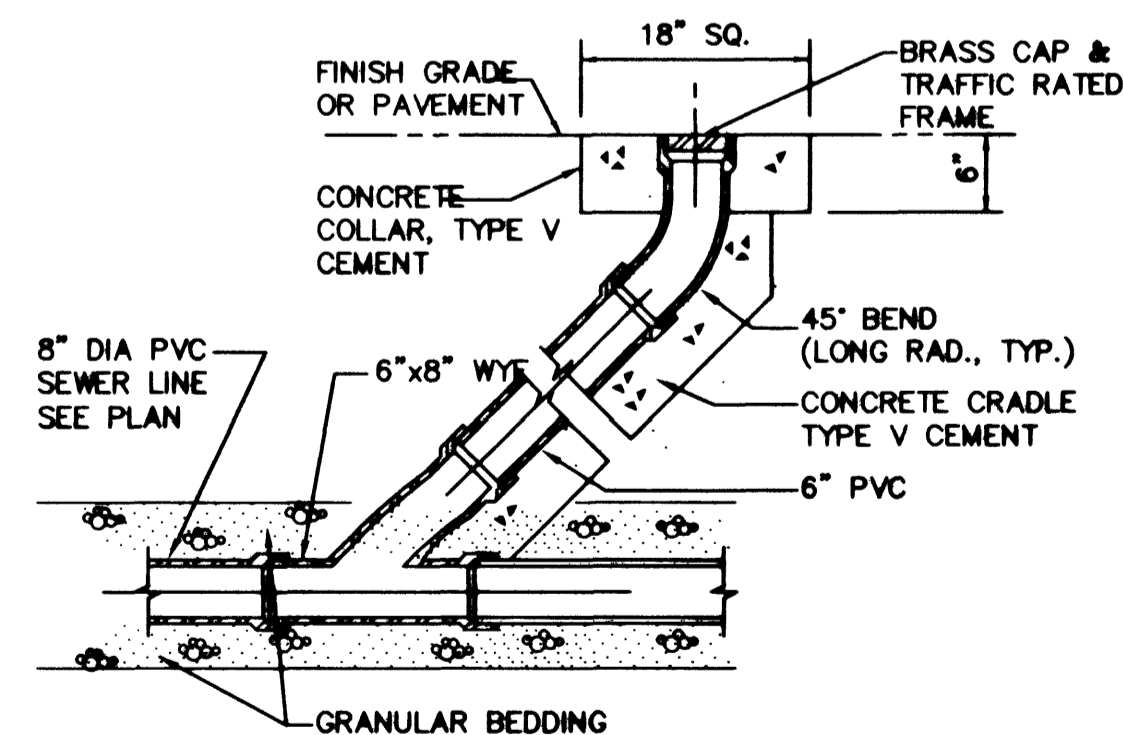


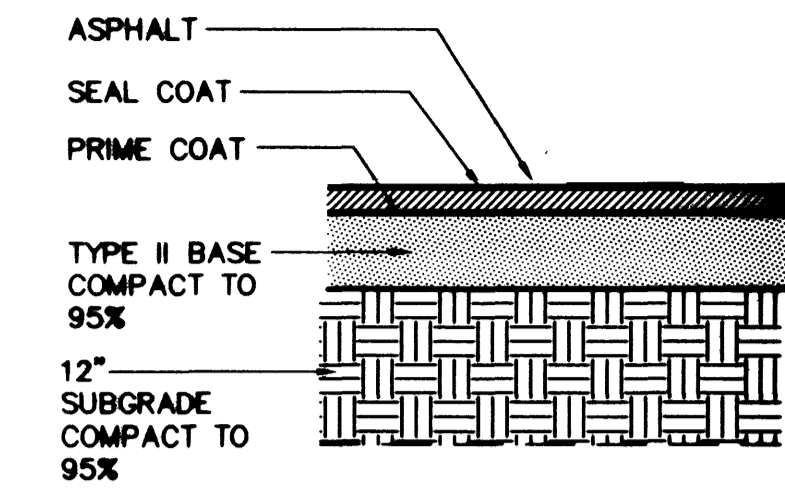
ON-SITE SEWER LINE TRENCH SECTION 5
NO SCALE



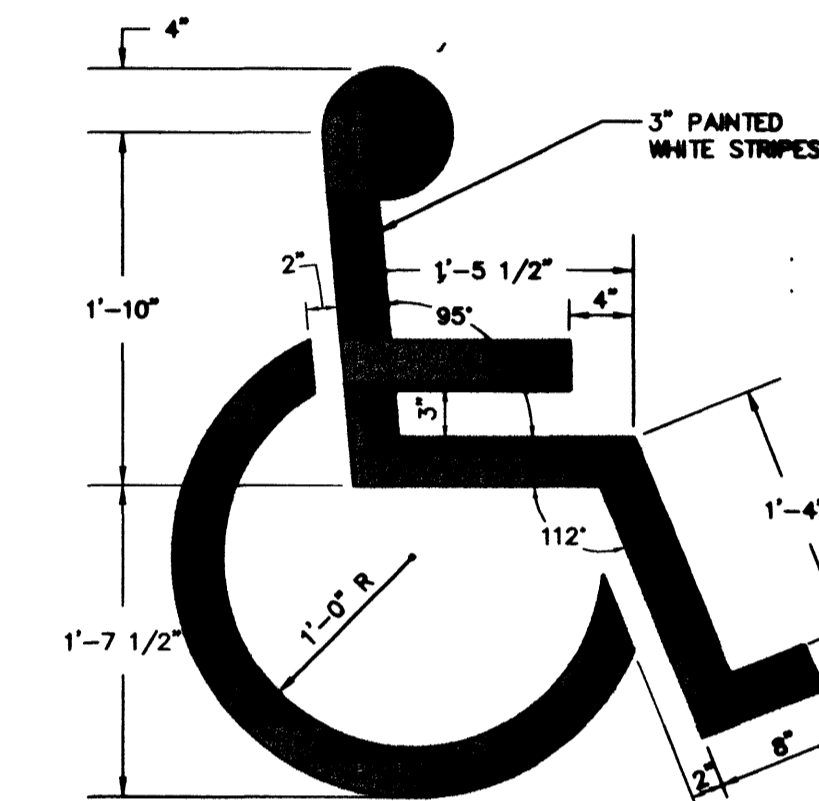
ON-SITE WATER LINE TRENCH SECTION 6
NO SCALE



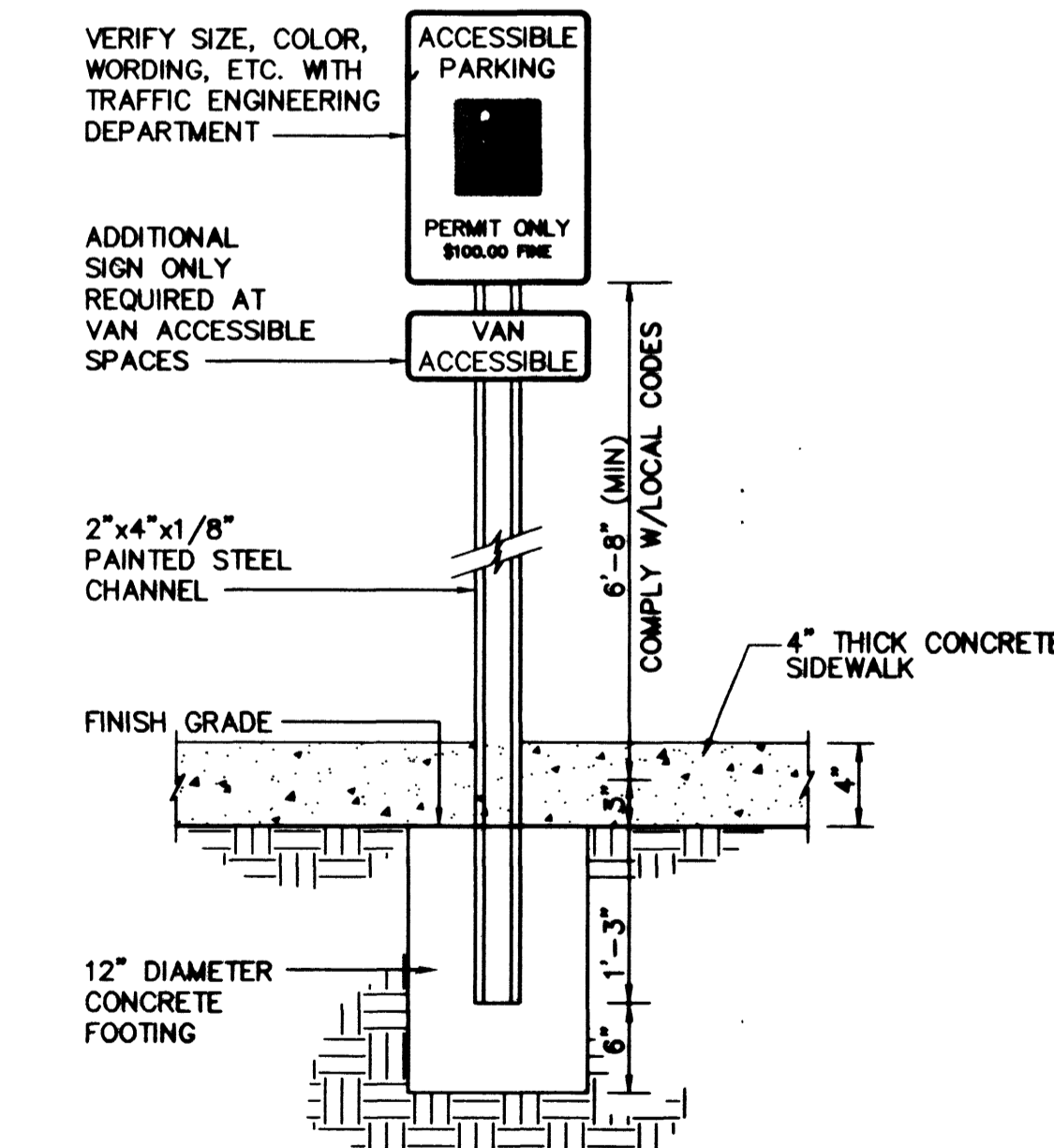
SANITARY SEWER CLEANOUT DETAIL 7
NO SCALE



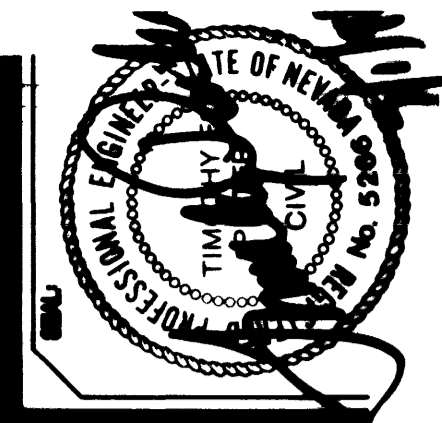
AC PAVEMENT SECTION 1
NO SCALE



HANDICAP SYMBOL 2
NO SCALE



ACCESSIBLE PARKING SIGN 4
NO SCALE



POGGEMEYER DESIGN GROUP
ENGINEERS PLANNERS SURVEYORS
2601 NORTH TENAYA WAY LAS VEGAS, NEVADA 89128 (702) 255-8100

a division of
Pogge Meyer
Design Group, Inc.
2601 N. Tenaya Way
Las Vegas, Nevada 89128
(702) 255-8100

ARCHITECTS
SOUTHWICK
and associates

ANN-CARRON PARK
CITY OF LAS VEGAS
ANN-CARRON
LAS VEGAS, NEVADA

MISCELLANEOUS DETAILS

CALL BEFORE YOU DIG.
1-800-227-2600

DWG NO. 050.43
DATE: 7-88
DRAWN BY: DFG
CHECKED BY: TFG
PROJECT NO: 1003006

C-5 1

PLANNING DATE: 10/03/00
FILE NUMBER: 1003006/97003/0400MDT.DWG

26891