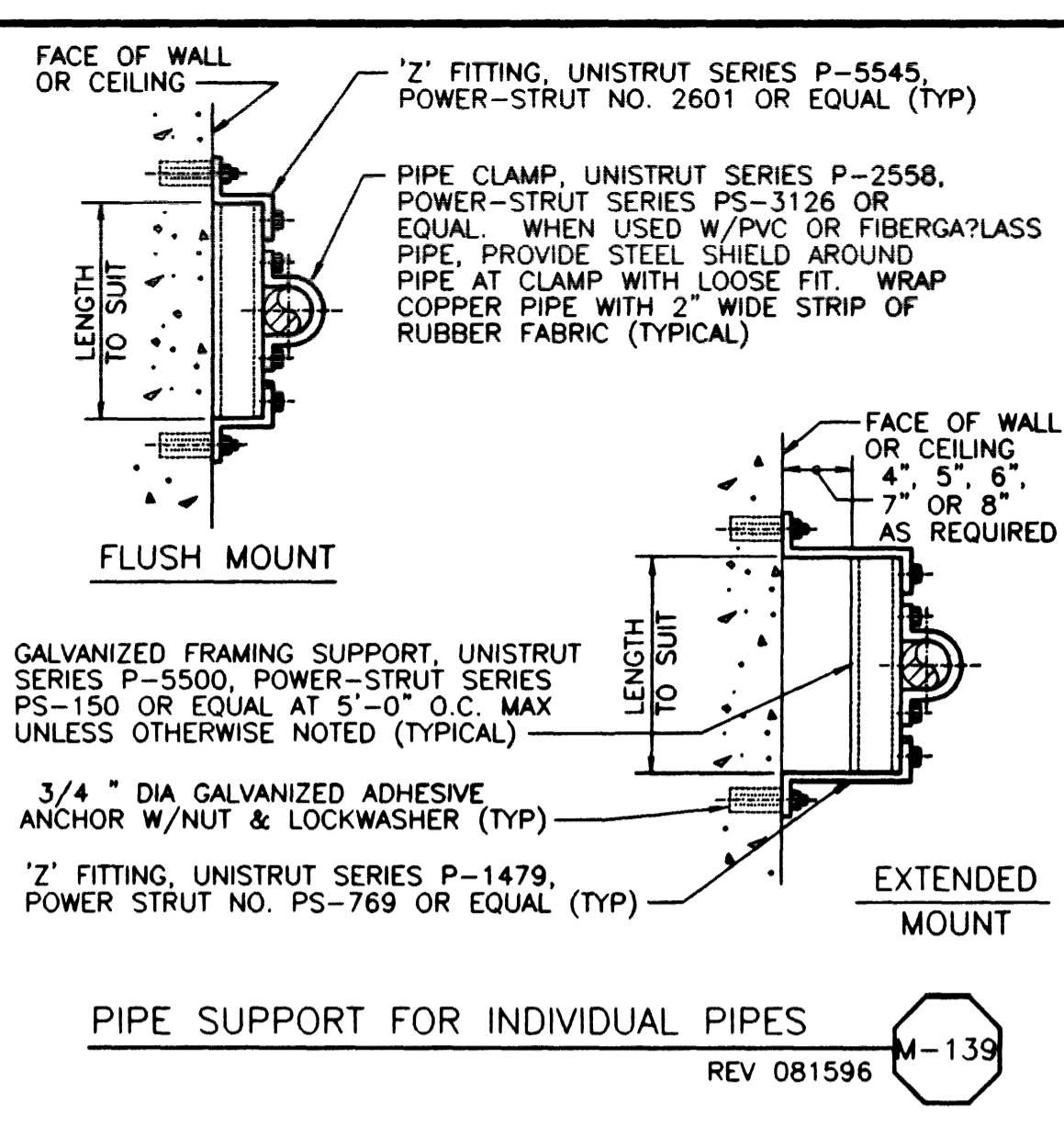
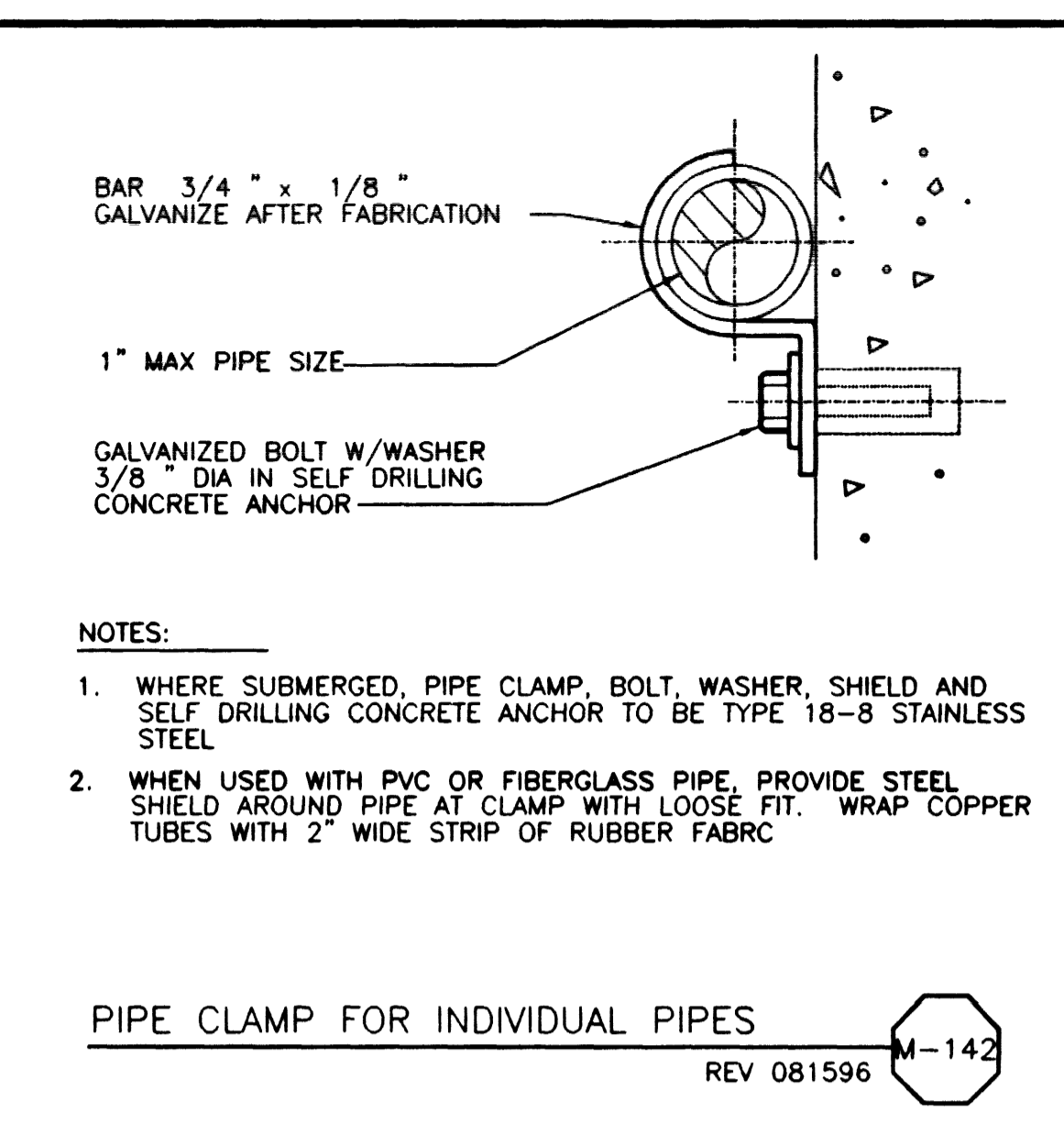


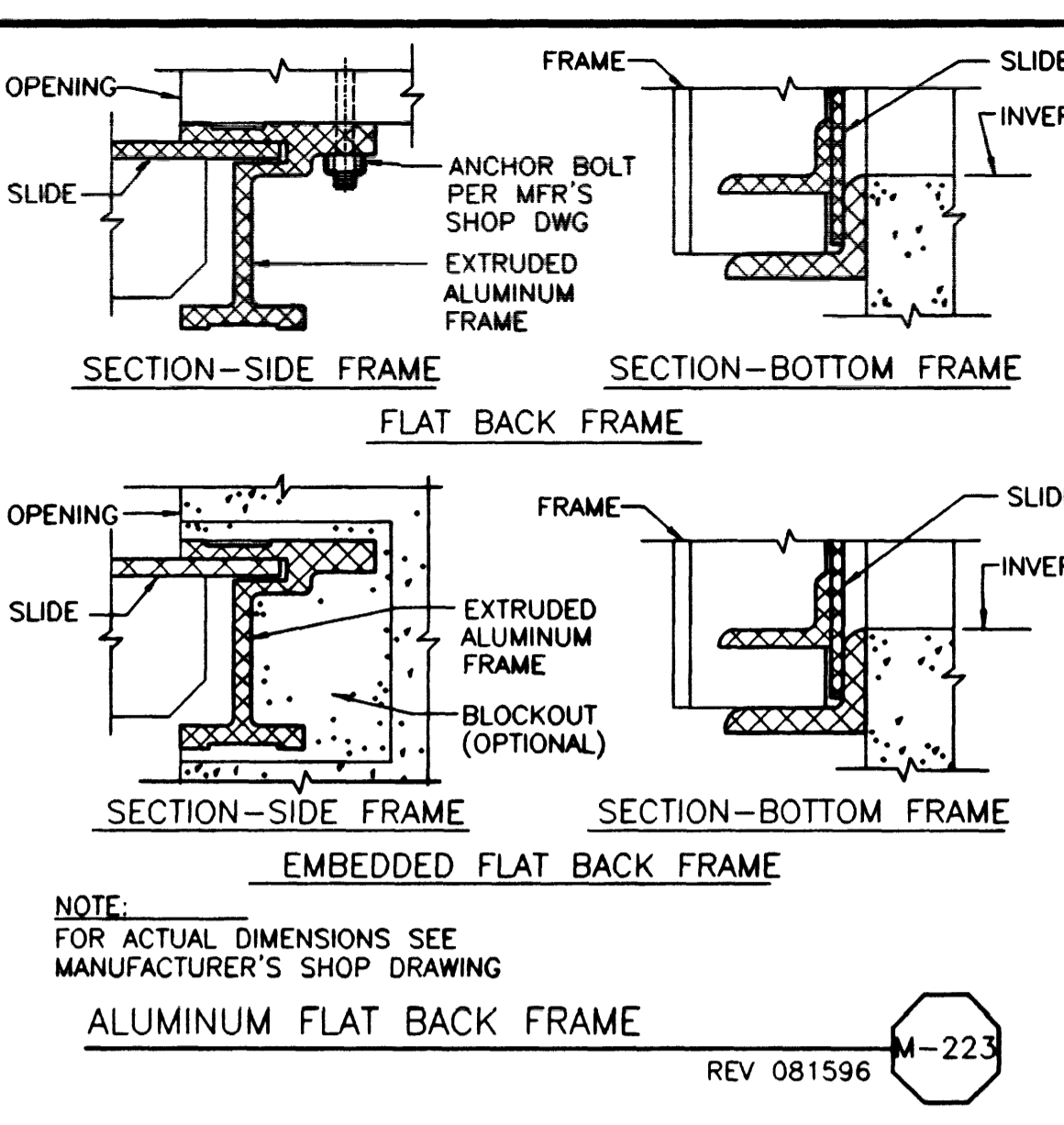
FLANGED (OR GROOVED) AND SPIGOT DUCTILE IRON OR CAST IRON THIMBLE  
REV 081596 M-122



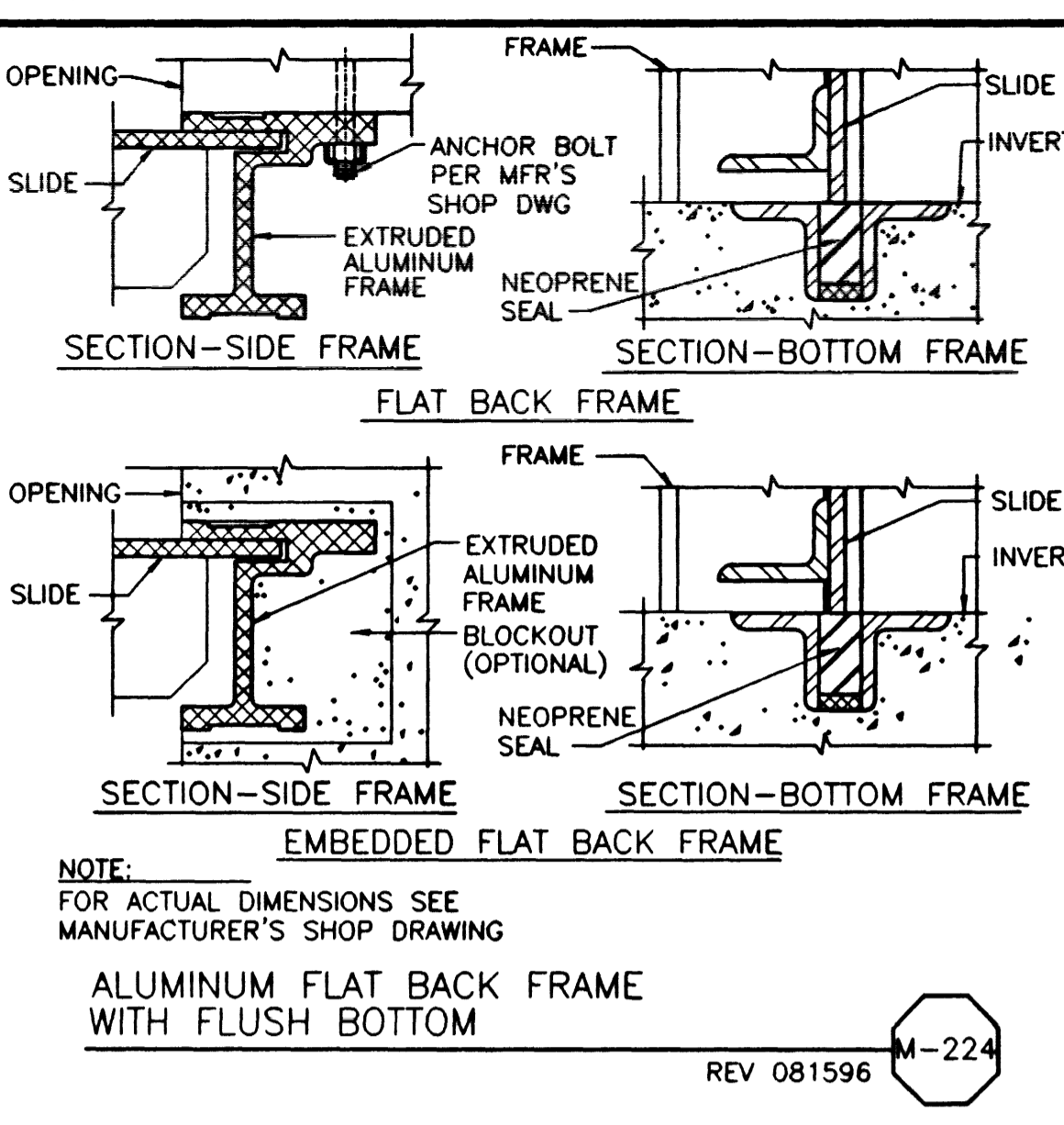
PIPE SUPPORT FOR INDIVIDUAL PIPES  
REV 081596 M-139



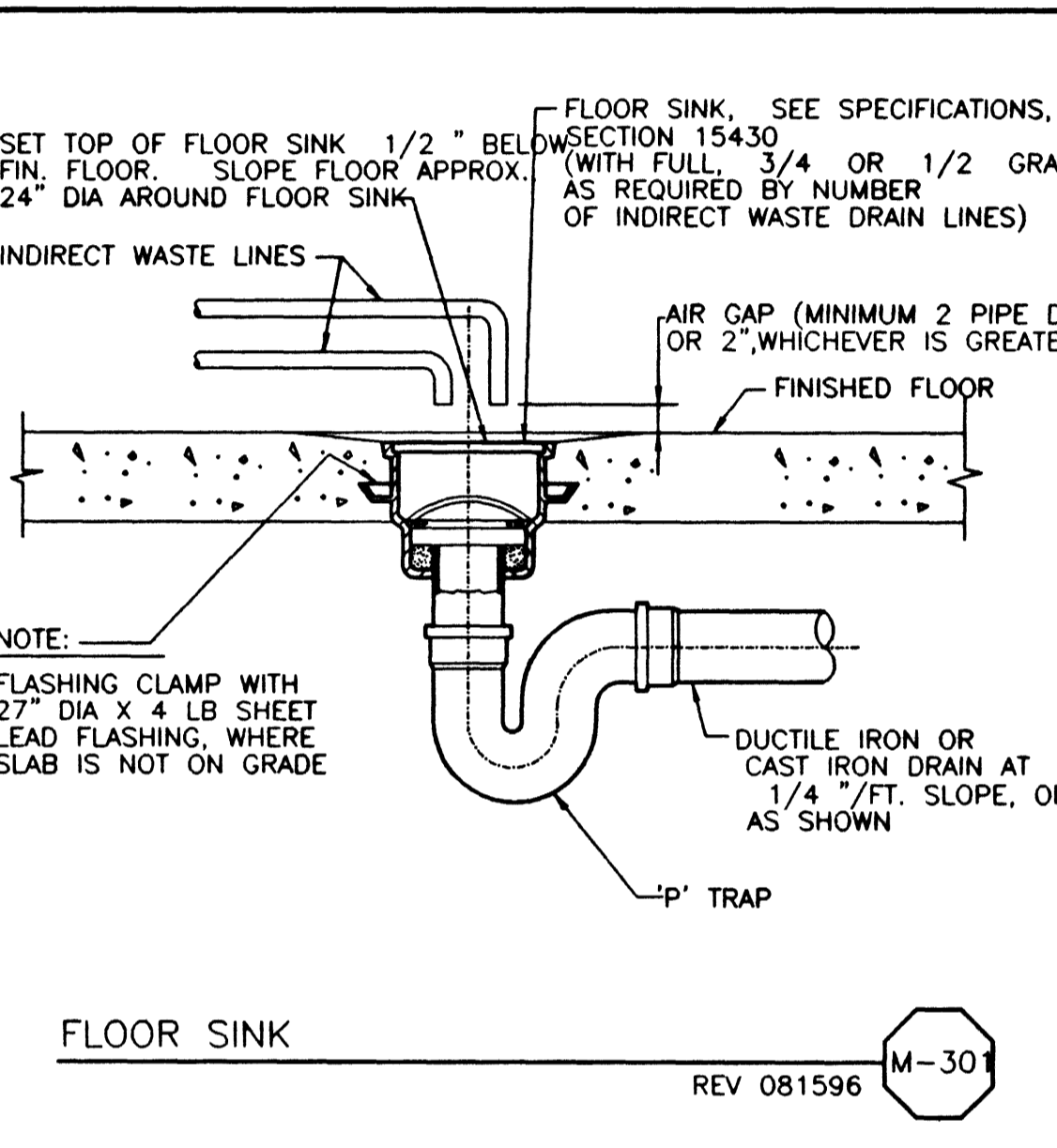
PIPE CLAMP FOR INDIVIDUAL PIPES  
REV 081596 M-142



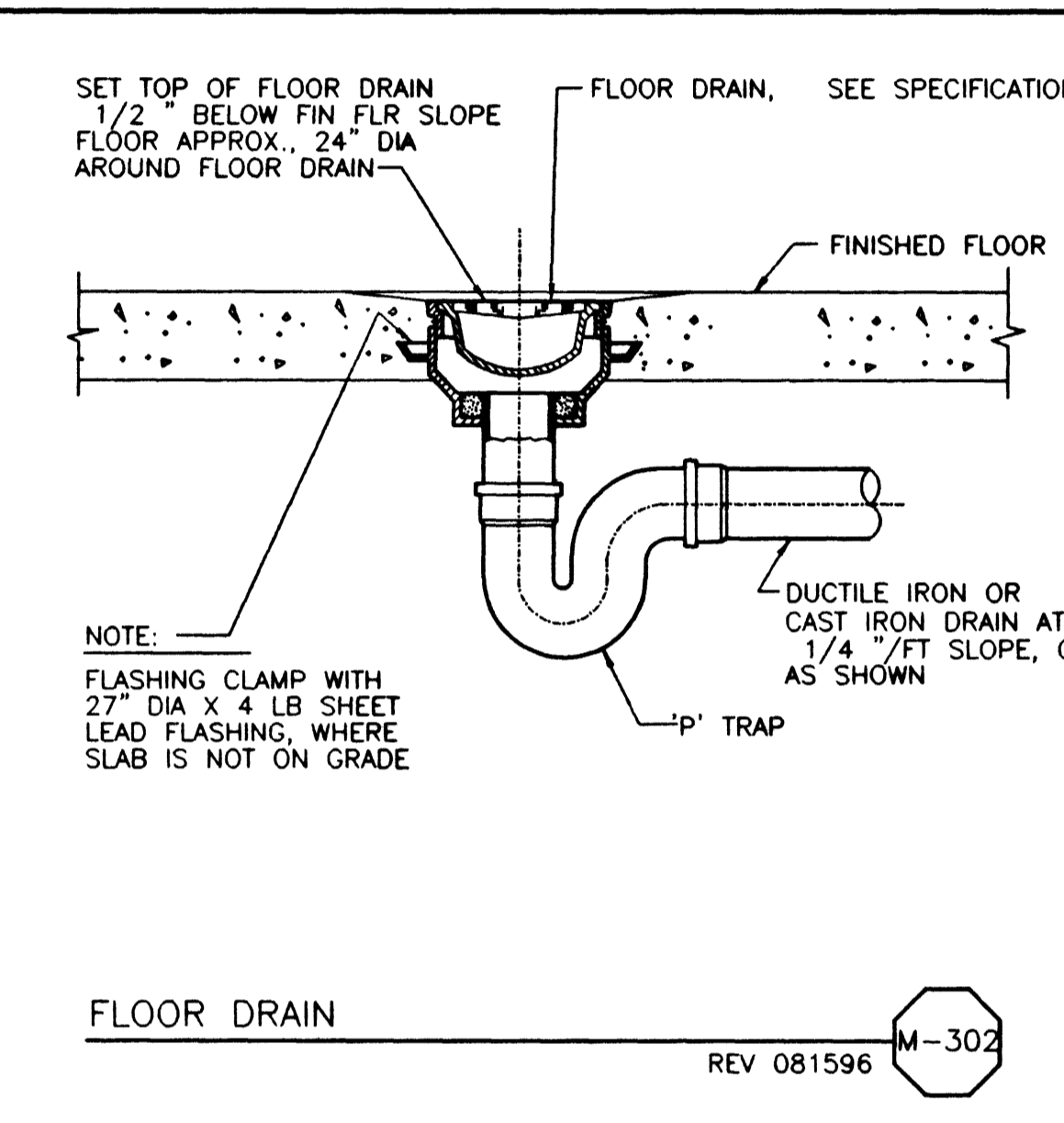
ALUMINUM FLAT BACK FRAME  
REV 081596 M-223



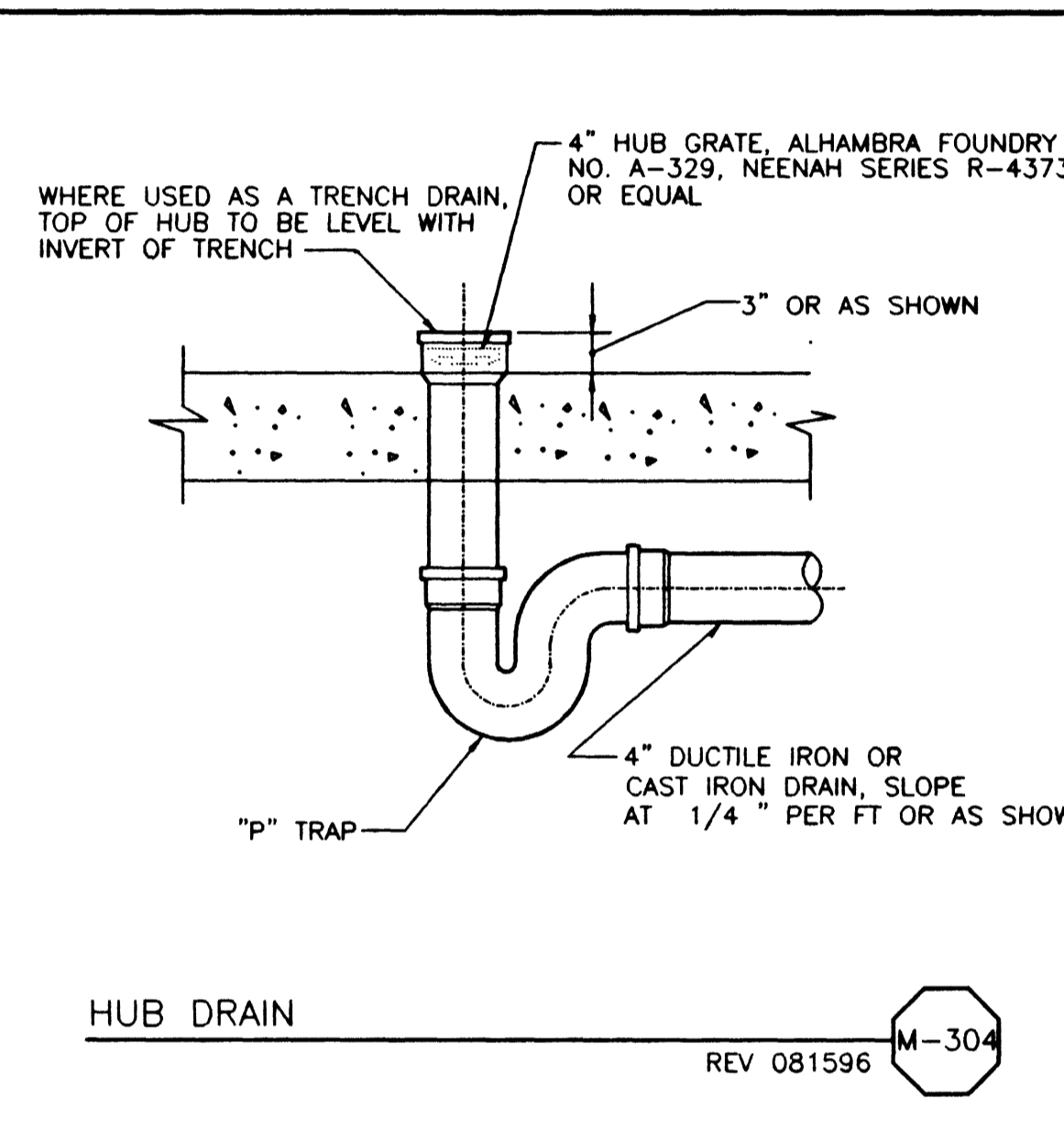
ALUMINUM FLAT BACK FRAME WITH FLUSH BOTTOM  
REV 081596 M-224



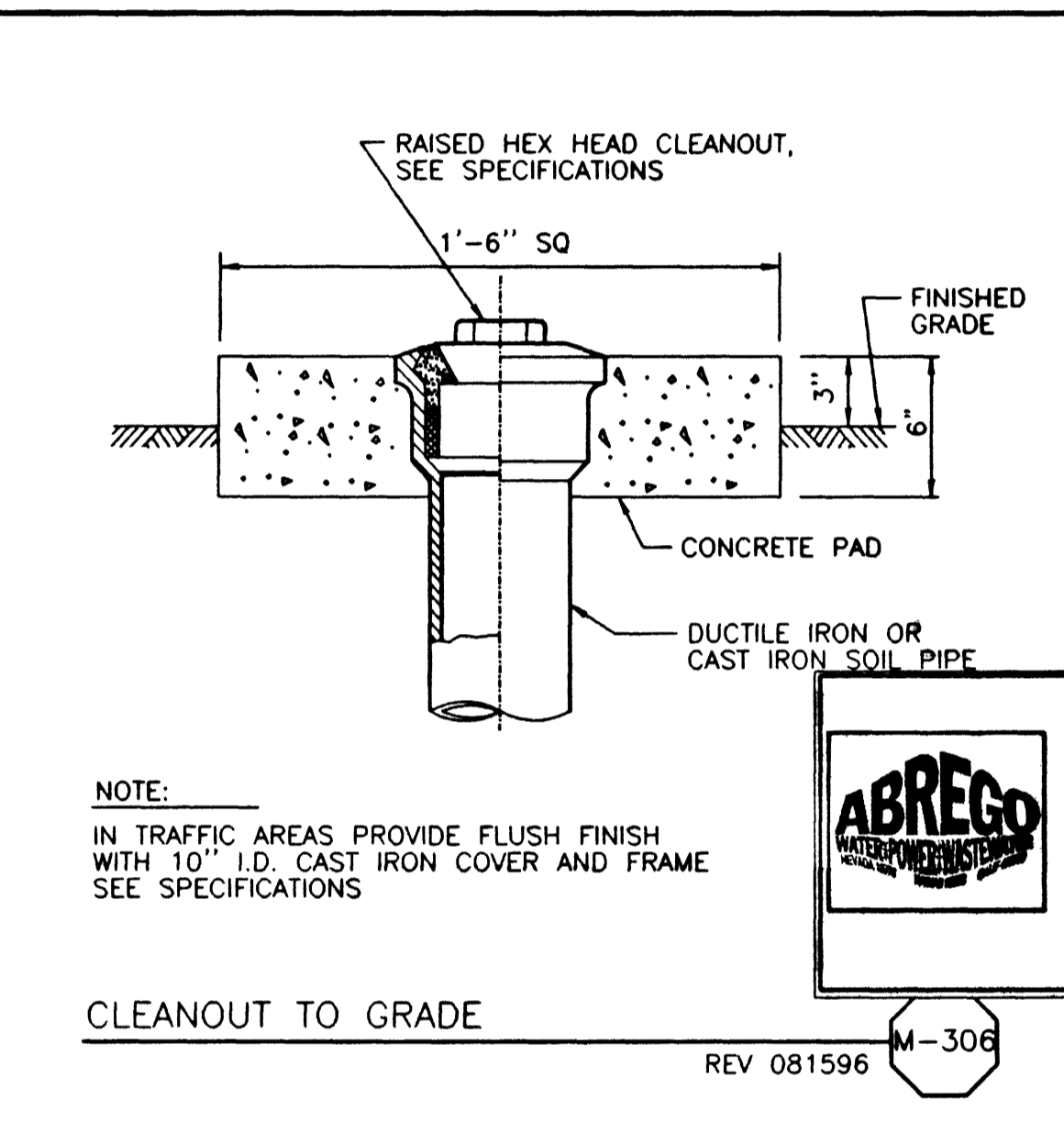
FLOOR SINK  
REV 081596 M-301



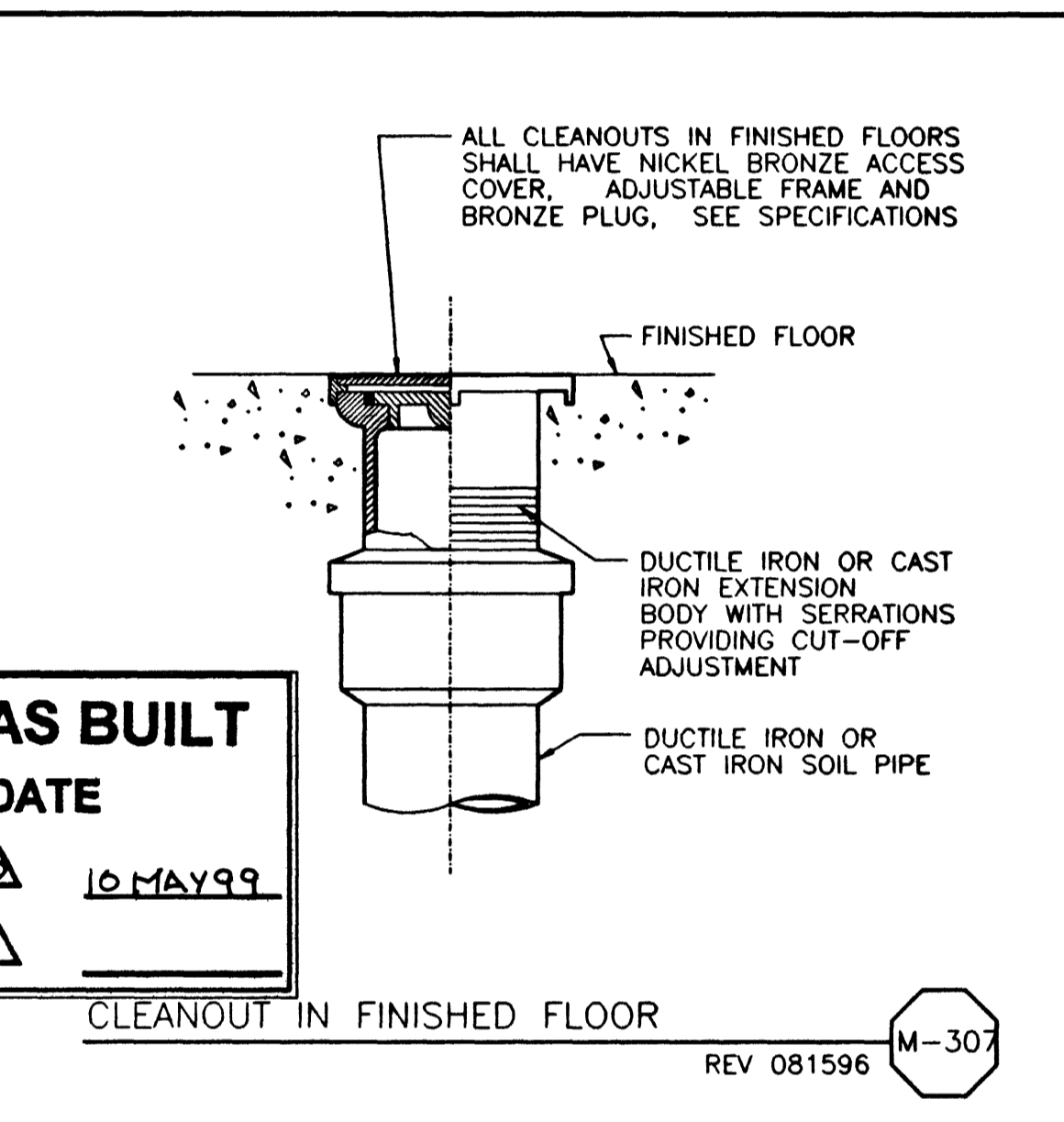
FLOOR DRAIN  
REV 081596 M-302



HUB DRAIN  
REV 081596 M-304

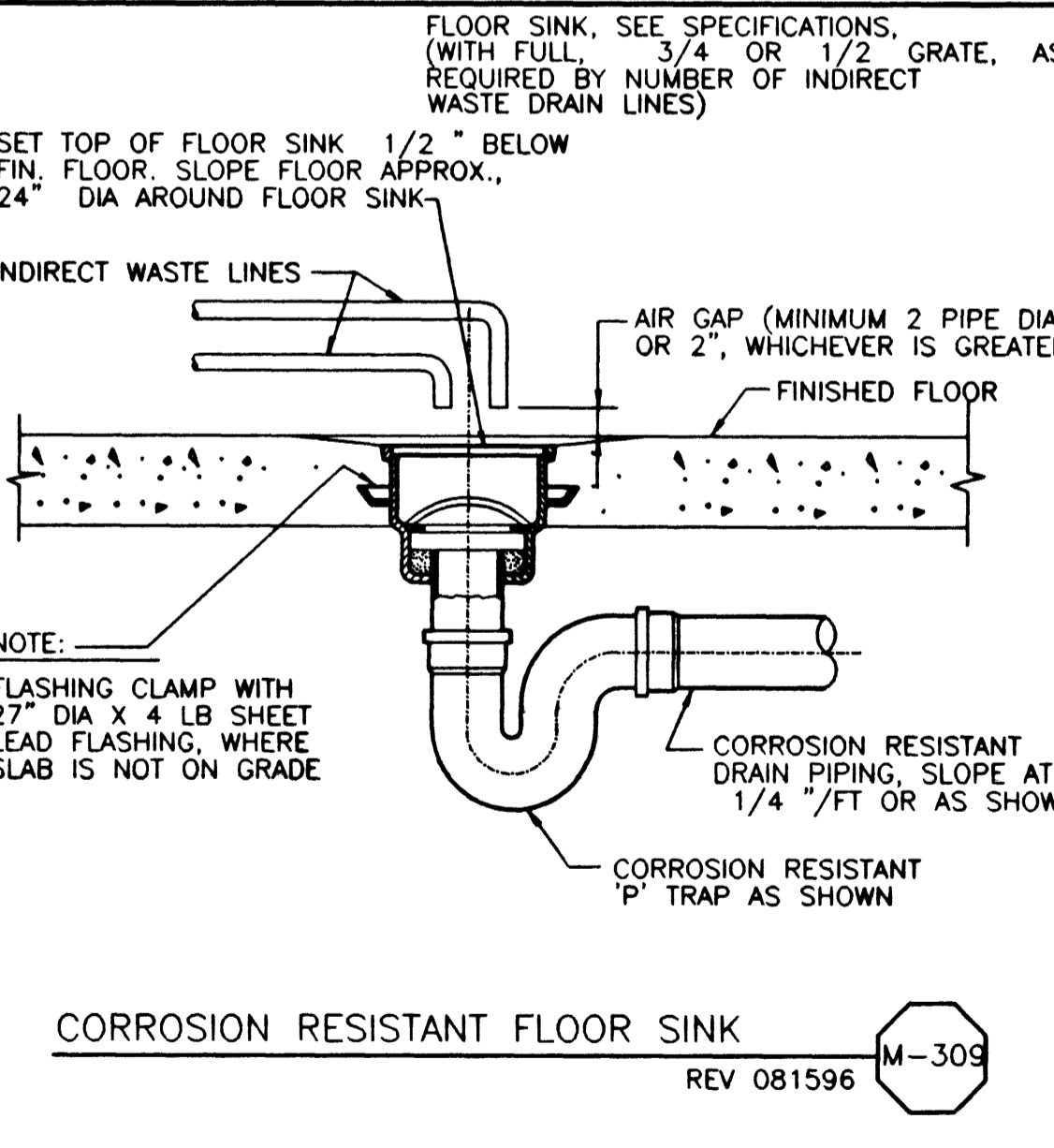


CLEANOUT TO GRADE  
REV 081596 M-306

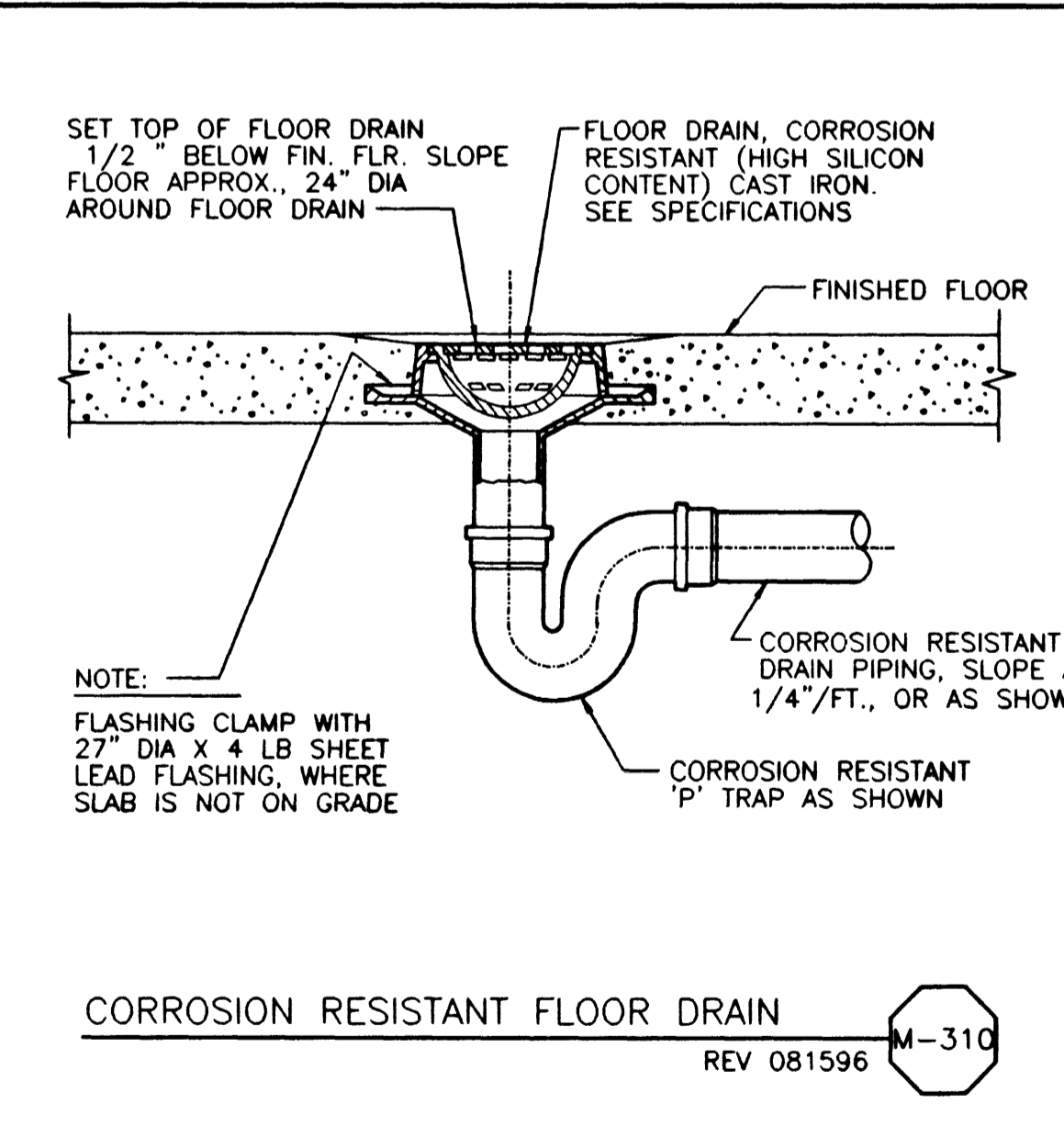


CLEANOUT IN FINISHED FLOOR  
REV 081596 M-307

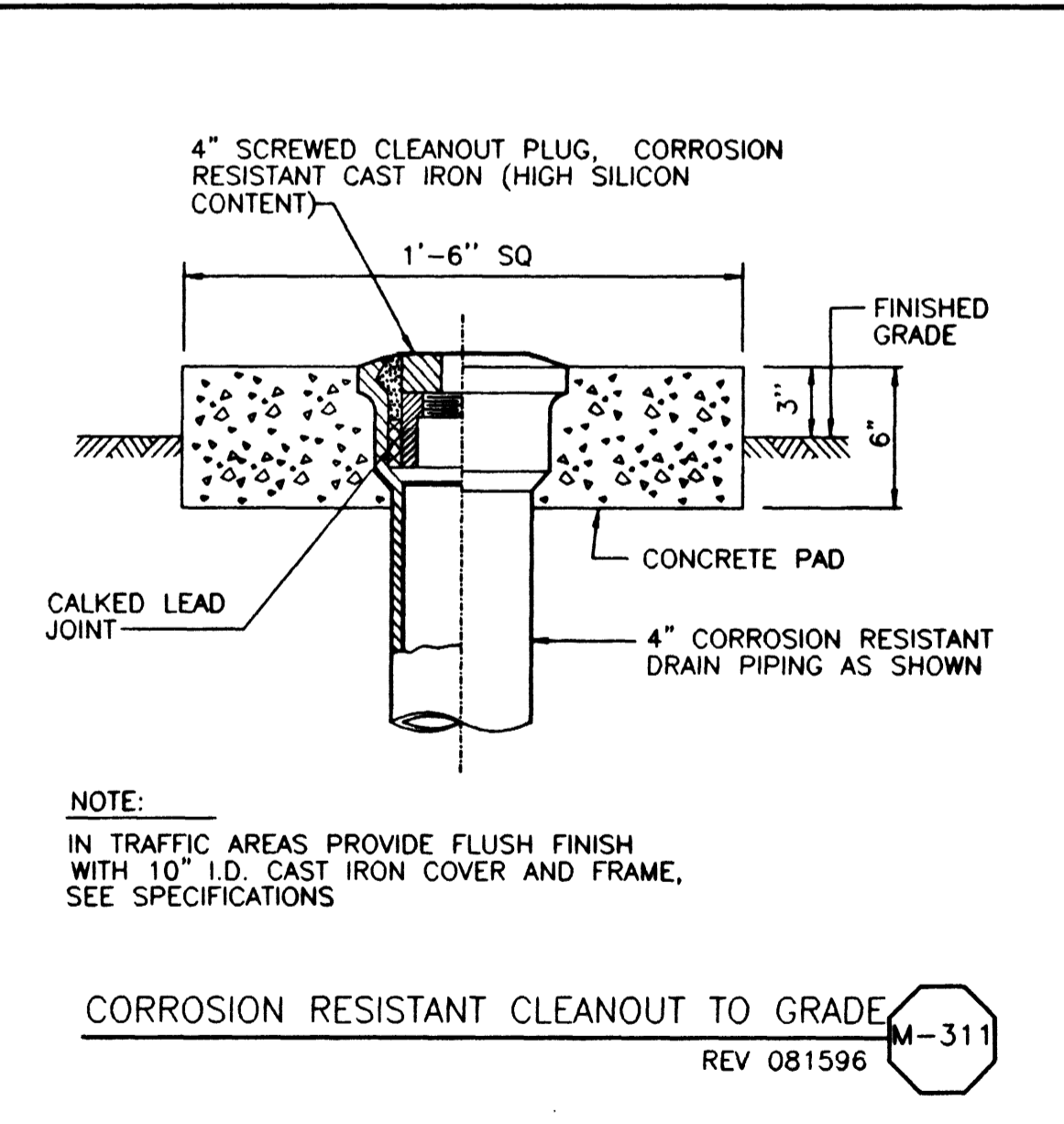
**AS BUILT DATE**  
  
 10 MAY 99



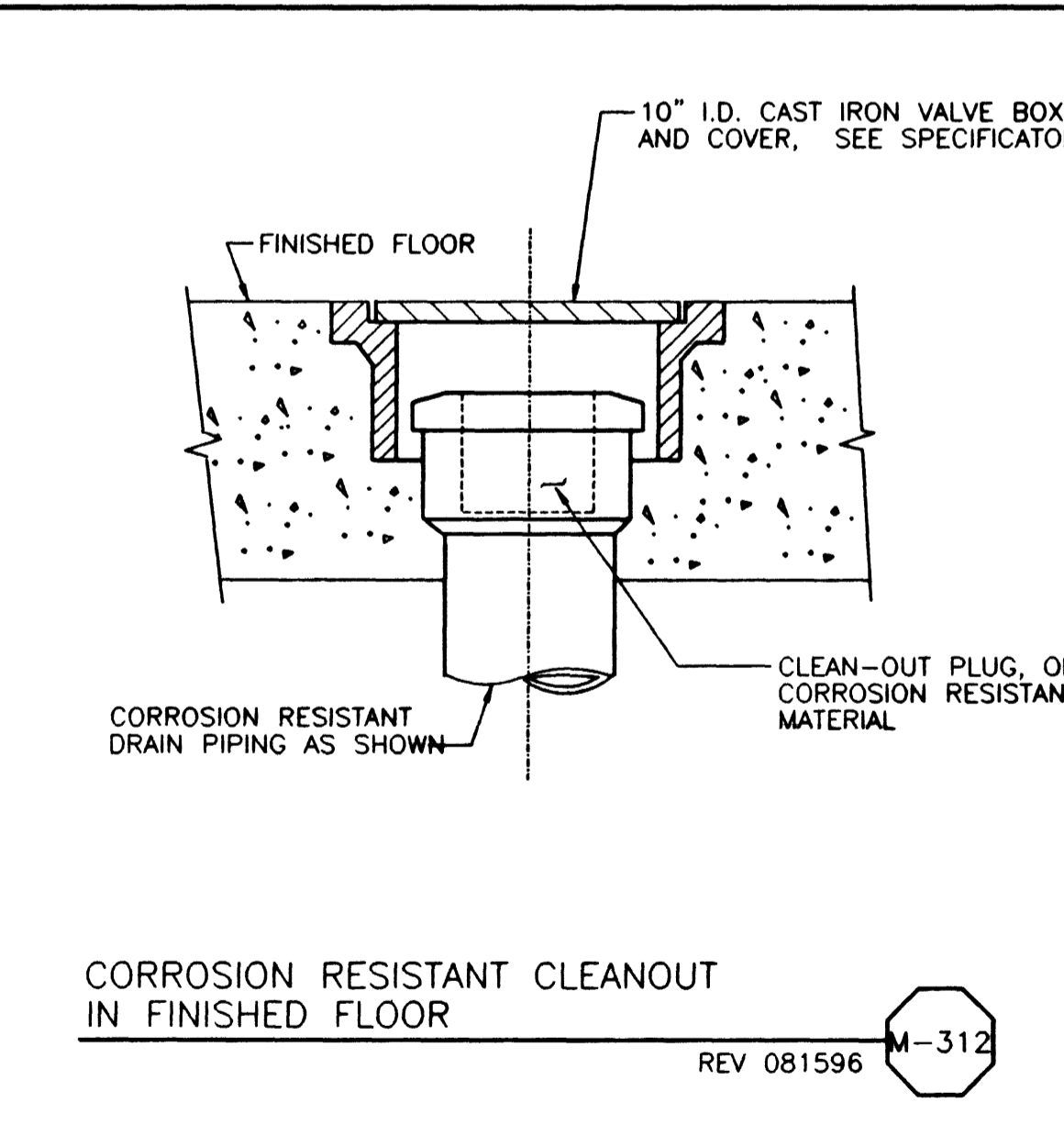
CORROSION RESISTANT FLOOR SINK  
REV 081596 M-309



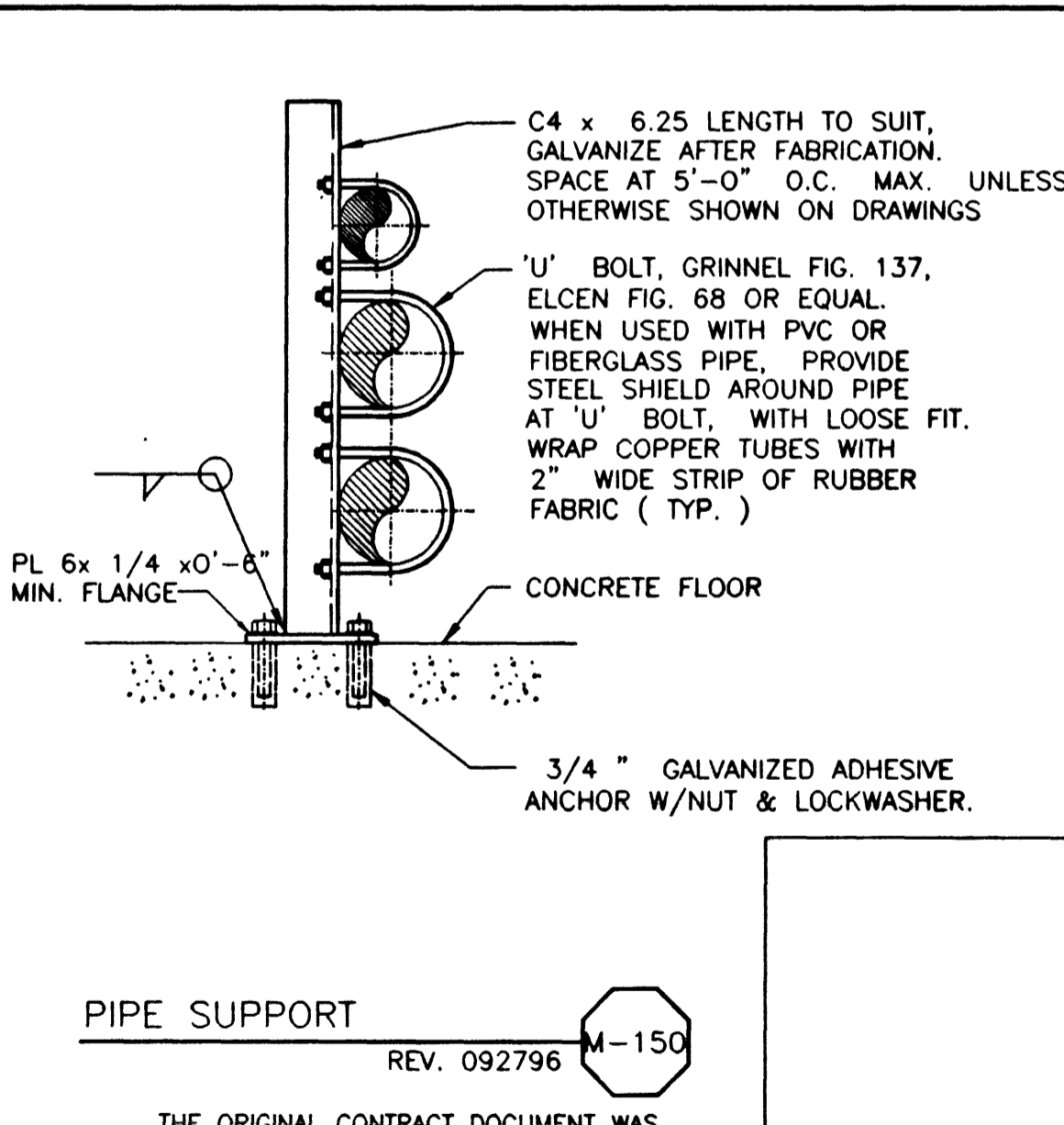
CORROSION RESISTANT FLOOR DRAIN  
REV 081596 M-310



CORROSION RESISTANT CLEANOUT TO GRADE  
REV 081596 M-311



CORROSION RESISTANT CLEANOUT IN FINISHED FLOOR  
REV 081596 M-312



PIPE SUPPORT  
REV. 092796 M-150

DATE/TIME DD-MMM-YY HHLMM FILE No. \\s\directory\filenames\

SCALE:	WARNING
NONE	0 1/2 1
IF THIS BAR DOES NOT MEASURE 1\"/>	
DESIGNED: L. MANNING	SUBMITTED: THE ORIGINAL CONTRACT DOCUMENT WAS SIGNED BY SATISH KAMATH
DRAWN: L. MANNING	PROJECT ENGINEER: R. C. E. NO. DATE
CHECKED: J. STRASSLE	RECOMMENDED: THE ORIGINAL CONTRACT DOCUMENT WAS SIGNED BY JOSEPH A. WOJSLAW
	MONTGOMERY WATSON R. C. E. NO. DATE

REV	DATE	BY	DESCRIPTION

DESIGNED: L. MANNING	SUBMITTED: THE ORIGINAL CONTRACT DOCUMENT WAS SIGNED BY SATISH KAMATH
DRAWN: L. MANNING	PROJECT ENGINEER: R. C. E. NO. DATE
CHECKED: J. STRASSLE	RECOMMENDED: THE ORIGINAL CONTRACT DOCUMENT WAS SIGNED BY JOSEPH A. WOJSLAW
	MONTGOMERY WATSON R. C. E. NO. DATE

**MONTGOMERY WATSON**  
Las Vegas, Nevada

MONTGOMERY WATSON  
3014 WEST CHARLESTON BLVD  
LAS VEGAS, NV 89102-1944  
(702) 878-8010

CITY OF LAS VEGAS  
BONANZA/MOJAVE WATER RESOURCE CENTER  
MECHANICAL DETAILS - 2  
DWG. 70  
GM-3  
513-64

26319