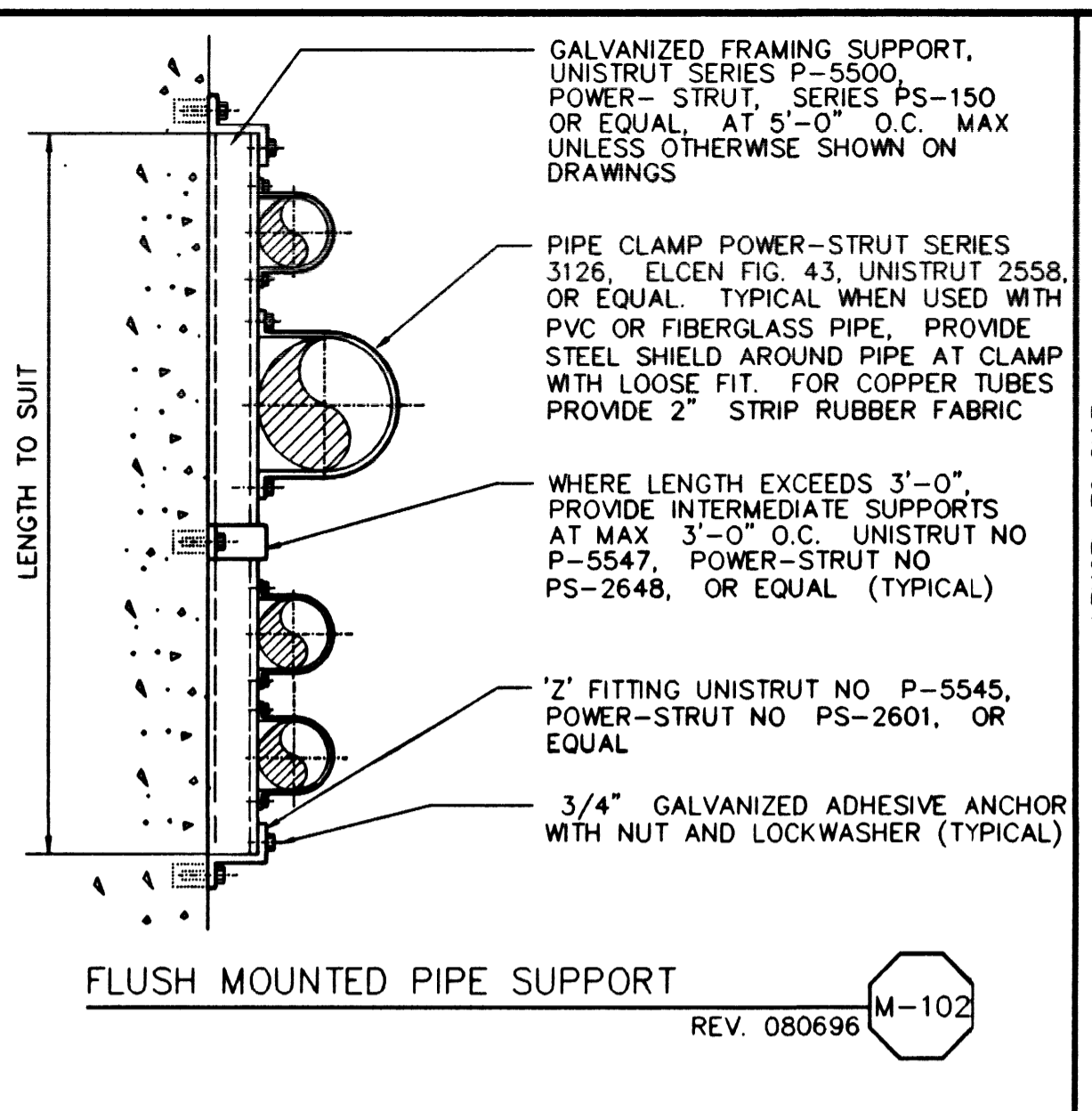
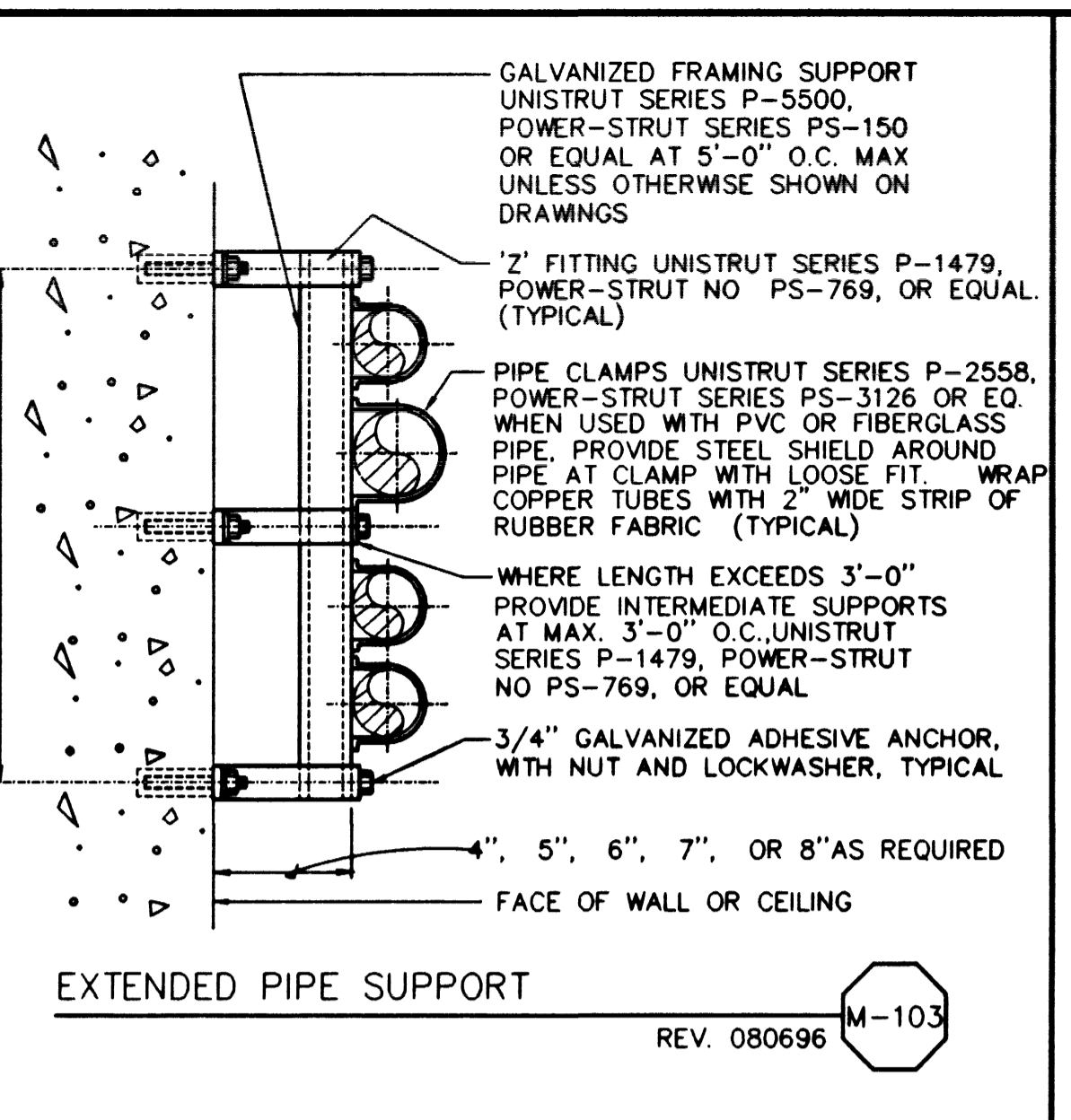


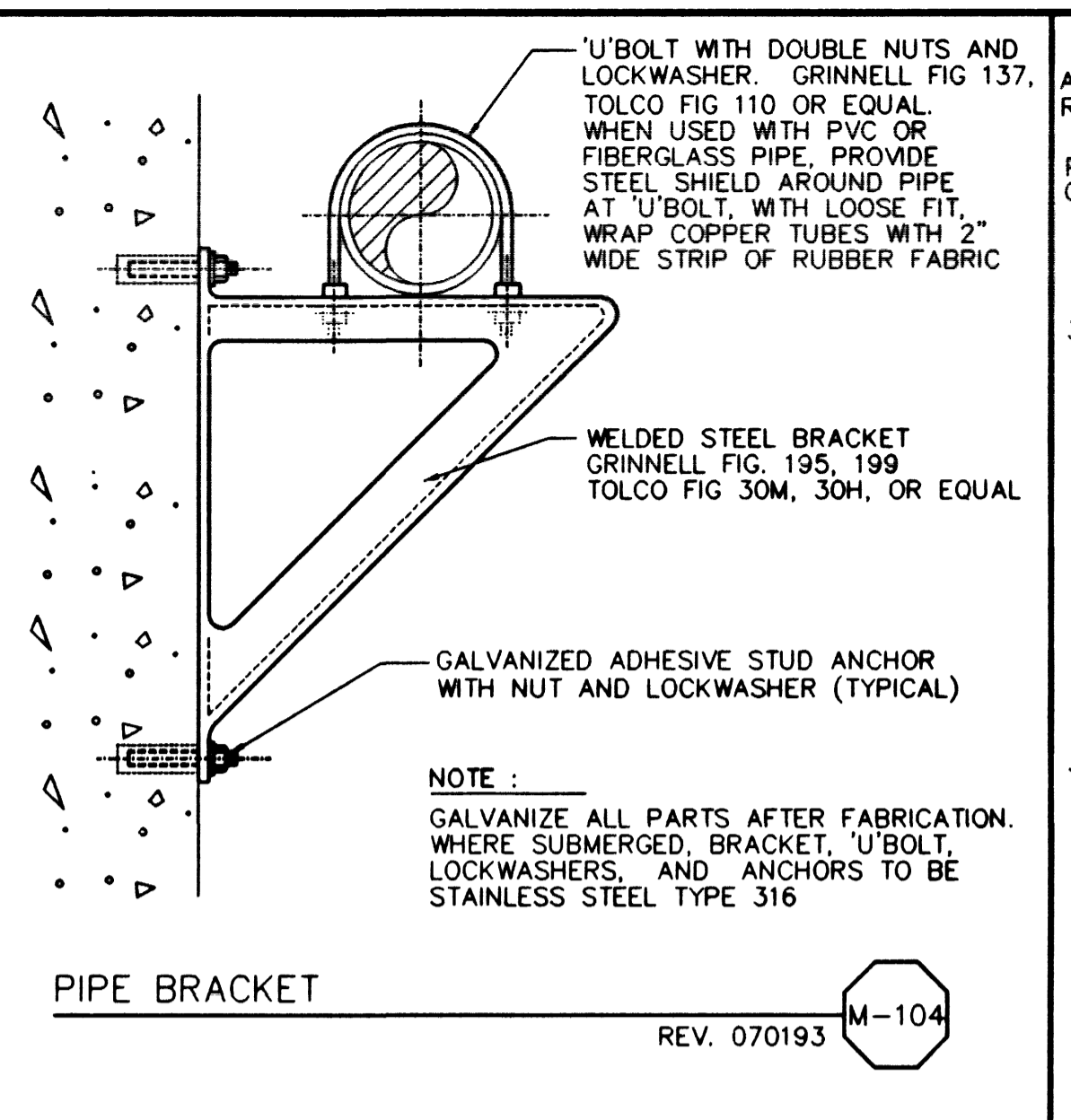
PIPE CLAMP
REV. 080696 M-101



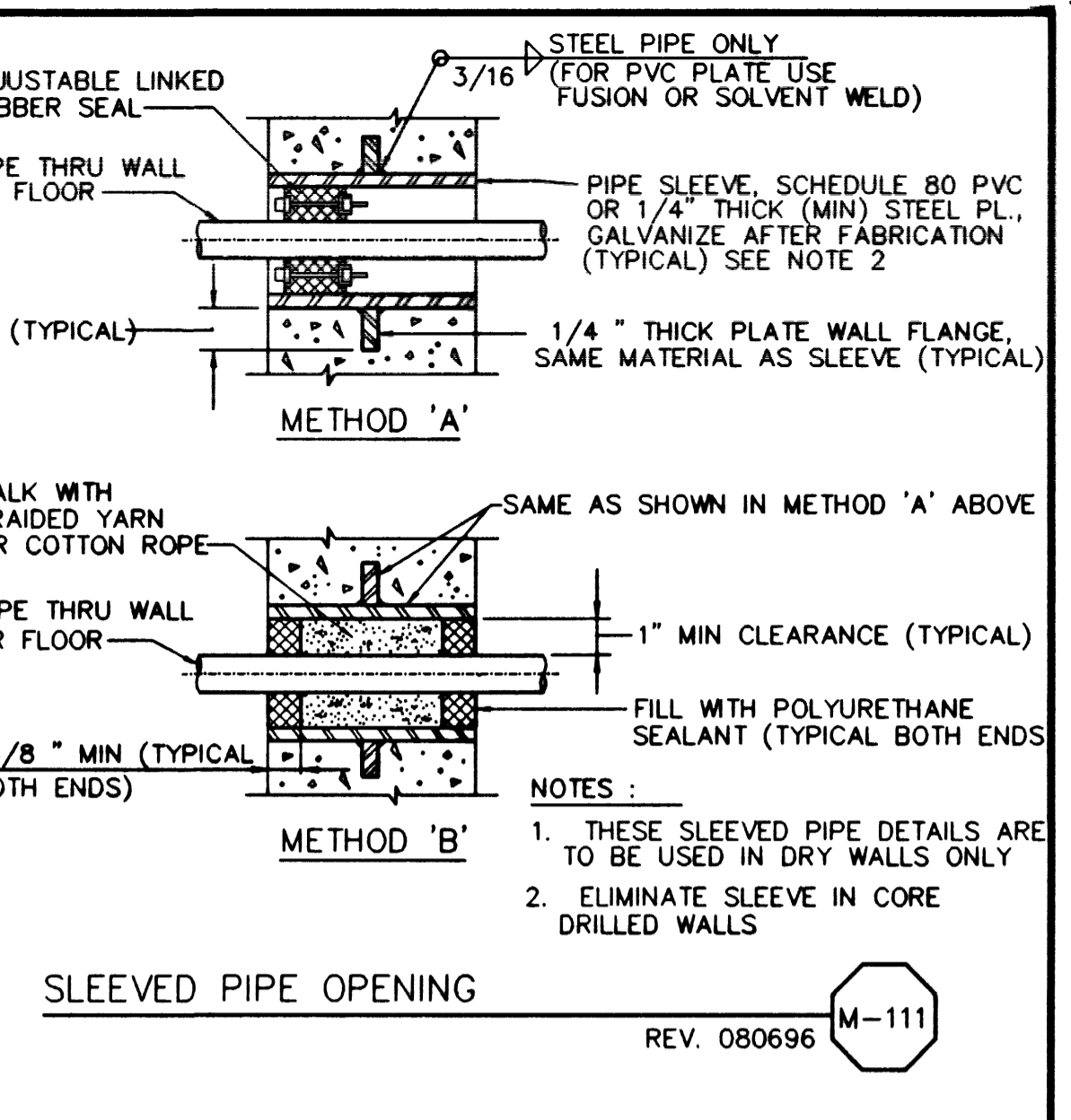
FLUSH MOUNTED PIPE SUPPORT
REV. 080696 M-102



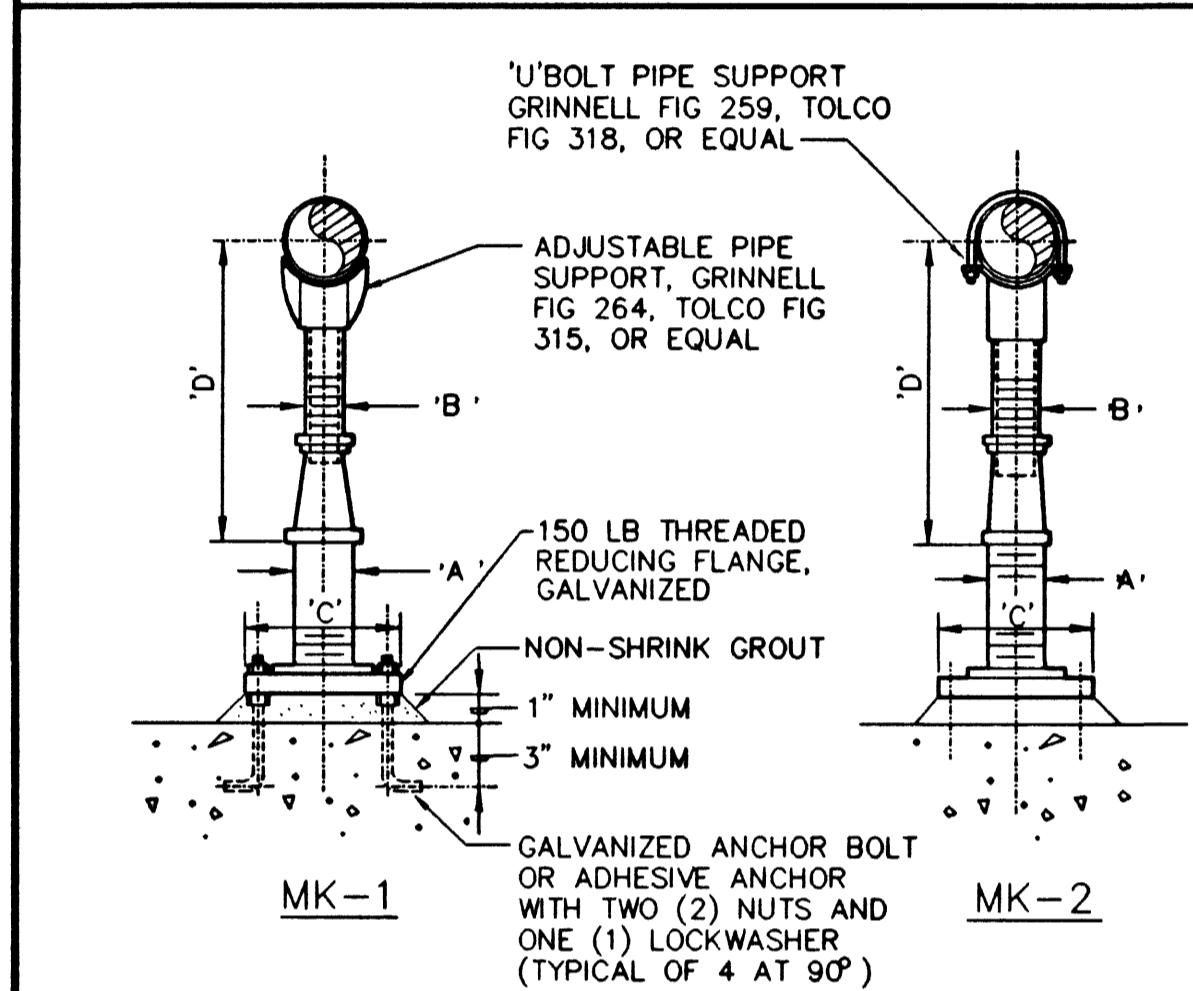
EXTENDED PIPE SUPPORT
REV. 080696 M-103



PIPE BRACKET
REV. 070193 M-104



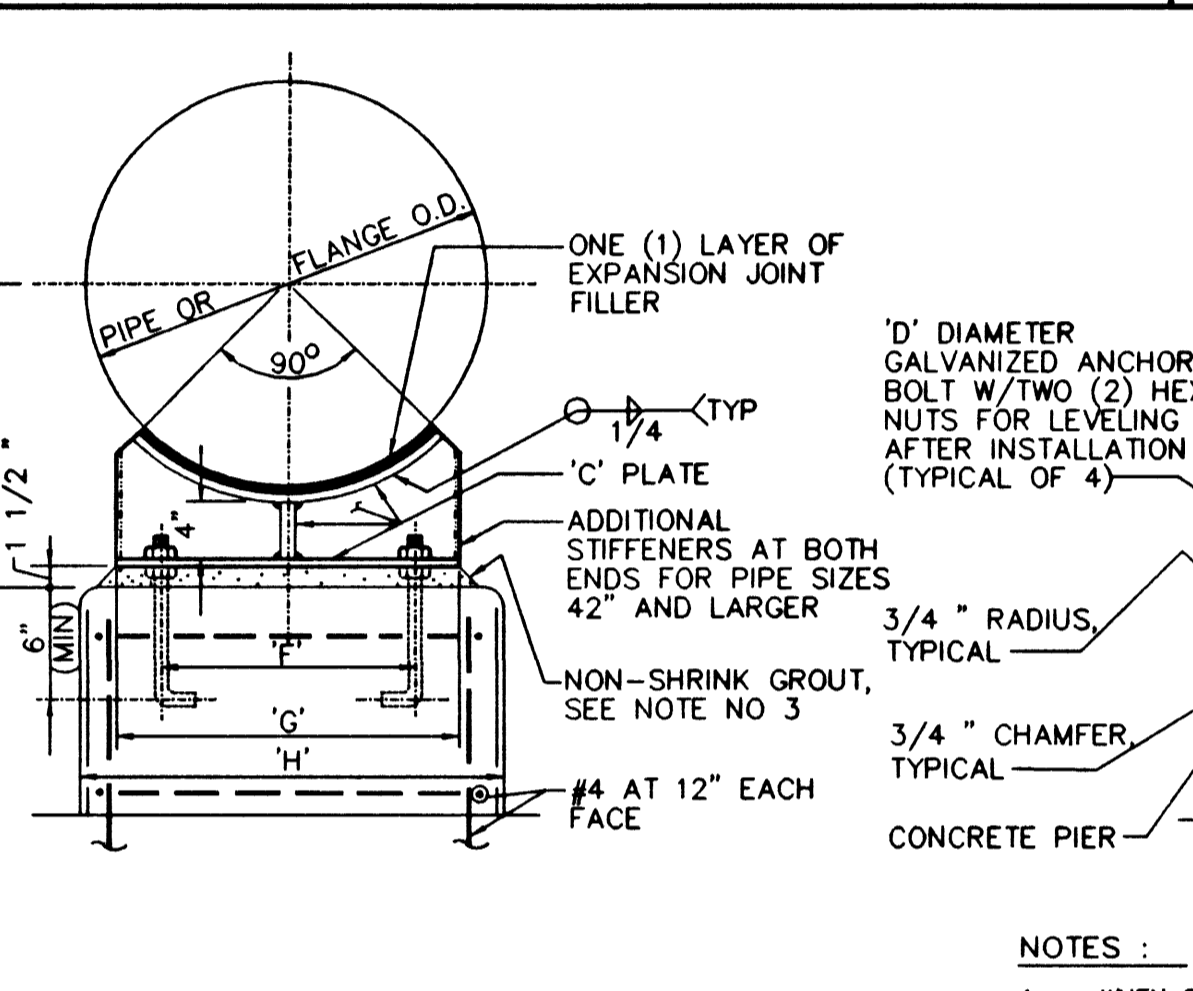
SLEEVED PIPE OPENING
REV. 080696 M-111



ADJUSTABLE PIPE SUPPORT WITH OR WITHOUT 'U' BOLT
REV. 080796 M-108

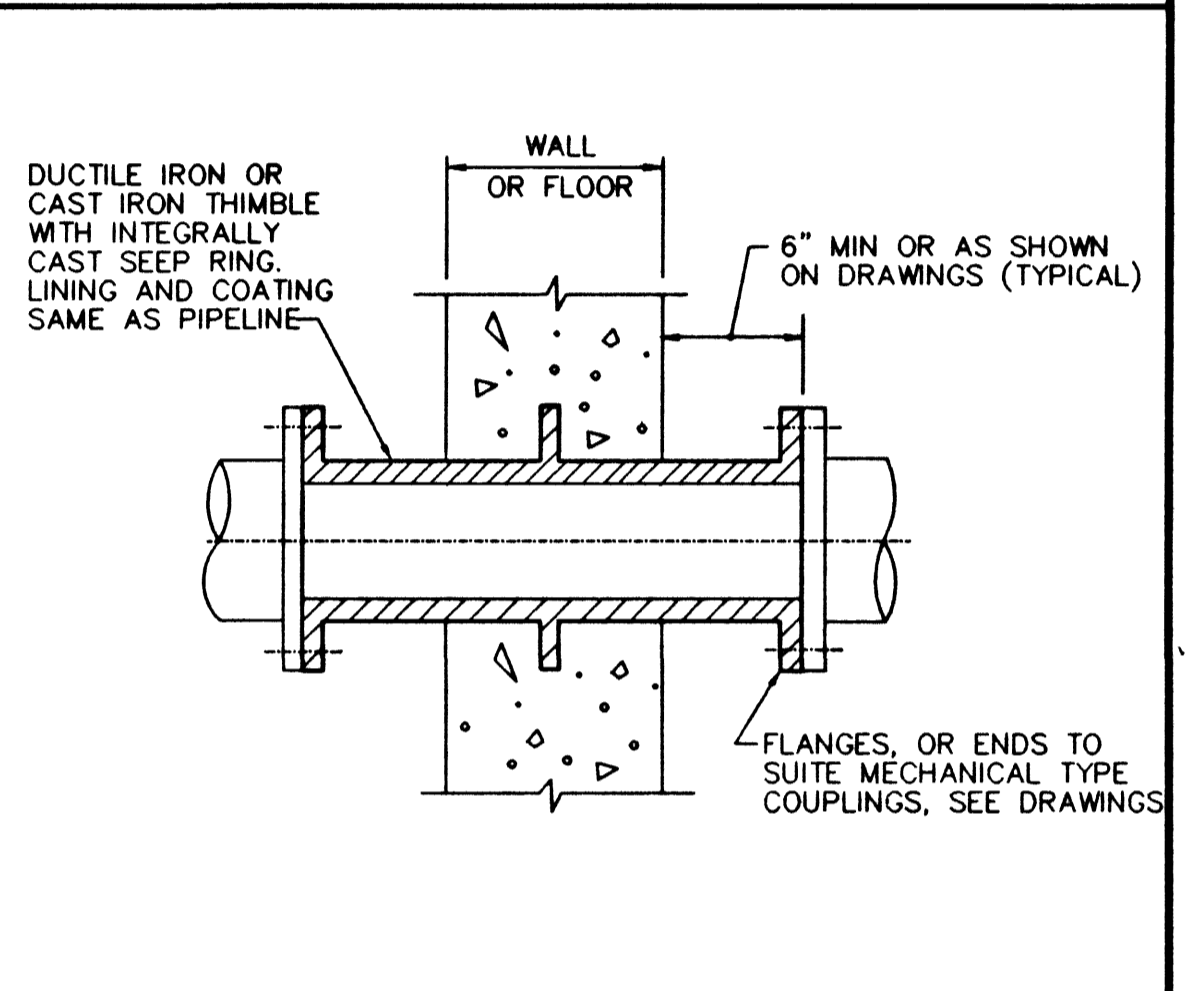
PIPE SIZE	ADJUSTABLE PIPE SUPPORT APPROXIMATE DIMENSIONS IN INCHES				
	'A'	'B'	'C'	'D' MINIMUM	'D' MAXIMUM
2-1/2	2-1/2	1-1/2	9	8	11-1/2
3	2-1/2	1-1/2	9	8-1/4	11-3/4
3-1/2	2-1/2	1-1/2	9	8-1/2	12
4	3	*2-1/2	9	10-1/4	14
6	3	*2-1/2	9	11-5/8	15-1/4
8	3	*2-1/2	9	13-5/8	16-1/2
10	3	*2-1/2	9	14-5/8	18-1/4
12	3	*2-1/2	9	15-5/8	19-3/4
14	4	3	11	18-7/8	20-3/4
16	4	3	11	19-7/8	22-1/4
18	6	3-1/2	13-1/2	21-1/4	24
20	6	3-1/2	13-1/2	23-1/4	25-1/2
24	6	4	13-1/2	26-1/2	28-1/4
30	6	4	13-1/2	29-5/8	31-1/2
32	6	4	13-1/2	30-5/8	32-3/4
36	6	4	13-1/2	32-5/8	34-3/4

*SEE MFR

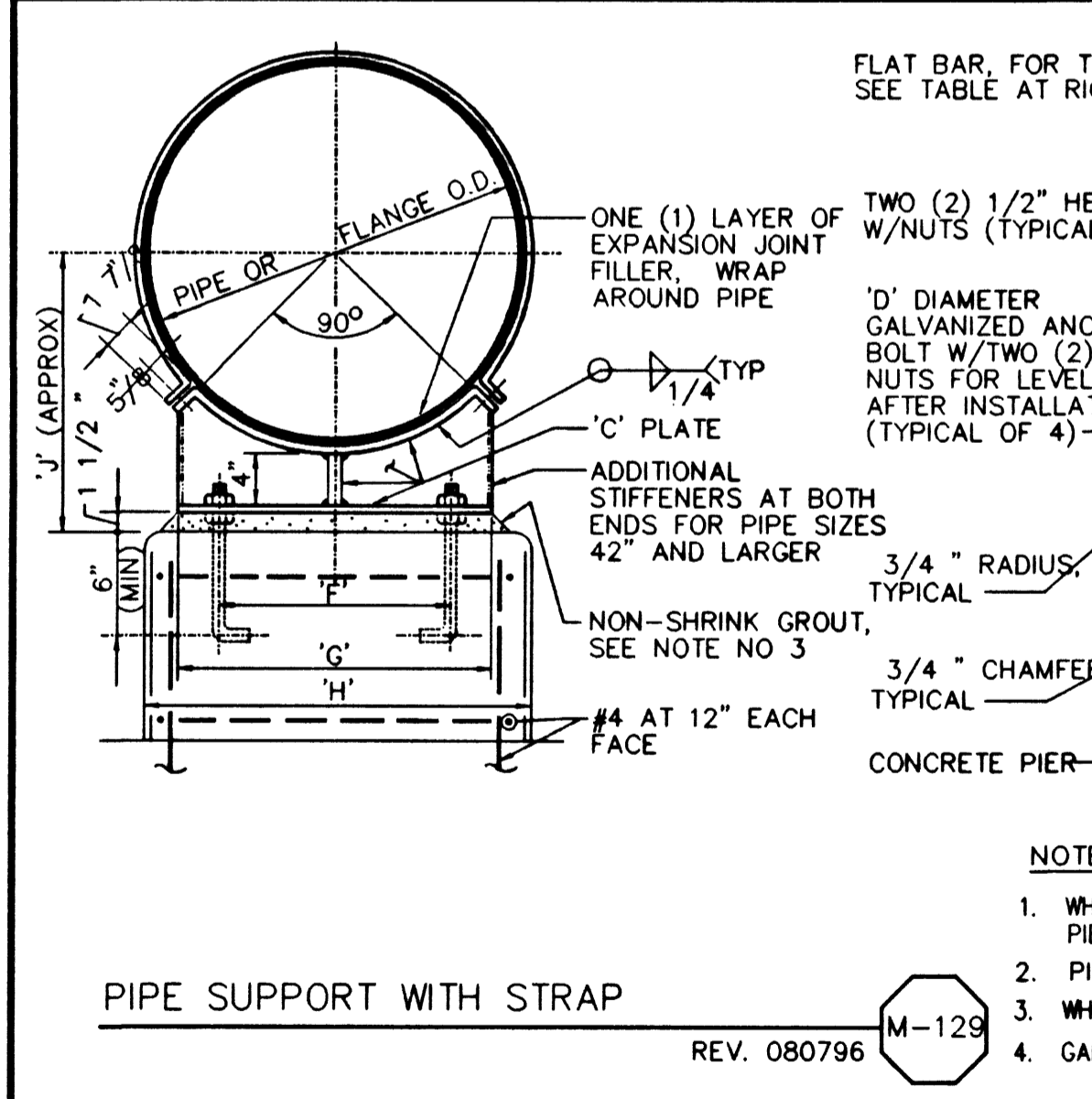


PIPE SUPPORT
REV. 080796 M-109

NOMINAL PIPE SIZE	DIMENSIONS IN INCHES											
	PIPE						FLANGE					
	'A'	'B'	'C'	'D'	'E'	'F'	'G'	'H'	'J'	'K'	'L'	'M'
6	4	12	3/8	5/8	6	4	7	6	12	10	6	13
8	4	12	3/8	5/8	6	5	8	13	11	7	2	14
10	4	12	3/8	5/8	6	6	9	15	12	9	13	15
12	4	12	3/8	5/8	6	7	11	17	13	10	15	16
14	4	12	3/8	5/8	6	8	12	17	14	11	16	17
16	4	12	3/8	5/8	6	9	13	19	15	12	18	18
18	4	12	3/8	5/8	6	10	14	20	16	13	19	19
20	5	12	3/8	5/8	6	10	15	21	17	14	20	21
22	5	12	3/8	5/8	6	12	18	24	18	16	23	22
24	5	12	3/8	5/8	6	13	19	24	19	16	24	23
26	5	12	3/8	5/8	6	14	21	27	20	18	26	24
30	5	12	3/8	5/8	6	16	23	28	22	20	29	26
34	5	15	3/8	3/4	6	18	26	32	24	22	33	29
36	6	15	3/8	3/4	6	19	27	32	25	24	34	30
42	6	18	1/2	1	8	21	31	36	28	27	39	33
48	6	18	1/2	1	8	24	36	42	31	30	44	37
54	6	18	1/2	1	8	28	40	46	34	34	48	40
60	6	18	1/2	1 1/8	8	32	45	52	37	36	54	44
66	6	18	1/2	1 1/8	8	33	46	56	40	40	59	47
72	6	18	1/2	1 1/8	8	36	53	60	43	44	63	50

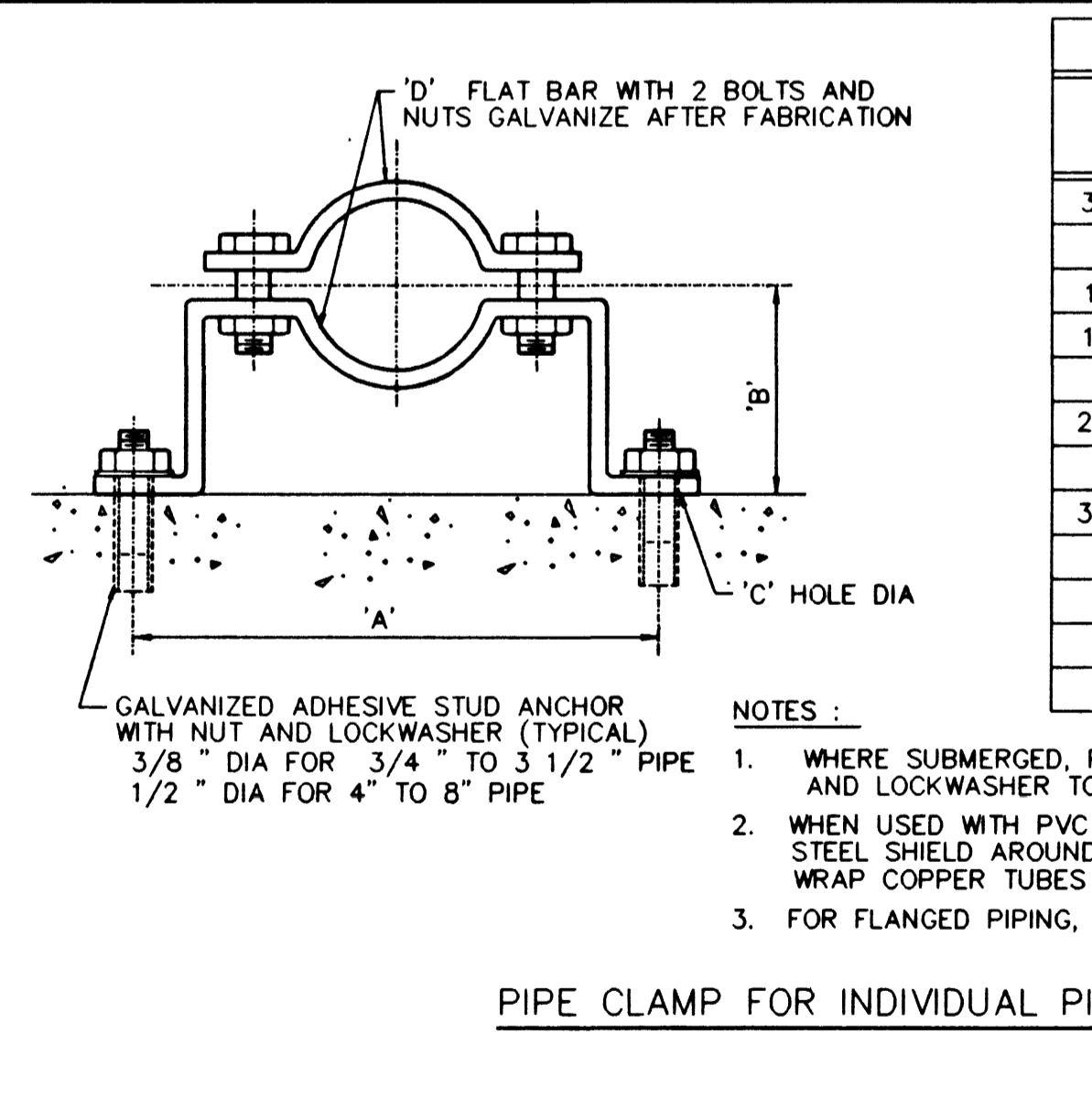


FLANGED OR GROOVED DUCTILE IRON OR CAST IRON THIMBLE
REV. 080696 M-116



PIPE SUPPORT WITH STRAP
REV. 080796 M-129

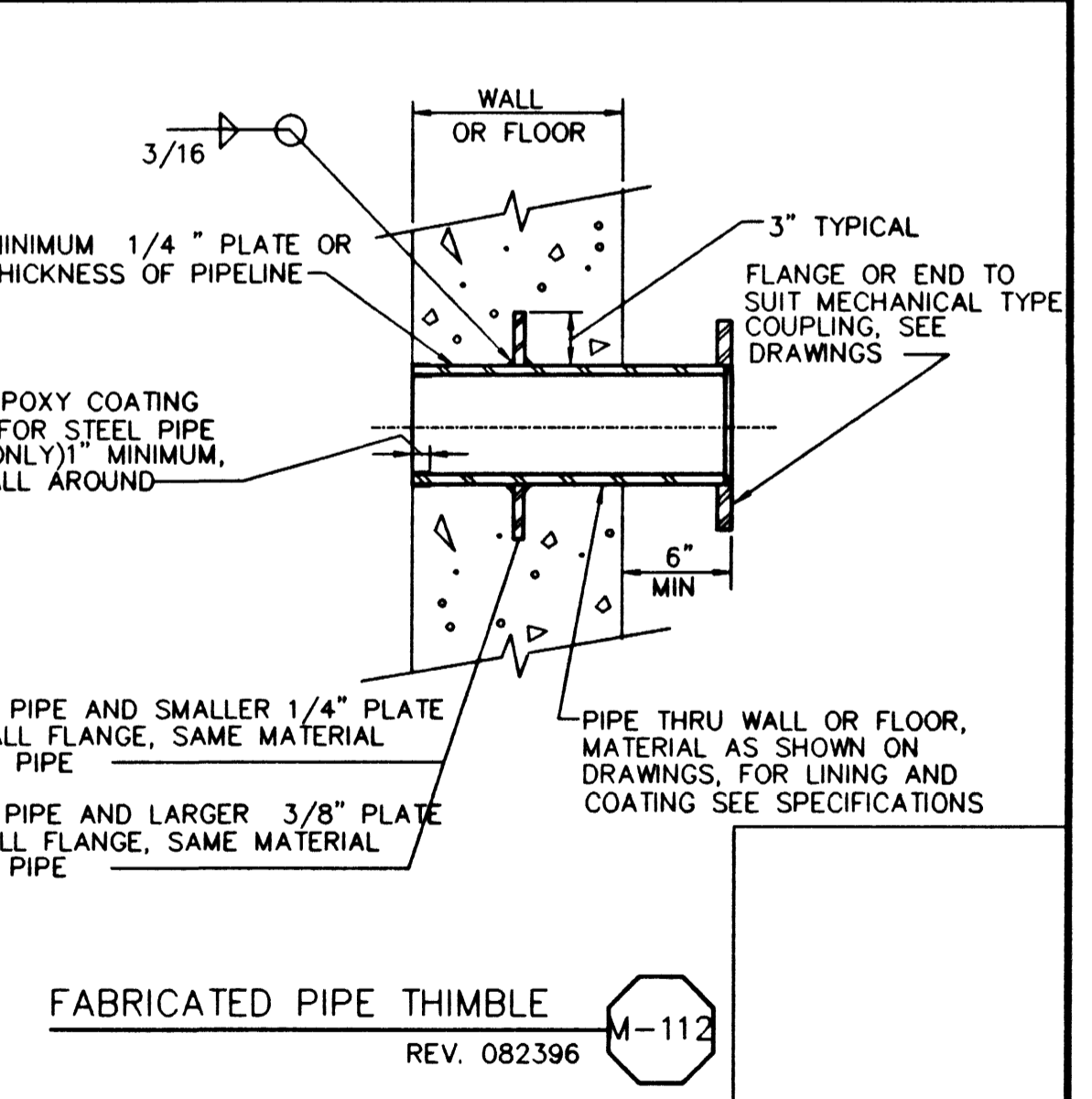
NOM. PIPE SIZE	DIMENSIONS IN INCHES											
	PIPE						FLANGE					
	'A'	'B'	'C'	'D'	'E'	'F'	'G'	'H'	'J'	'K'	'L'	'M'
6	4	12	3/8	5/8	6	4	7	6	12	10	6	13
8	4	12	3/8	5/8	6	5	8	13	11	7	2	14
10	4	12	3/8	5/8	6	6	9	15	12	9	13	15
12	4	12	3/8	5/8	6	7	11	17	13	10	15	16
14	4	12	3/8	5/8	6	8	12	17	14	11	16	17
16	4	12	3/8	5/8	6	9	13	19	15	12	18	18
18	4	12	3/8	5/8	6	10	14	20	16	13	19	19
20	5	12	3/8	5/8	6	10	15	21	17	14	20	21
22	5	12	3/8	5/8	6	12	18	24	18	16	23	22
24	5	12	3/8	5/8	6	13	19	24	19	16	24	23
26	5	12	3/8	5/8	6	14	21	27	20	18	26	24
30	5	15	3/8	3/4	6	16	23	28	22	20	29	26
34	5	15	3/8	3/4	6	18	26	32	24	22	33	29
36	6	15	3/8	3/4	6	19	27	32	25	24	34	30
42	6	18	1/2	1	8	21	31	36	28	27	39	33
48	6	18	1/2	1	8	24	36	42	31	30	44	37
54	6	18	1/2	1	8	28	40	46	34	34	48	40
60	6	18	1/2	1 1/8	8	32	45	52	37	36	54	44
66	6	18	1/2	1 1/8	8	33	46	56	40	40	59	47
72	6	18	1/2	1 1/8	8	36	53	60	43	44	63	50



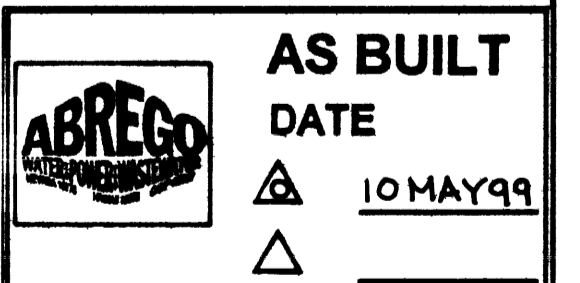
PIPE CLAMP FOR INDIVIDUAL PIPES
REV. 080696 M-131

PIPE DIA	DIMENSIONS IN INCHES					LOAD RATING LBS*
	'A'	'B' SEE NOTE 3 BELOW	'C' HOLE DIA	'D' FLAT BAR SIZE	'E'	
3/4	5-15/16	2-1/2	7/16	3/16 x 1-1/4		300
1	6-1/4	2-5/8	7/16	3/16 x 1-1/4		300
1-1/4	6-11/16	2-3/4	7/16	3/16 x 1-1/4		300
1-1/2	6-15/16	3	7/16	3/16 x 1-1/4		300
2	8-5/16	3-3/16	7/16	1/4 x 1-1/4		500
2-1/2	8-7/8	3-7/16	7/16	1/4 x 1-1/4		500
3	9-1/8	3-3/4	7/16	1/4 x 1-1/4		500
3-1/2	10-1/16	4	7/16	1/4 x 1-1/4		500
4	10-9/16	4-1/4	9/16	1/4 x 1-1/2		600
5	11-3/4	4-3/4	9/16	1/4 x 1-1/2		600
6	14-3/8	5-5/16	9/16	3/8 x 1-1/2		850
8	16-5/8	6-5/16	9/16	3/8 x 1-1/2		850

*SAFETY FACTOR OF 5



FABRICATED PIPE THIMBLE
REV. 082396 M-112



THE ORIGINAL CONTRACT DOCUMENT WAS SEALED AND SIGNED BY CONSTANTINO M. SENON

MONTGOMERY WATSON
3014 WEST CHARLESTON BLVD
LAS VEGAS, NV 89102-1944
(702) 878-8010

CITY OF LAS VEGAS
BONANZA/MOJAVE WATER RESOURCE CENTER
MECHANICAL DETAILS - 1
DWG. 20
GM-2
513-69

DATE/TIME DD-MMM-YYYY HH:MM

FILE No. \\server\directory\filename*****

JOB No.

REV	DATE	BY	DESCRIPTION

SCALE: NONE
WARNING: IF THIS BAR DOES NOT MEASURE 1\"/>

DESIGNED: L. MANNING
DRAWN: L. MANNING
CHECKED: J. STRASSLE
SUBMITTED: THE ORIGINAL CONTRACT DOCUMENT WAS SIGNED BY SATISH KAMATH
PROJECT ENGINEER: R. C. E. NO. DATE
RECOMMENDED: THE ORIGINAL CONTRACT DOCUMENT WAS SIGNED BY JOSEPH A. WOJSLAW
MONTGOMERY WATSON: R. C. E. NO. DATE



COPYRIGHT © 1996 BY MONTGOMERY WATSON
ALL RIGHTS RESERVED

26314