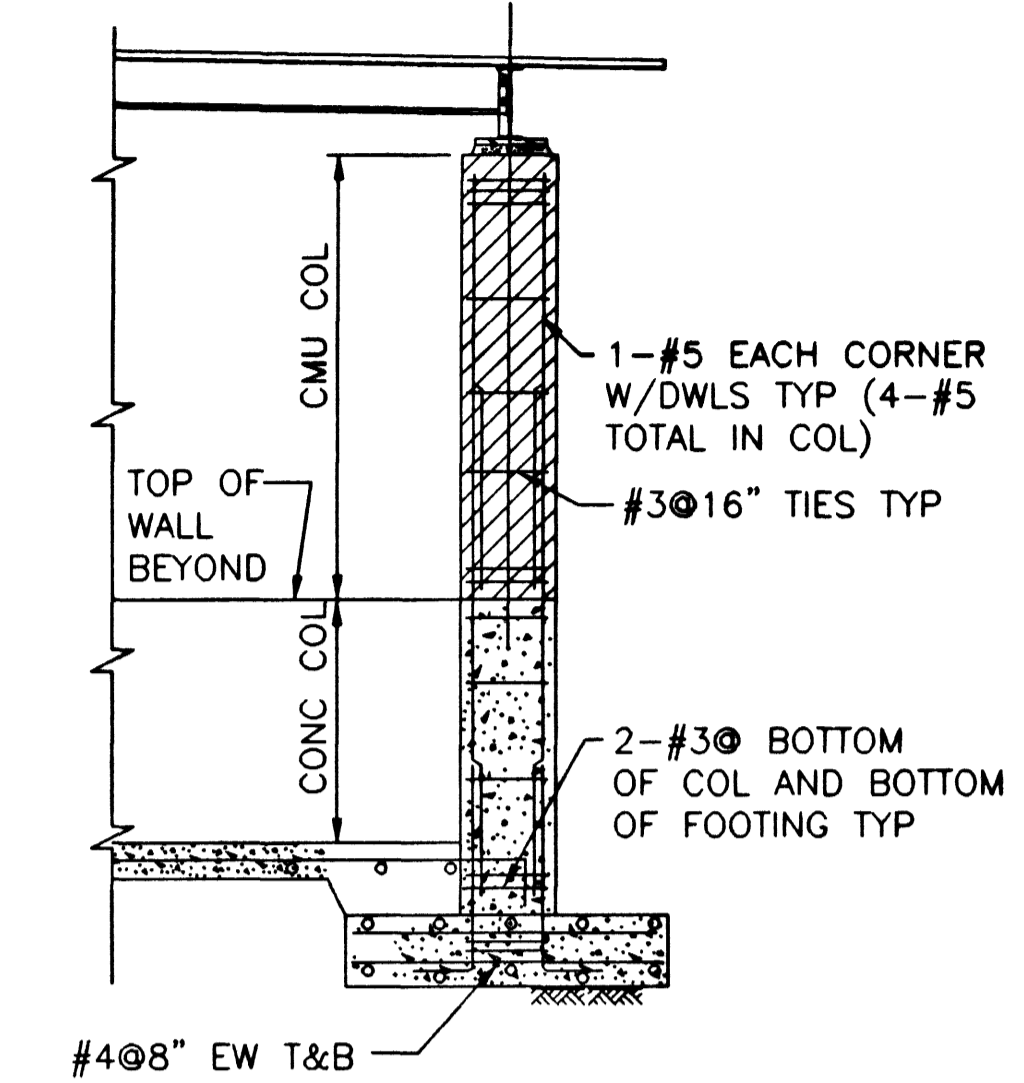
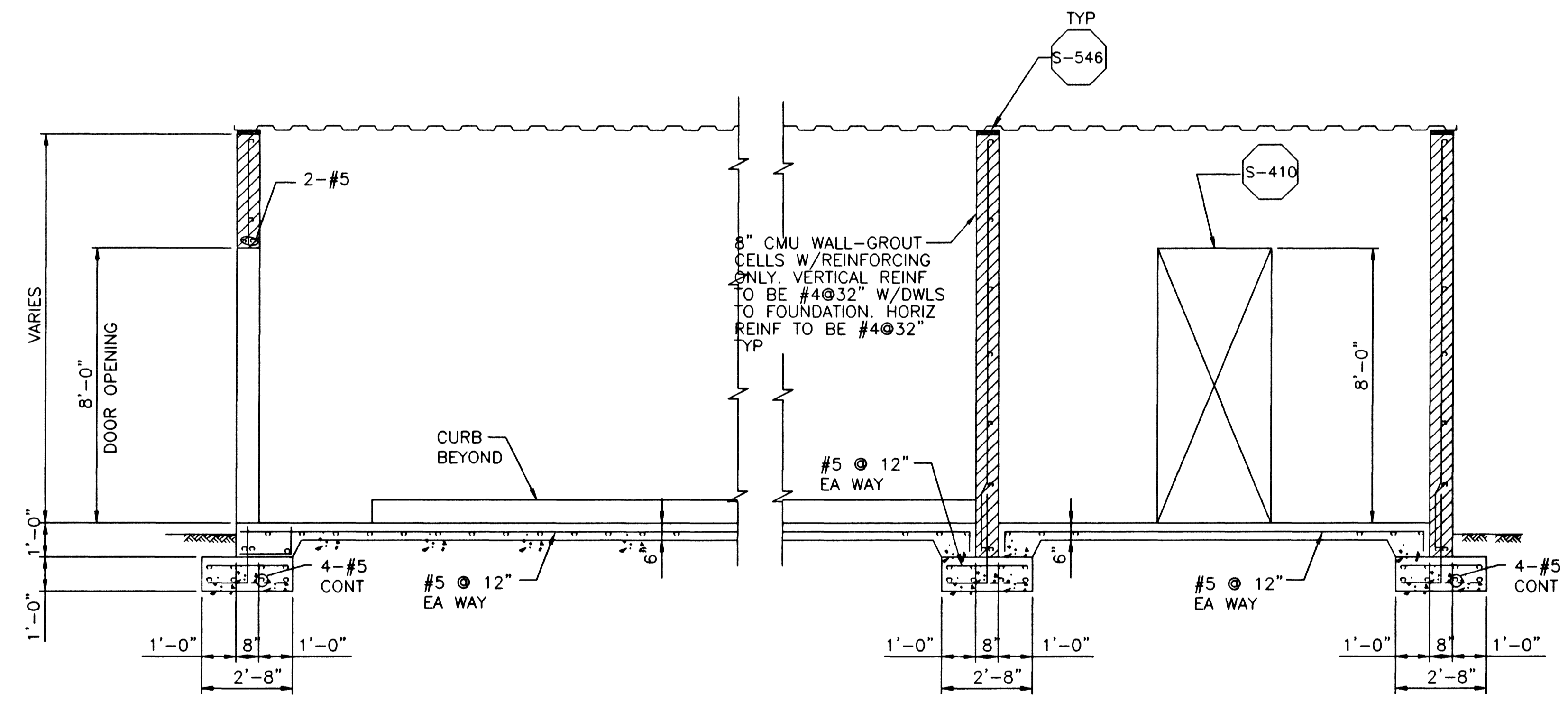


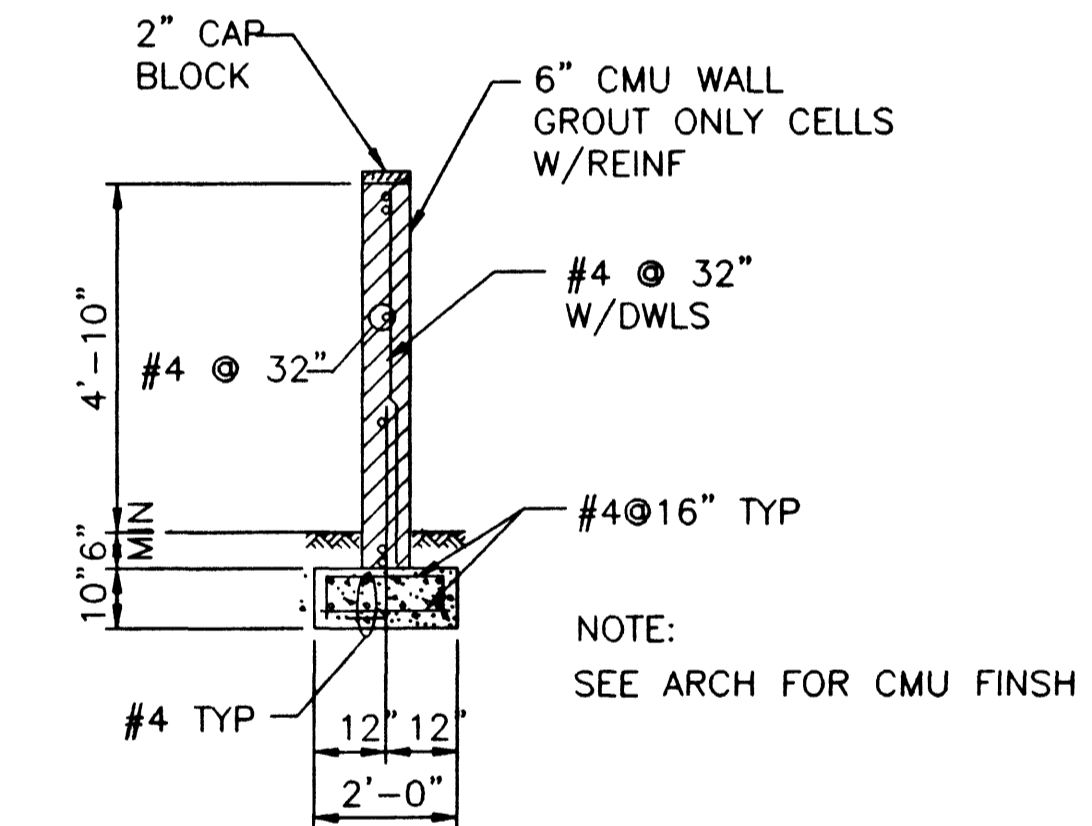
SECTION 1  
SCALE : 3/8" = 1'-0" 7S-1



SECTION 3  
SCALE : 3/8" = 1'-0" 7S-1



SECTION 2  
SCALE : 3/8" = 1'-0" 7S-1



SECTION 4  
SCALE : 3/8" = 1'-0" 7S-1

DATE/TIME DD-MMM-YYYY HH:MM

FILE No. P:\proj\wvrf\str\brm0\*8\*.dgn

REV	DATE	BY	DESCRIPTION

SCALE: AS SHOWN  
 WARNING: IF THIS BAR DOES NOT MEASURE 1" THEN DRAWING IS NOT TO SCALE.

DESIGNED: [ ]  
 DRAWN: [ ]  
 CHECKED: C. LEE

SUBMITTED THE ORIGINAL CONTRACT DOCUMENT WAS SIGNED BY SAM T. MOUAWAD  
 PROJECT ENGINEER R. C. E. NO. DATE  
 RECOMMENDED THE ORIGINAL CONTRACT DOCUMENT WAS SIGNED BY VICKY J. SCHARNHORST  
 MONTGOMERY WATSON R. C. E. NO. DATE



**MONTGOMERY WATSON**  
Las Vegas, Nevada

MONTGOMERY WATSON  
 3014 WEST CHARLESTON BLVD  
 LAS VEGAS, NV 89102-1944  
 (702) 878-8010  
 COPYRIGHT © 1996 BY MONTGOMERY WATSON  
 ALL RIGHTS RESERVED

CITY OF LAS VEGAS  
 BONANZA/MOJAVE WATER RESOURCE CENTER  
 CHEMICAL BUILDING  
 SECTIONS AND DETAILS

**AS BUILT**  
 DATE: 13 APR 99  
 THE ORIGINAL CONTRACT DOCUMENT WAS SEALED AND SIGNED BY SAM T. MOUAWAD

DWG. 7S-2  
 513-64

26309