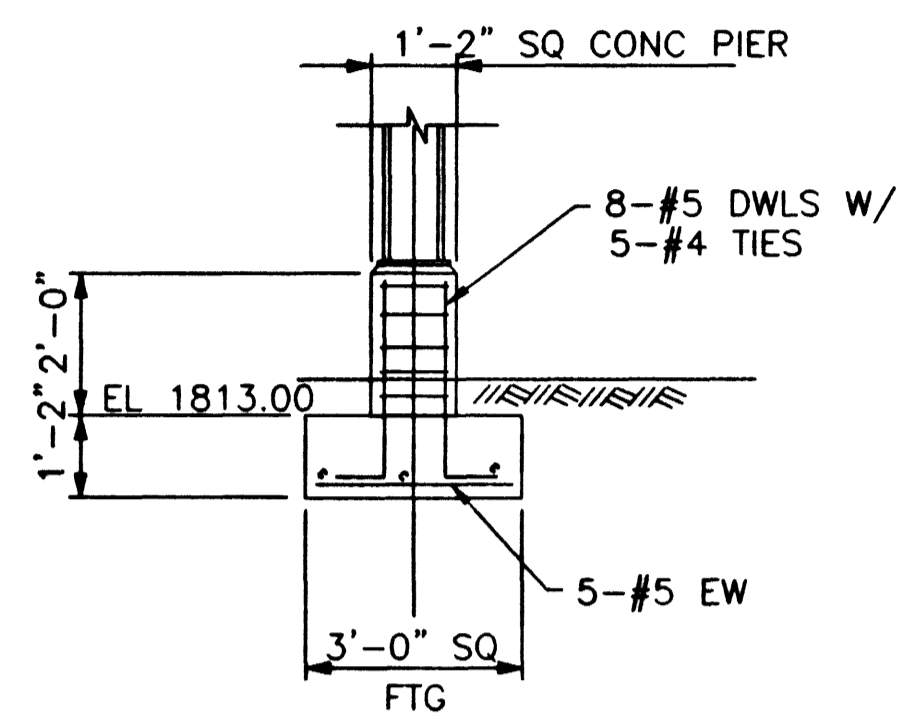


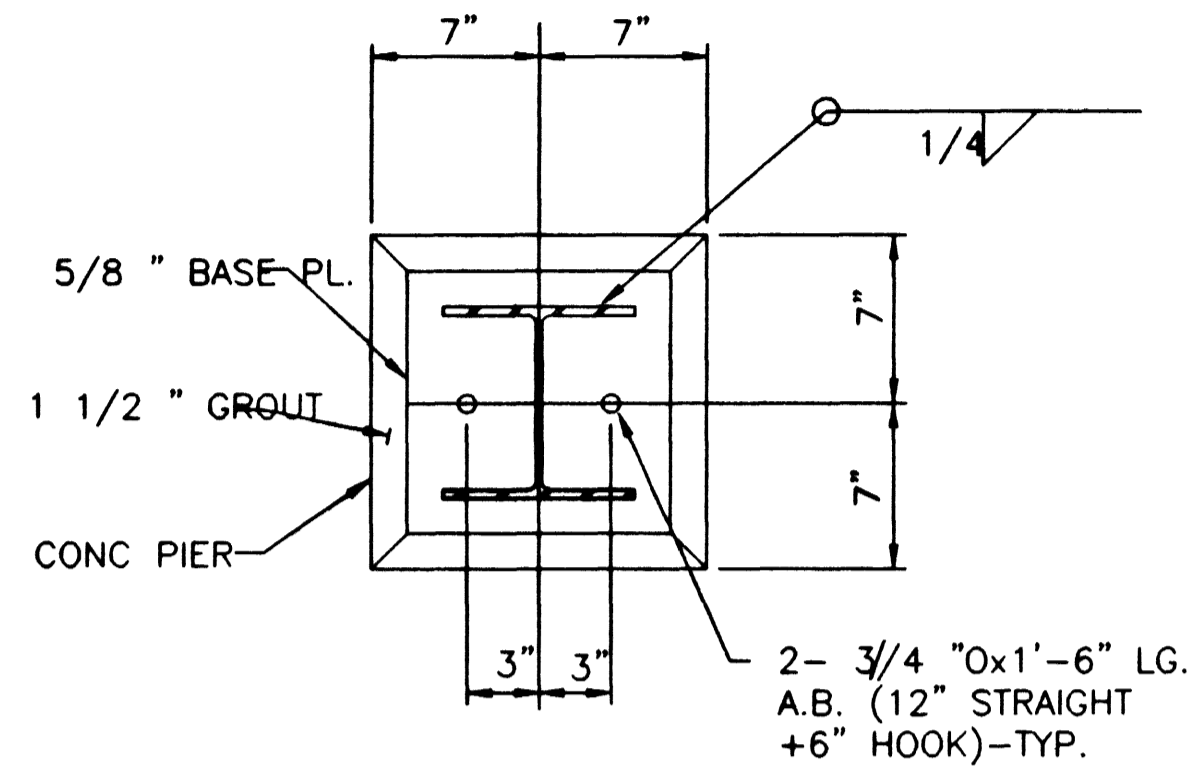
DATE/TIME DD-MMM-YYYY HH:MM

FILE No. P:\proj\lwr\at\bzm0*.dgn

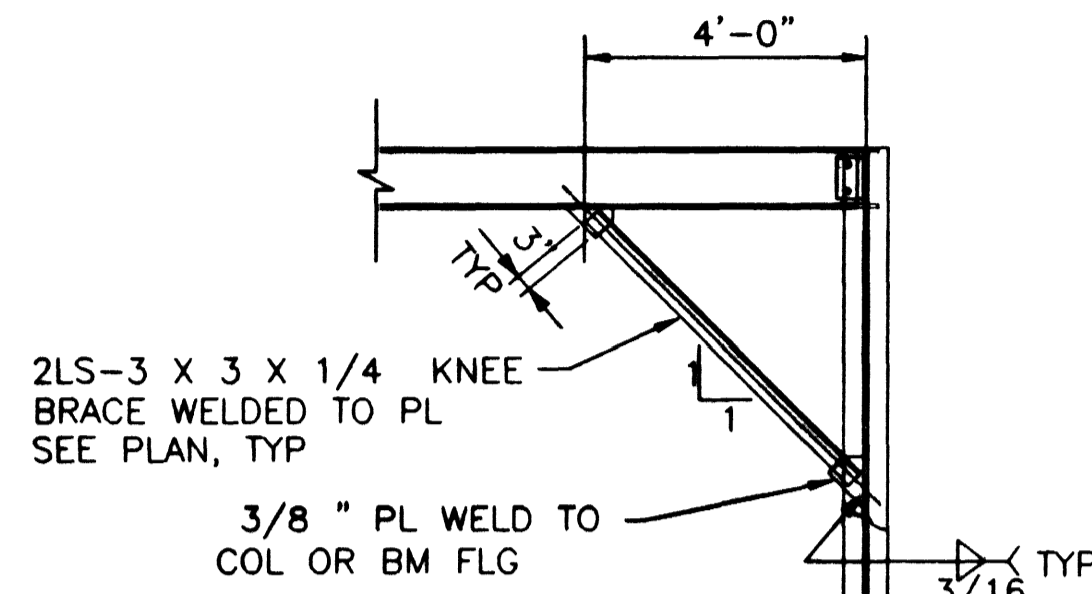
JOB No.



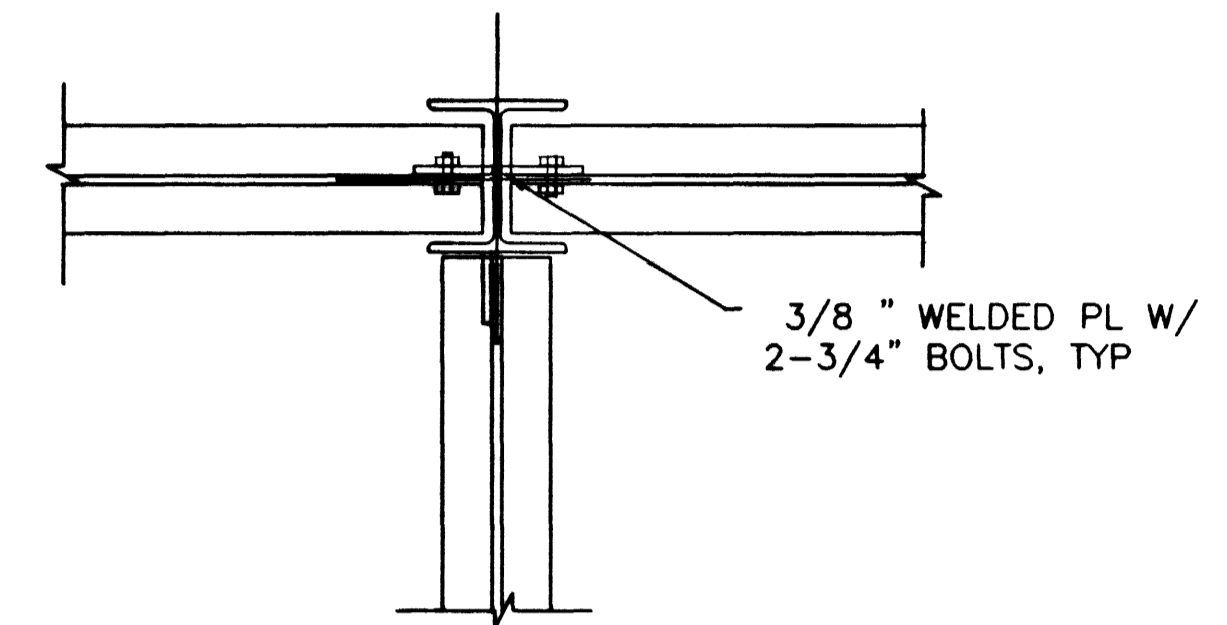
DETAIL A
SCALE: 3/8" = 1'-0" 6S-1



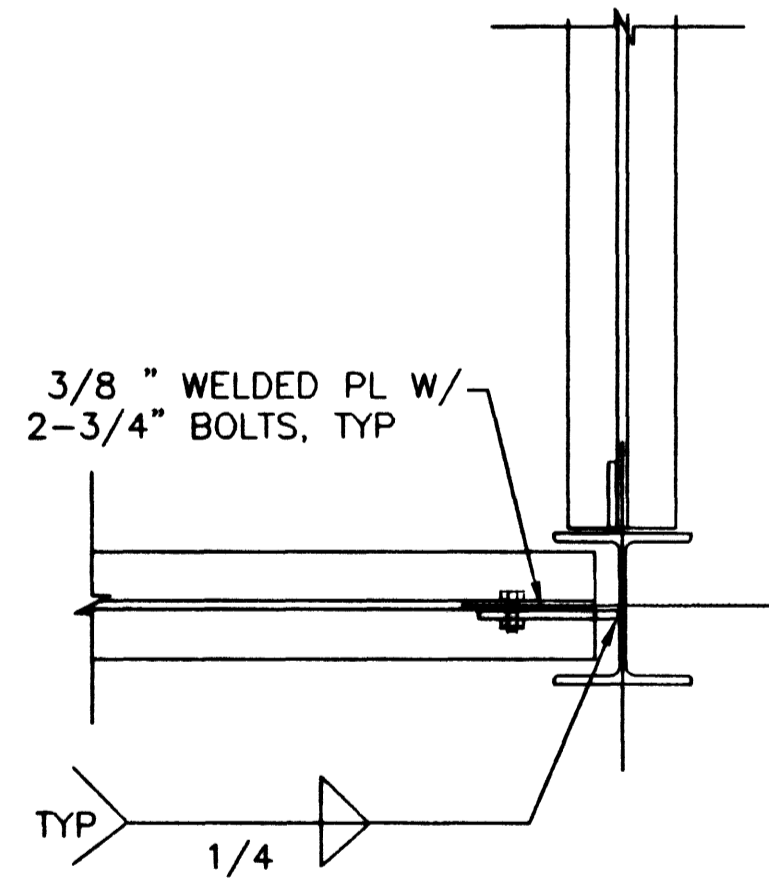
DETAIL B
SCALE: 1 1/2" = 1'-0" 6S-1



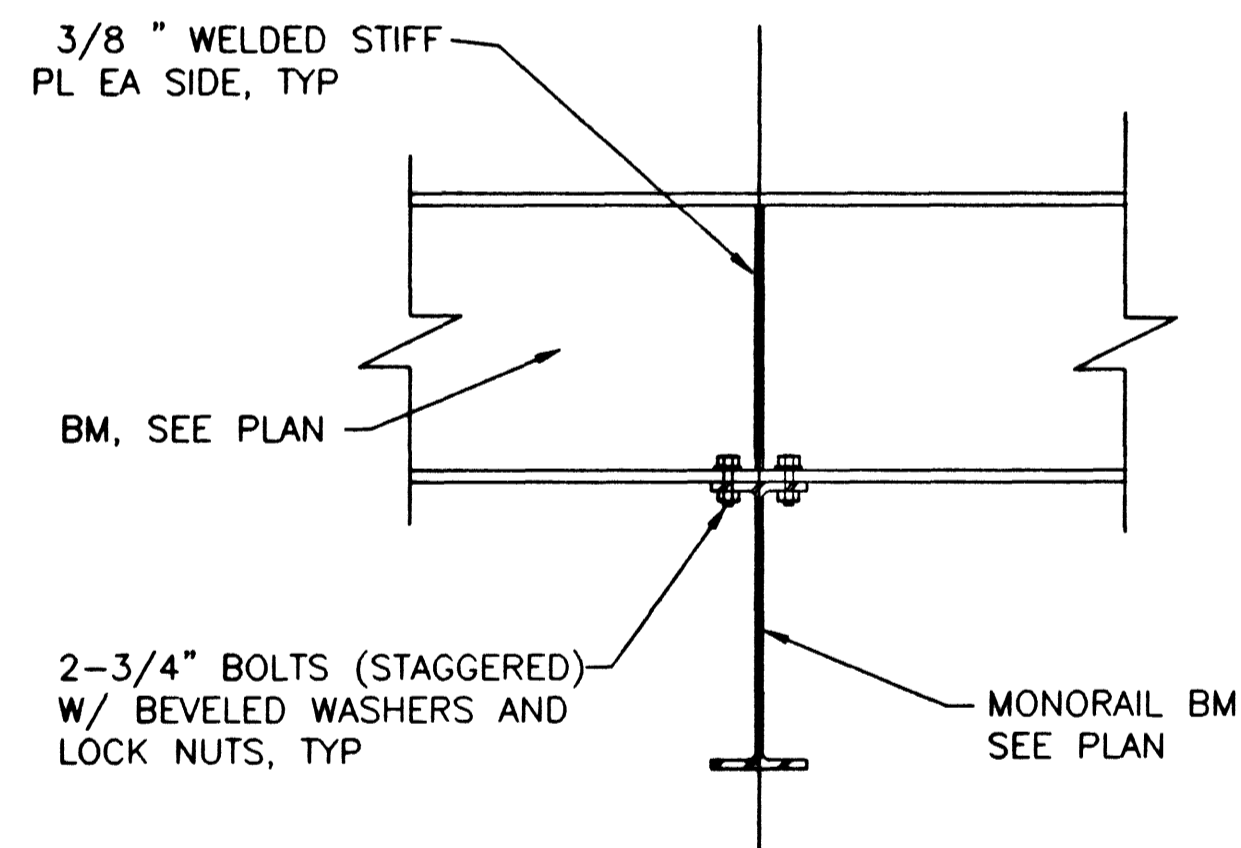
DETAIL C
SCALE: 3/8" = 1'-0" 6S-1



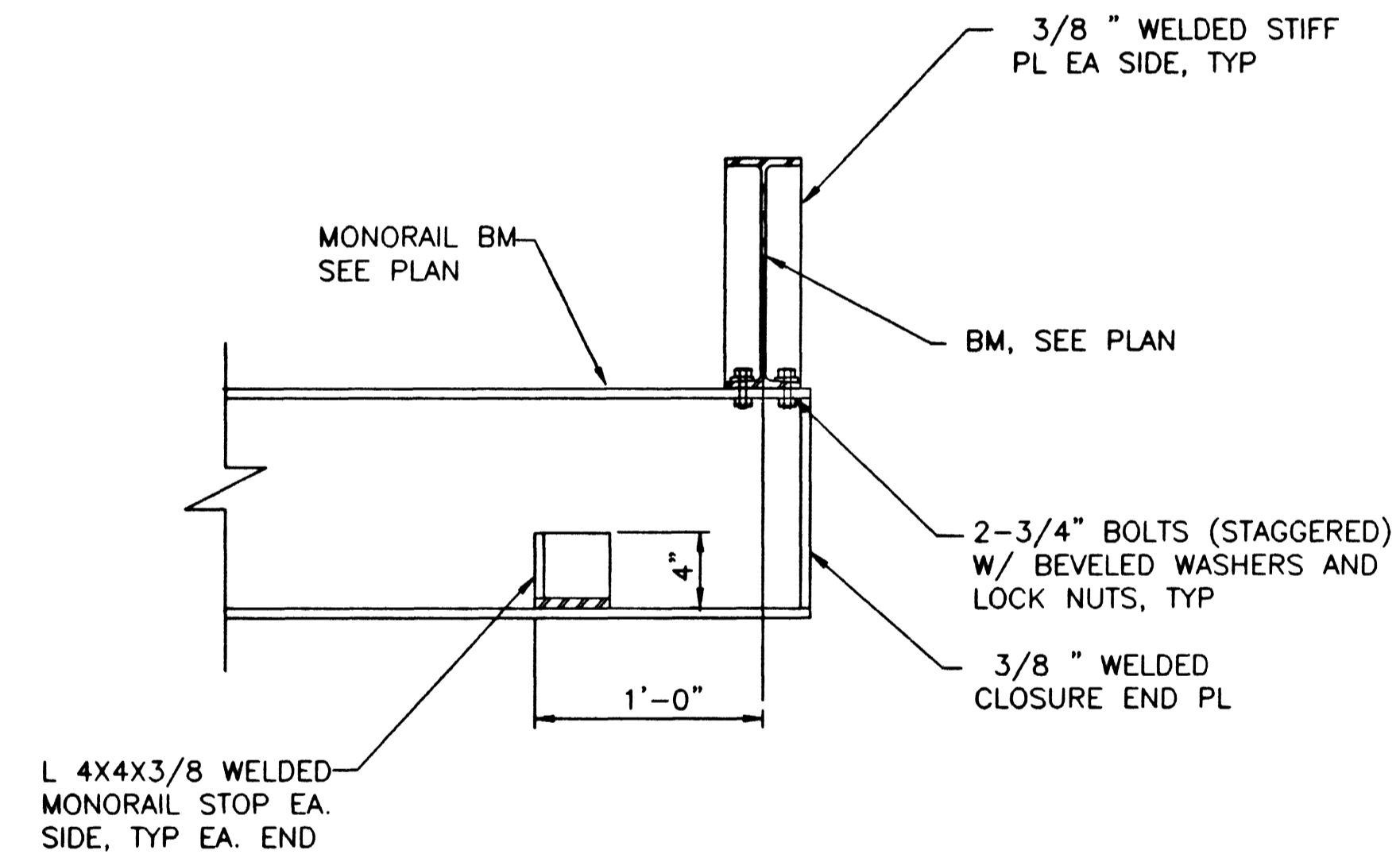
DETAIL D
NOT TO SCALE 6S-1



DETAIL E
NOT TO SCALE 6S-1



DETAIL F
NOT TO SCALE 6S-1



DETAIL G
NOT TO SCALE 6S-1

AS BUILT
DATE
11 APR 99

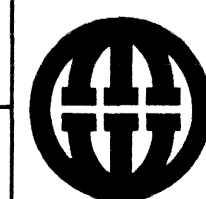
THE ORIGINAL CONTRACT DOCUMENT WAS SEALED AND SIGNED BY SAM T. MOUAWAD

REV	DATE	BY	DESCRIPTION

SCALE: AS NOTED
WARNING: IF THIS BAR DOES NOT MEASURE 1" THEN DRAWING IS NOT TO SCALE.

DESIGNED: _____
DRAWN: _____
CHECKED: C. LEE

SUBMITTED: THE ORIGINAL CONTRACT DOCUMENT WAS SIGNED BY SAM T. MOUAWAD
PROJECT ENGINEER: R. C. E. NO. DATE
RECOMMENDED: THE ORIGINAL CONTRACT DOCUMENT WAS SIGNED BY VICKY J. SCHARNHORST
MONTGOMERY WATSON: R. C. E. NO. DATE



MONTGOMERY WATSON
Las Vegas, Nevada

MONTGOMERY WATSON
3014 WEST CHARLESTON BLVD
LAS VEGAS, NV. 89102-1944
(702) 878-8010
COPYRIGHT © 1996 BY MONTGOMERY WATSON
ALL RIGHTS RESERVED

CITY OF LAS VEGAS
BONANZA/MOJAVE WATER RESOURCE CENTER
UV DISINFECTION SYSTEM
DETAILS

DWG. 62
6S-3
513-64