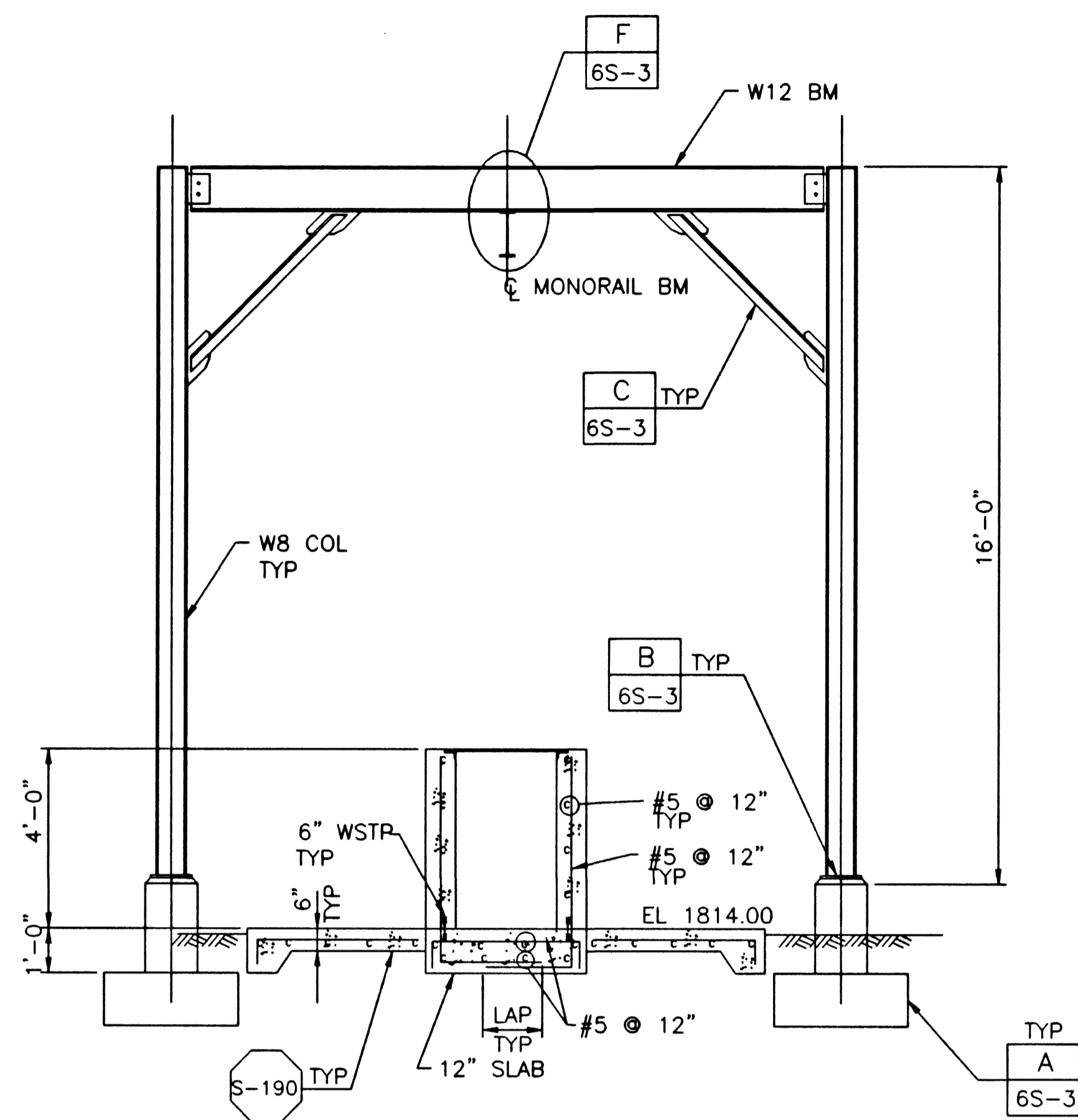
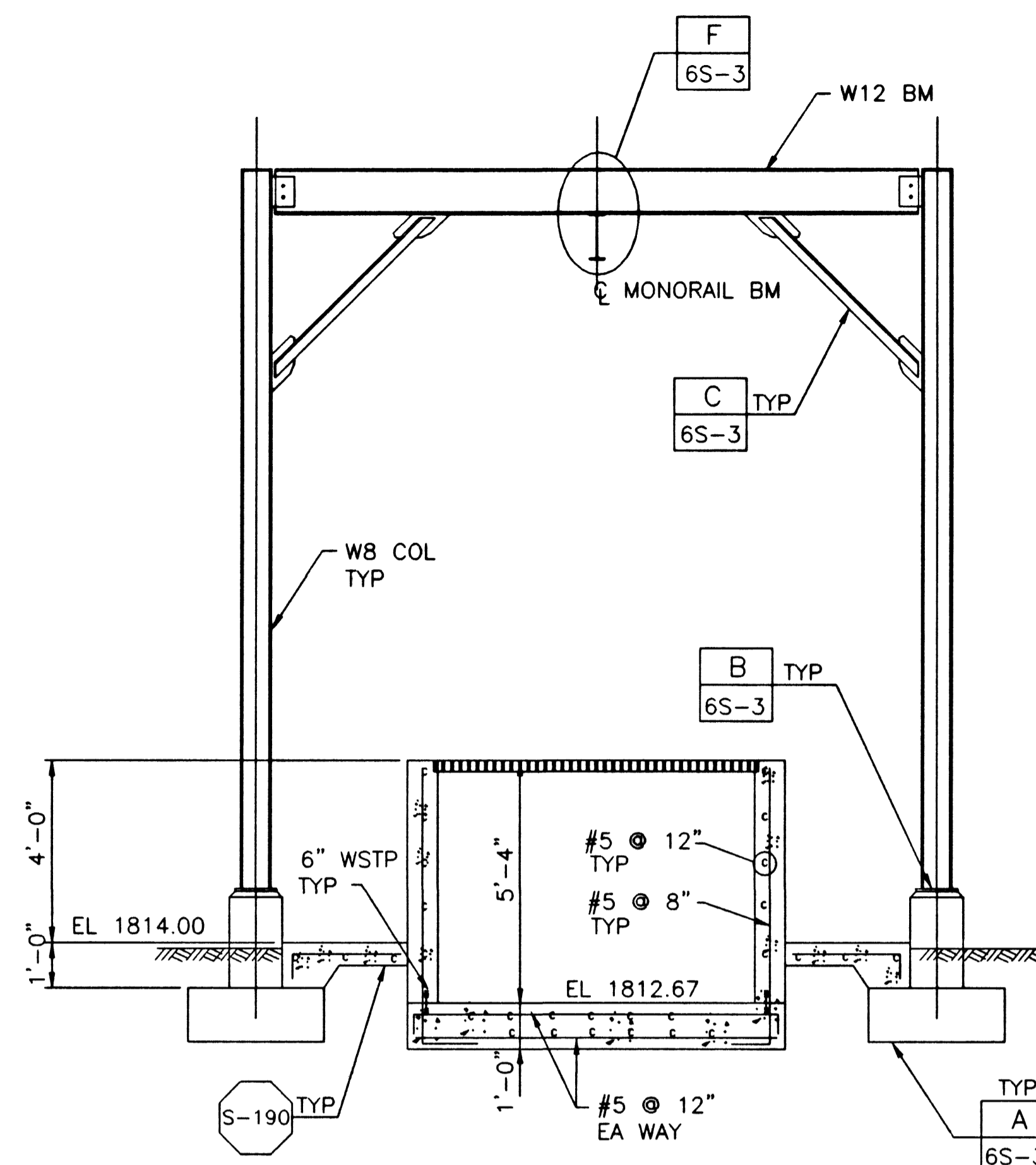


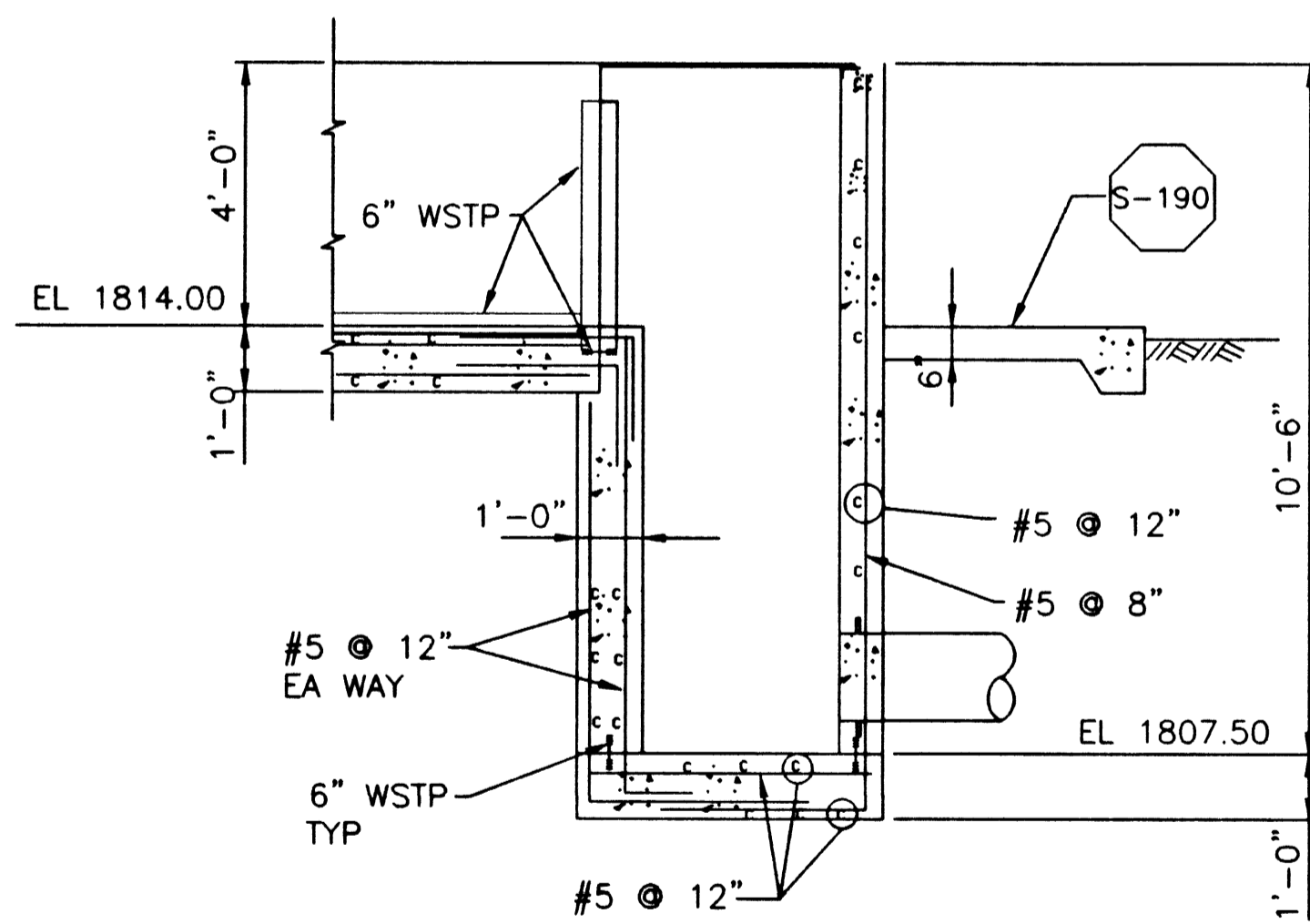
DATE/TIME DD-MMM-YYYY HH:MM
 FILE No. P:\proj\lvwr\str\lbrm0**.dgn
 JOB No.



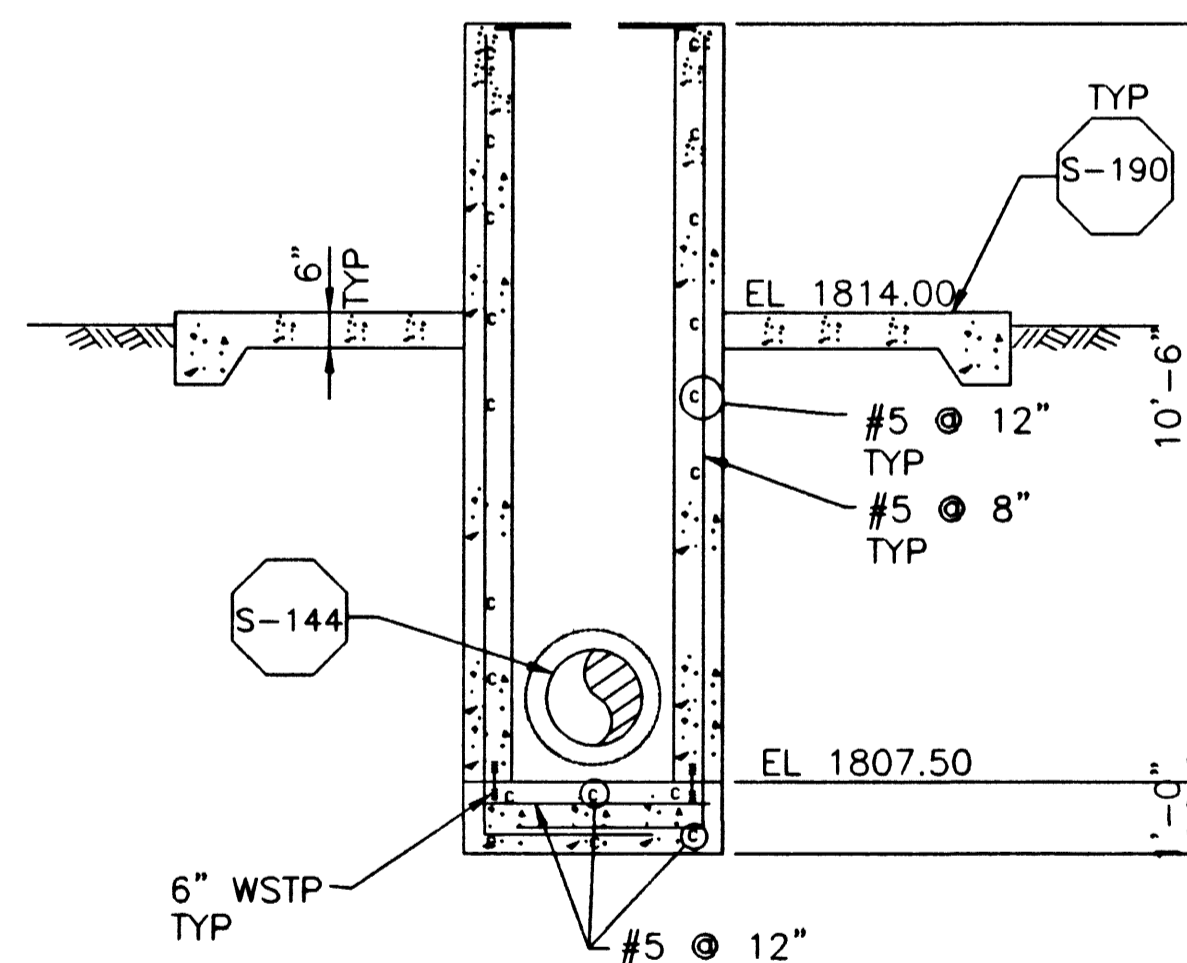
SECTION 1
 SCALE: 3/8" = 1'-0" 6S-1



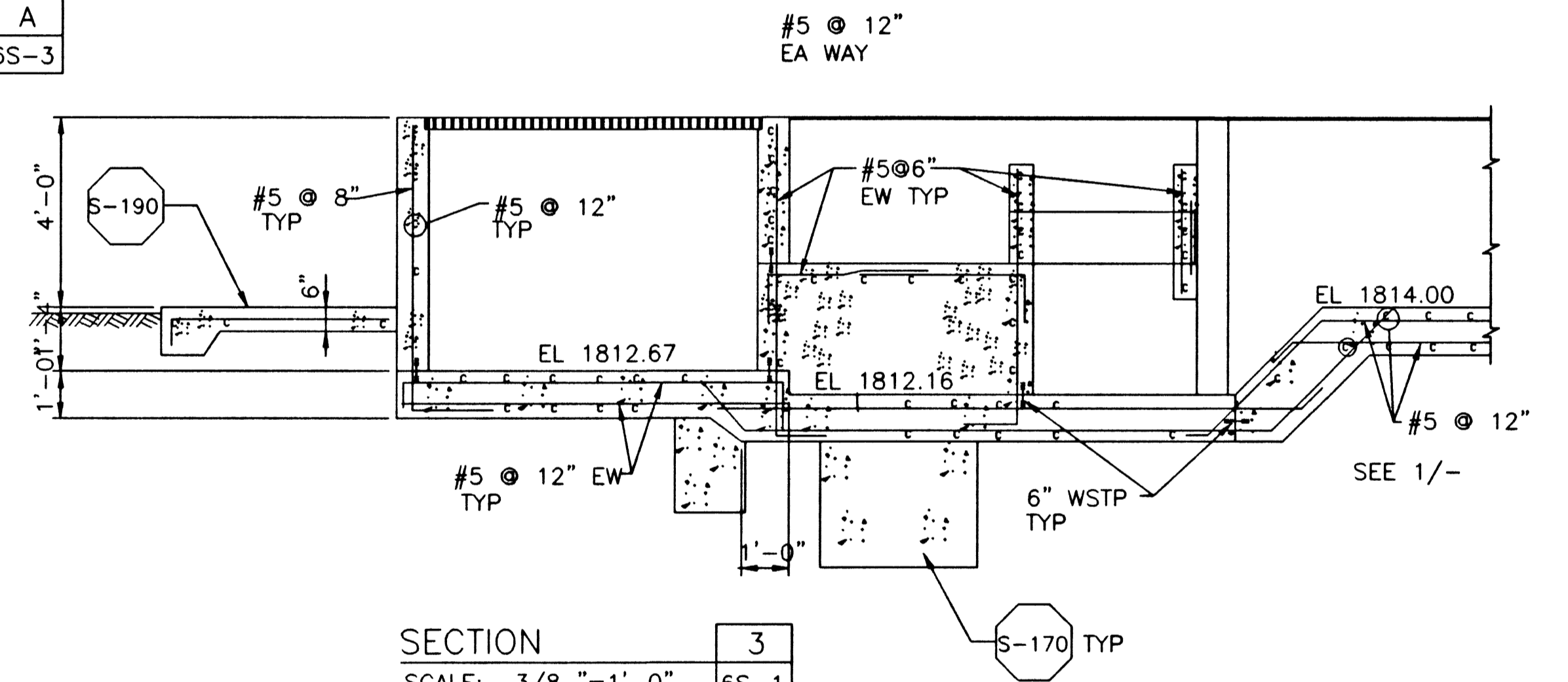
SECTION 2
 SCALE: 3/8" = 1'-0" 6S-1



SECTION 4
 SCALE: 3/8" = 1'-0" 6S-1



SECTION 5
 SCALE: 3/8" = 1'-0" 6S-

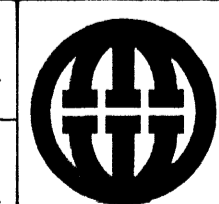


SECTION 3
 SCALE: 3/8" = 1'-0" 6S-1

REV	DATE	BY	DESCRIPTION

SCALE:	AS NOTED
WARNING	IF THIS BAR DOES NOT MEASURE 1\"/>

DESIGNED: S. MOUAWAD	SUBMITTED THE ORIGINAL CONTRACT DOCUMENT WAS SEALED AND SIGNED BY SAM T. MOUAWAD
DRAWN: S. MOUAWAD	PROJECT ENGINEER R. C. E. NO. DATE
CHECKED: C. LEE	RECOMMENDED THE ORIGINAL CONTRACT DOCUMENT WAS SEALED AND SIGNED BY VICKY J. SCHARNHORST
	MONTGOMERY WATSON R. C. E. NO. DATE



MONTGOMERY WATSON
 Las Vegas, Nevada

MONTGOMERY WATSON
 3014 WEST CHARLESTON BLVD
 LAS VEGAS, NV. 89102-1944
 (702) 878-8010
 COPYRIGHT © 1996 BY MONTGOMERY WATSON
 ALL RIGHTS RESERVED

CITY OF LAS VEGAS
 BONANZA/MOJAVE WATER RESOURCE CENTER
 UV DISINFECTION SYSTEM
 SECTIONS

AS BUILT
 DATE
 11 APR 99

DWG. 62
 6S-2
 513-64

2630b