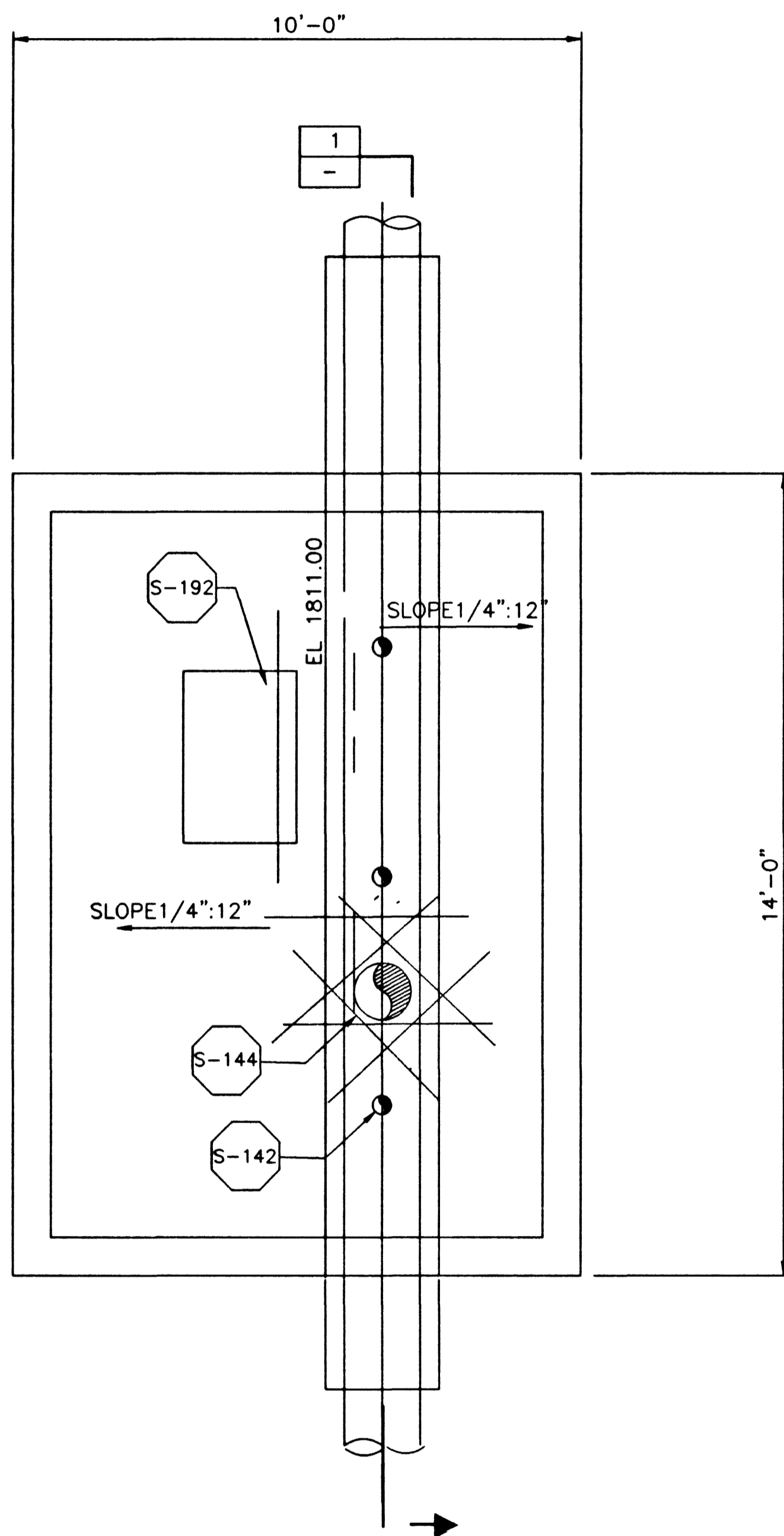


DATE/TIME DD-MMM-YYYY HH:MM

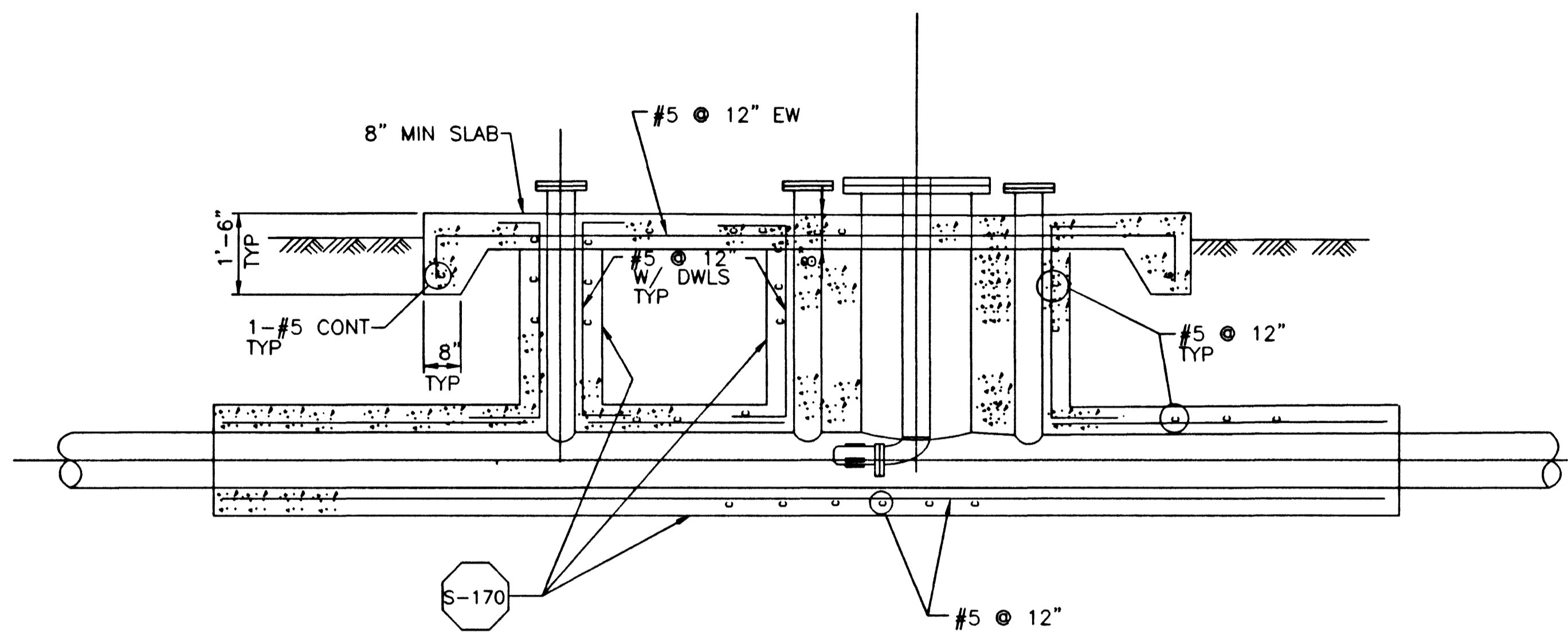
FILE No. P:\p05\work\14\142m09.dgn

JOB No.



PLAN


SCALE: 1/2" = 1'-0"



SECTION

SCALE: 1/2" = 1'-0"

1
-

**AS BUILT**  
DATE  
 10 APR 99

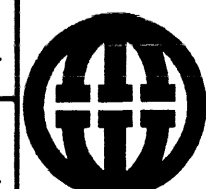
THE ORIGINAL CONTRACT DOCUMENT WAS SEALED AND SIGNED BY SAM T. MOUAWAD

REV	DATE	BY	DESCRIPTION

SCALE: AS NOTED  
 WARNING: IF THIS BAR DOES NOT MEASURE 1" THEN DRAWING IS NOT TO SCALE.

DESIGNED: S. MOUAWAD, FAIRBANKS  
 DRAWN: S. MOUAWAD, FAIRBANKS  
 CHECKED: C. LEE

SUBMITTED THE ORIGINAL CONTRACT DOCUMENT WAS SIGNED BY SAM T. MOUAWAD  
 PROJECT ENGINEER R. C. E. NO. DATE  
 RECOMMENDED THE ORIGINAL CONTRACT DOCUMENT WAS SIGNED BY VICKY J. SCHARNHORST  
 MONTGOMERY WATSON R. C. E. NO. DATE



**MONTGOMERY WATSON**  
 Las Vegas, Nevada

MONTGOMERY WATSON  
 3014 WEST CHARLESTON BLVD  
 LAS VEGAS, NV. 89102-1944  
 (702) 878-8010  
 COPYRIGHT © 1996 BY MONTGOMERY WATSON  
 ALL RIGHTS RESERVED

CITY OF LAS VEGAS  
 BONANZA/MOJAVE WATER RESOURCE CENTER  
 FLASH MIX PUMP STATION  
 PLAN AND SECTION

DWG. 54  
 5S-1  
 513-64

26209