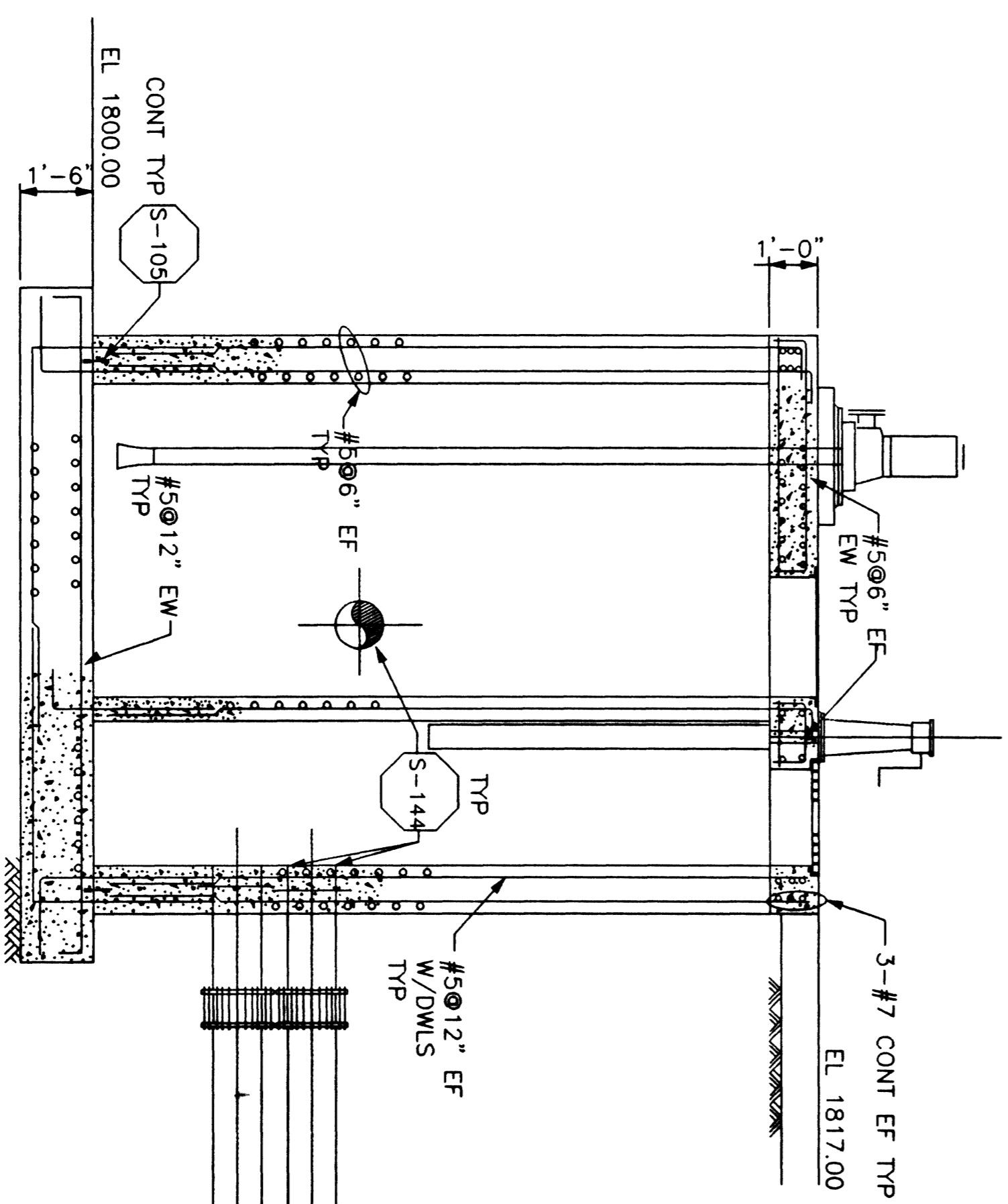
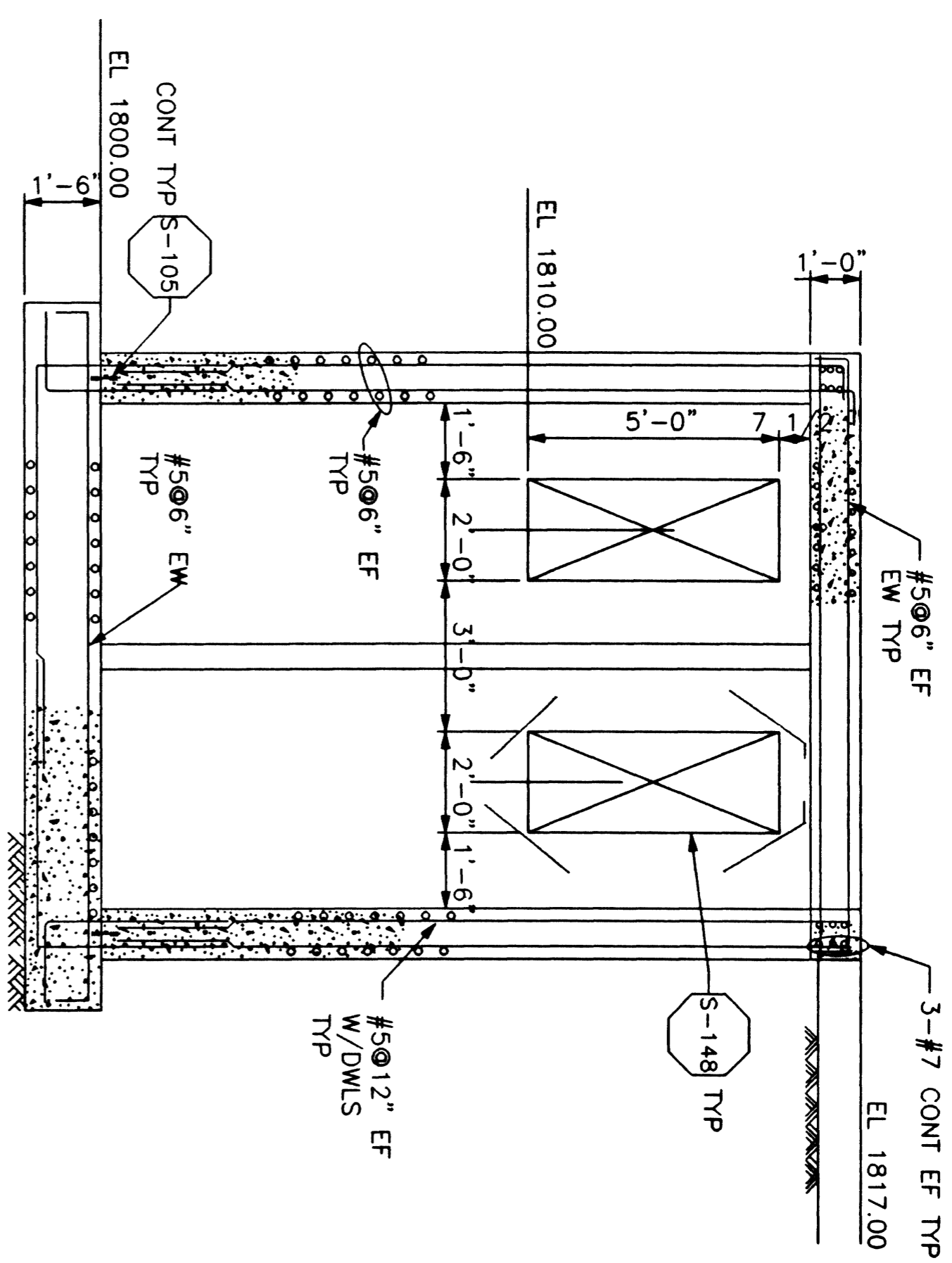
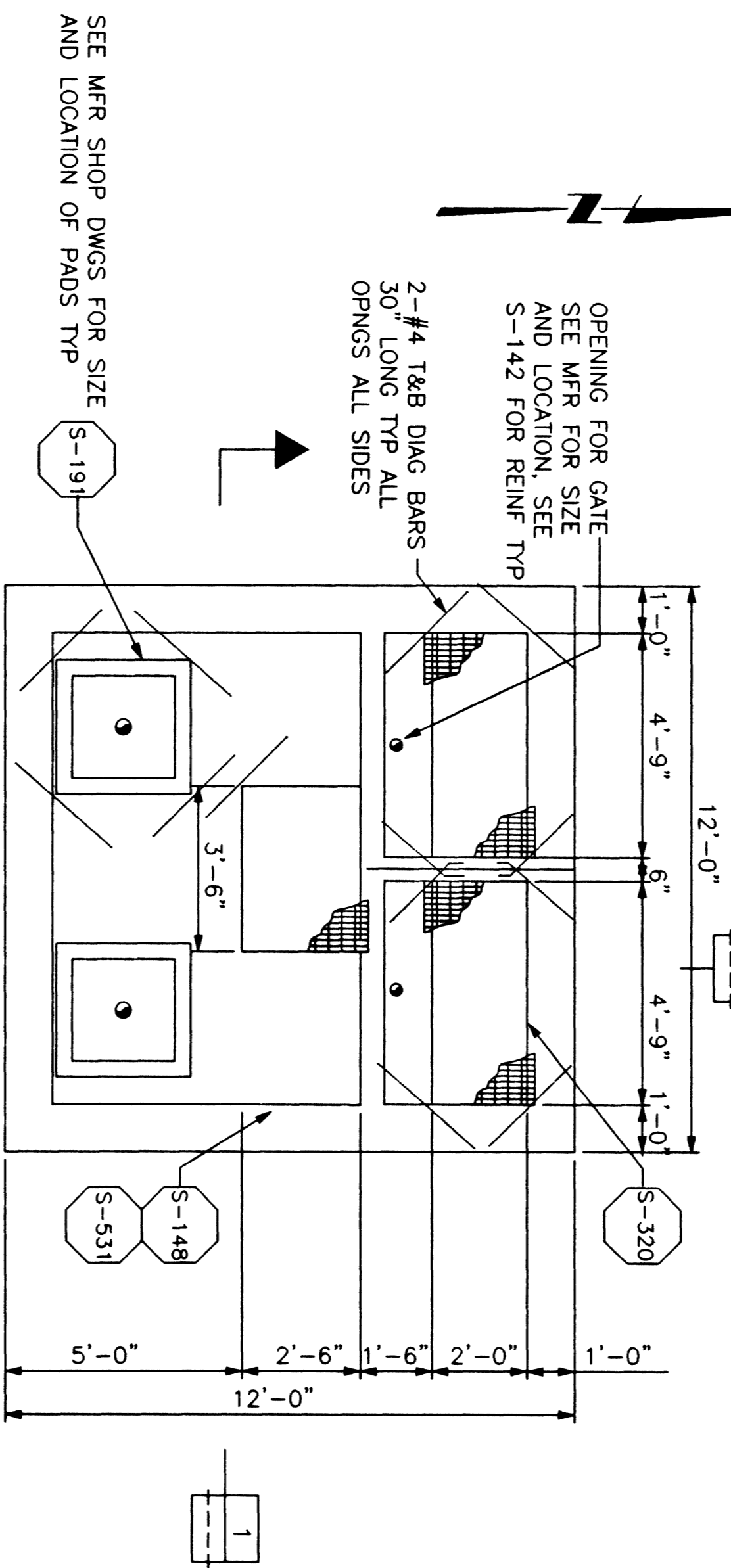


- NOTES:
1. SEE GS-1 THROUGH GS-6 FOR STANDARD DETAILS.
 2. FOR EXACT LOCATION AND ORIENTATION OF PIPES.
 3. SEE MECH DWGS AND MFR'S SHOP DWGS.
 4. COORDINATE ALL FINISHED GRADE ELEVATIONS WITH CIVIL DRAWINGS.
 5. CONTRACTOR TO PROVIDE MINIMUM 1/8" SLOPE TO DRAIN FOR TOP SLAB.



REV	DATE	BY	DESCRIPTION

SCALE: 3/8" = 1'-0"

WARNING: 0 1/2 1 IF THIS BAR DOES NOT MEASURE 1" THEN DRAWING IS NOT TO SCALE.

DESIGNED: L. FAIRBANKS
 DRAWN: L. FAIRBANKS
 CHECKED: C. LEE

SUBMITTED THE ORIGINAL CONTRACT DOCUMENT WAS SIGNED BY SAM T. MOUAMAD
 PROJECT ENGINEER R. C. E. NO. DATE
 RECOMMENDED THE ORIGINAL CONTRACT DOCUMENT WAS SIGNED BY VIKI J. SHARANSKI
 MONTGOMERY WATSON R. C. E. NO. DATE



MONTGOMERY WATSON
 Las Vegas, Nevada

MONTGOMERY WATSON
 3014 WEST CHARLESTON BLVD
 LAS VEGAS, NEVADA 89102
 (702) 878-8010

CITY OF LAS VEGAS
 BONANZA/MOJAVE WATER RESOURCE CENTER
 NON-POTABLE WATER PUMP STATION
 PLANS AND SECTIONS

AS BUILT

DATE 10APR99

DWG: 54
 4S-1
 513-64

THE ORIGINAL CONTRACT DOCUMENT WAS SEALED AND SIGNED BY SAM T. MOUAMAD

16307