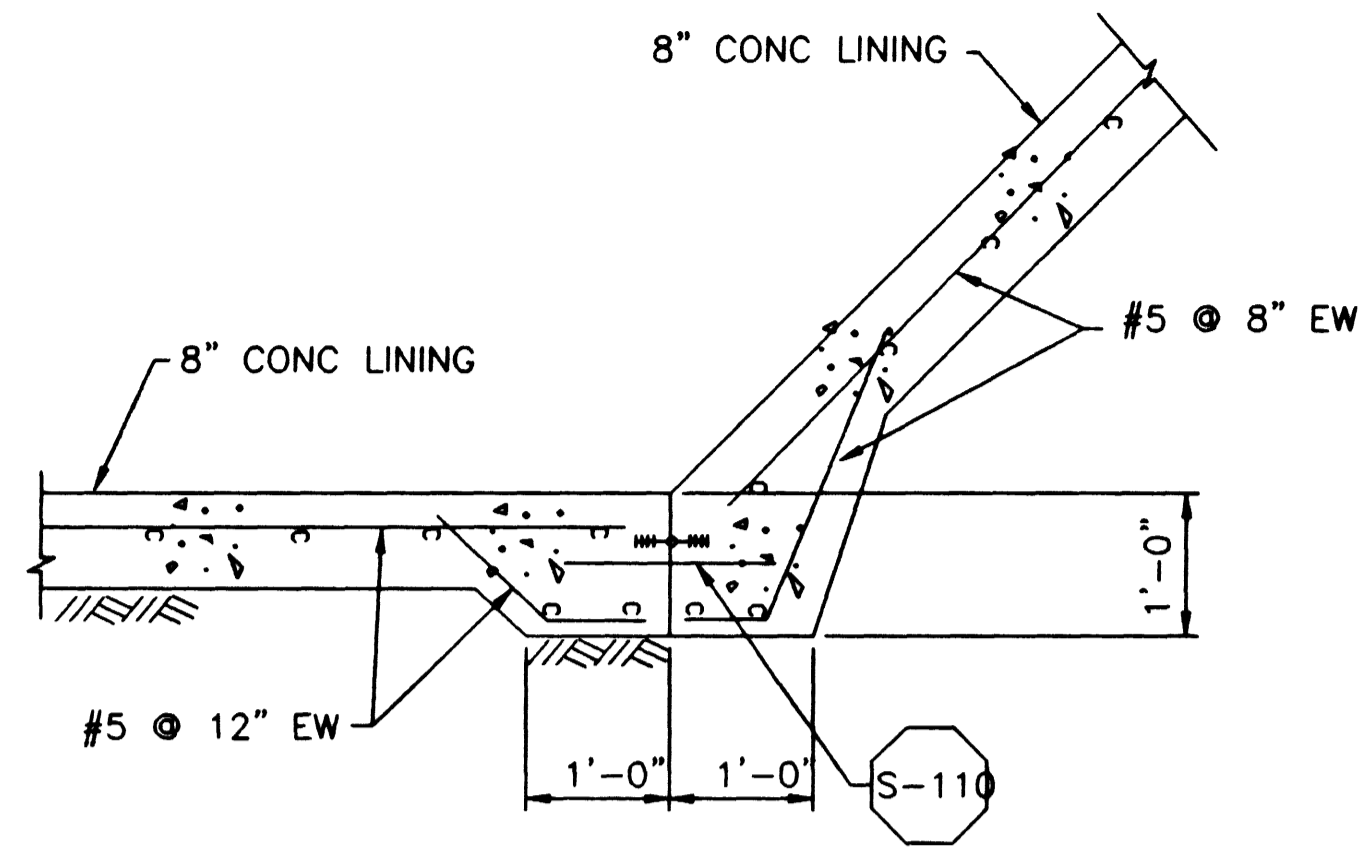


DATE/TIME DD-MMM-YY HH:MM

FILE No. P:\proj\wvrf\str\bzm0'st.dgn

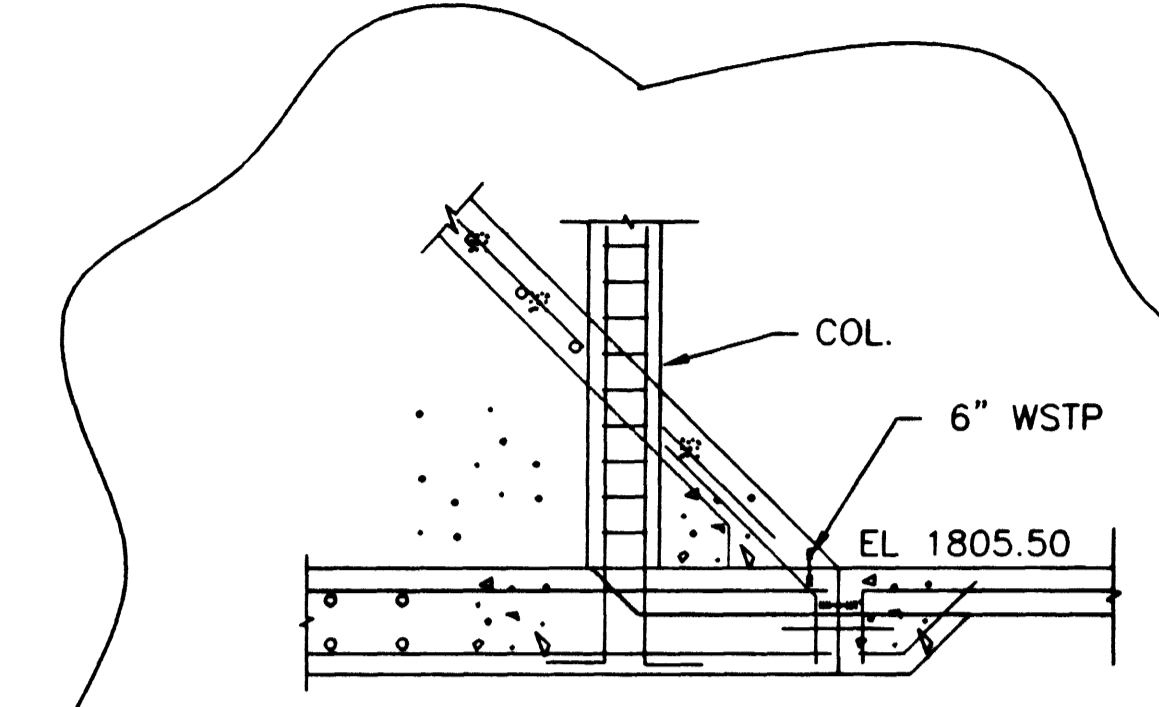
JOB No.



DETAIL

| |
|---|
| D |
|---|

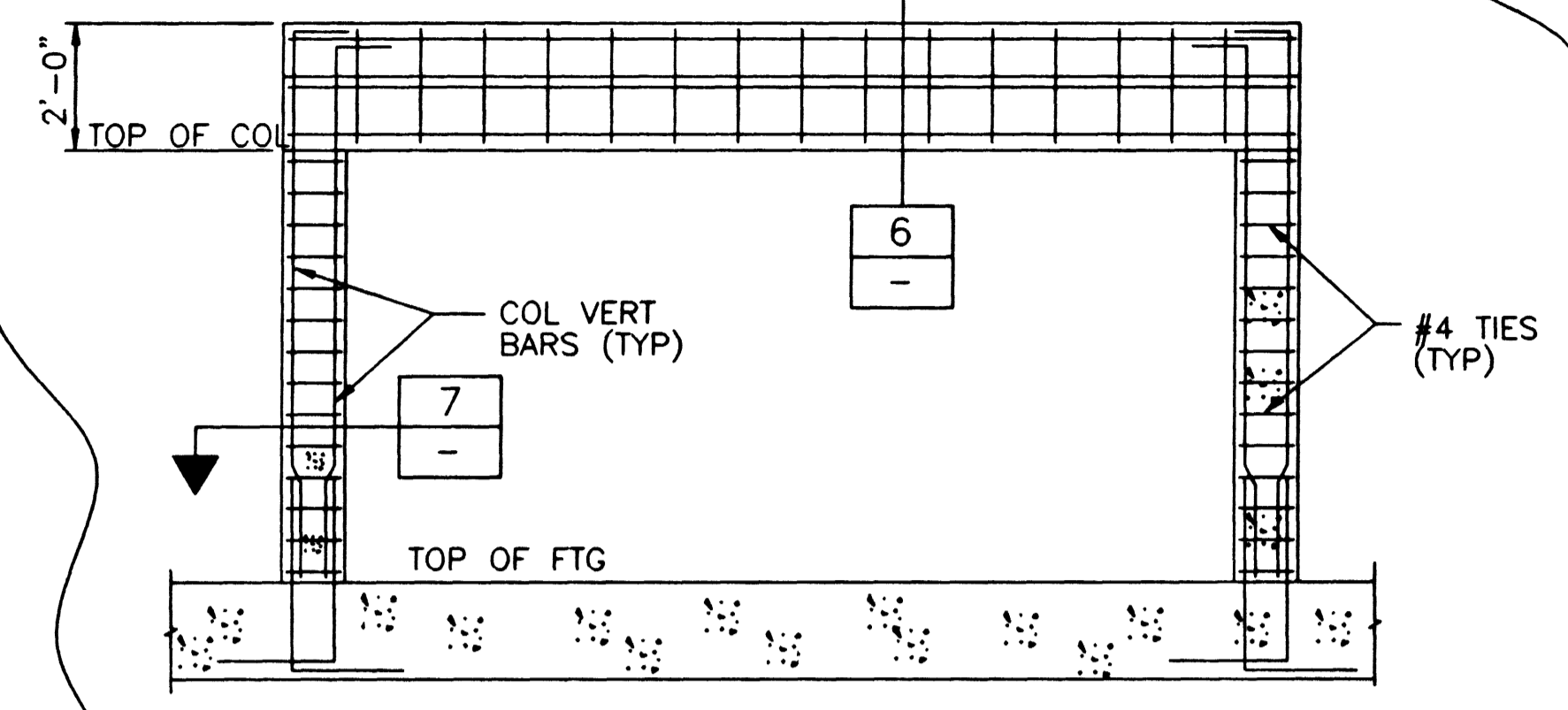
SCALE: 3/4" = 1'-0" 2S-1



DETAIL

| |
|---|
| E |
|---|

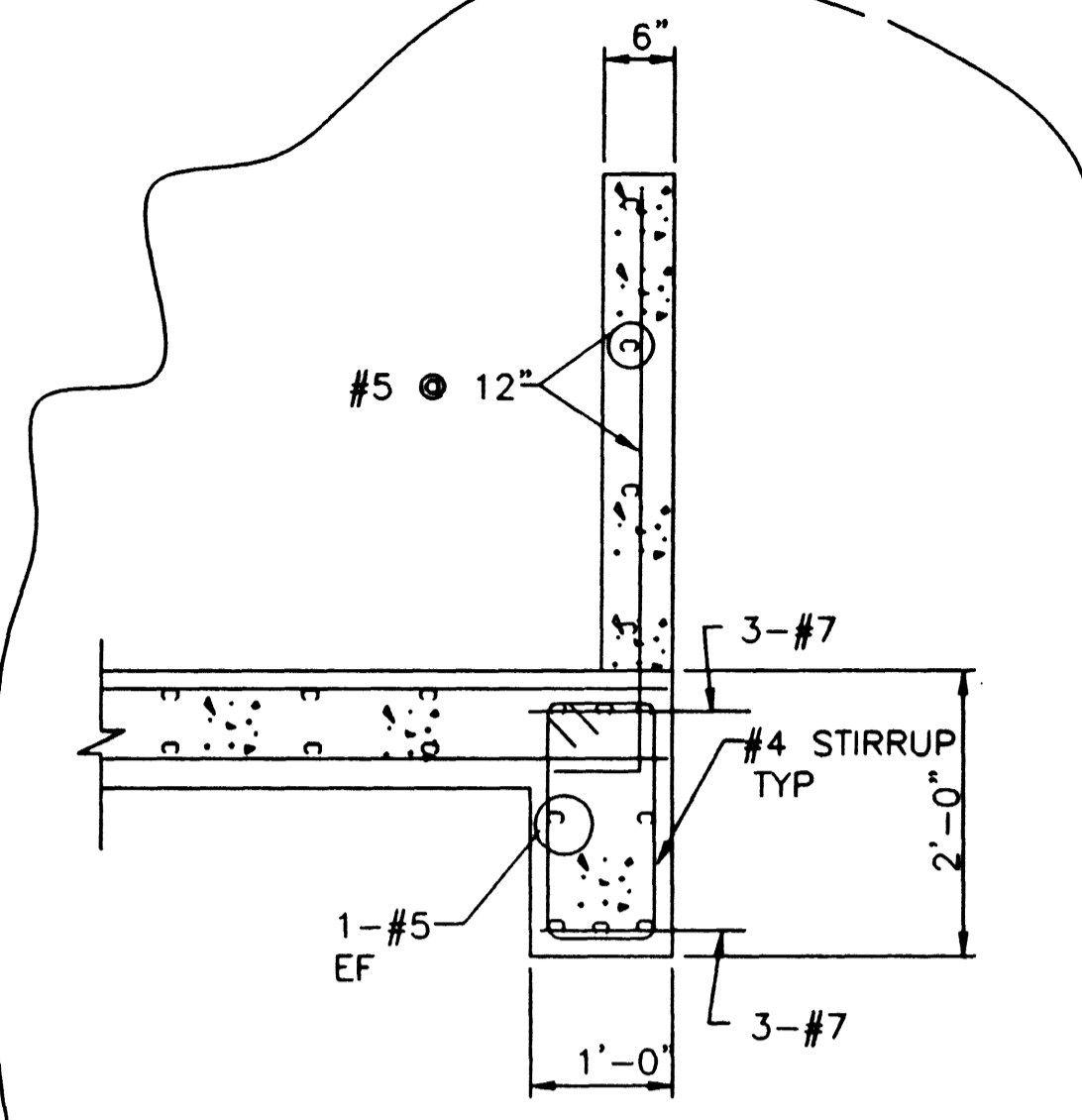
SCALE: 3/8" = 1'-0" 2S-2



TYP CONC COL & BM ELEVATION B-1

| |
|---|
| G |
|---|

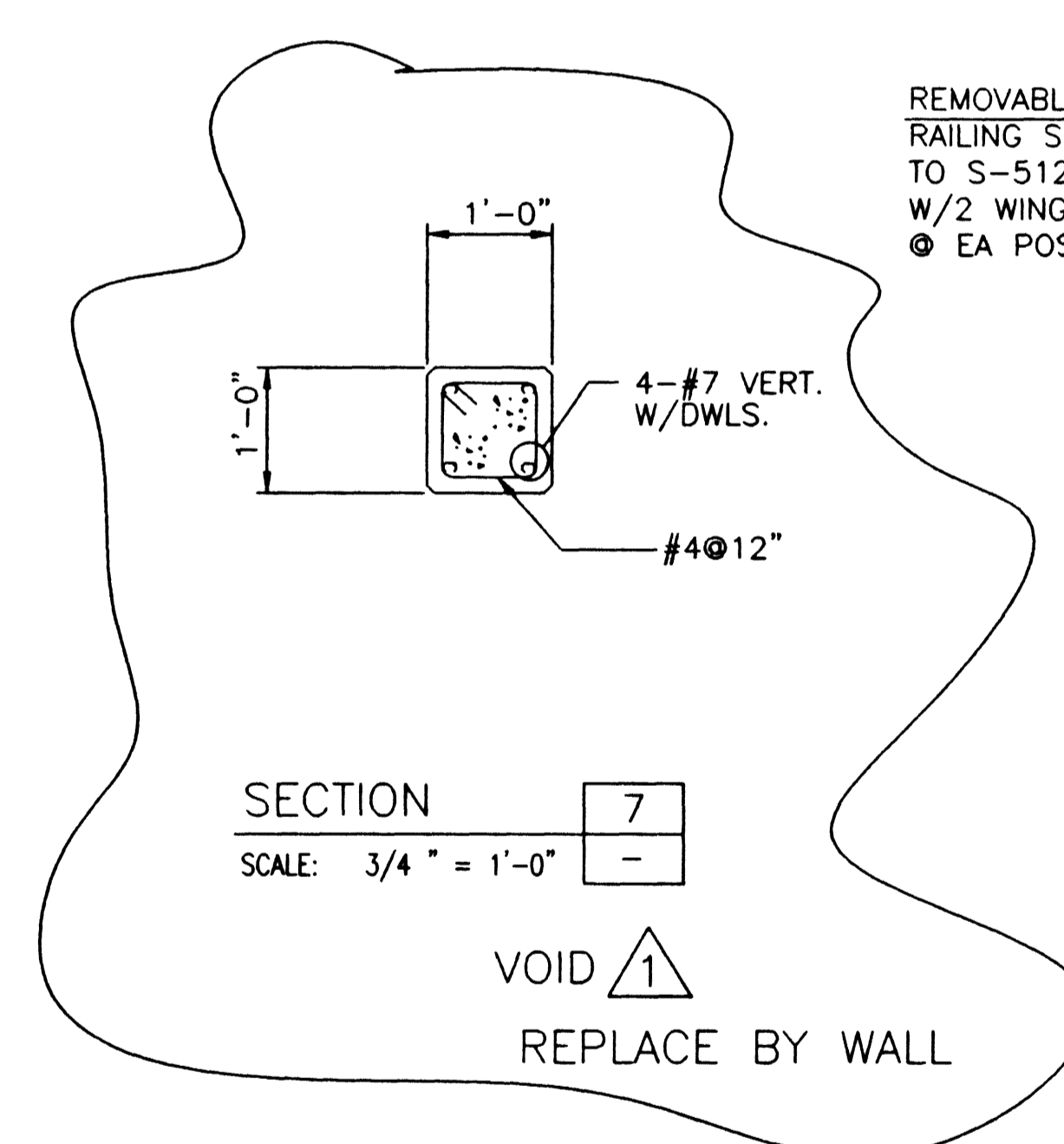
SCALE: 3/8" = 1'-0" 2S-4



SECTION

| |
|---|
| 6 |
|---|

SCALE: 3/4" = 1'-0" -



SECTION

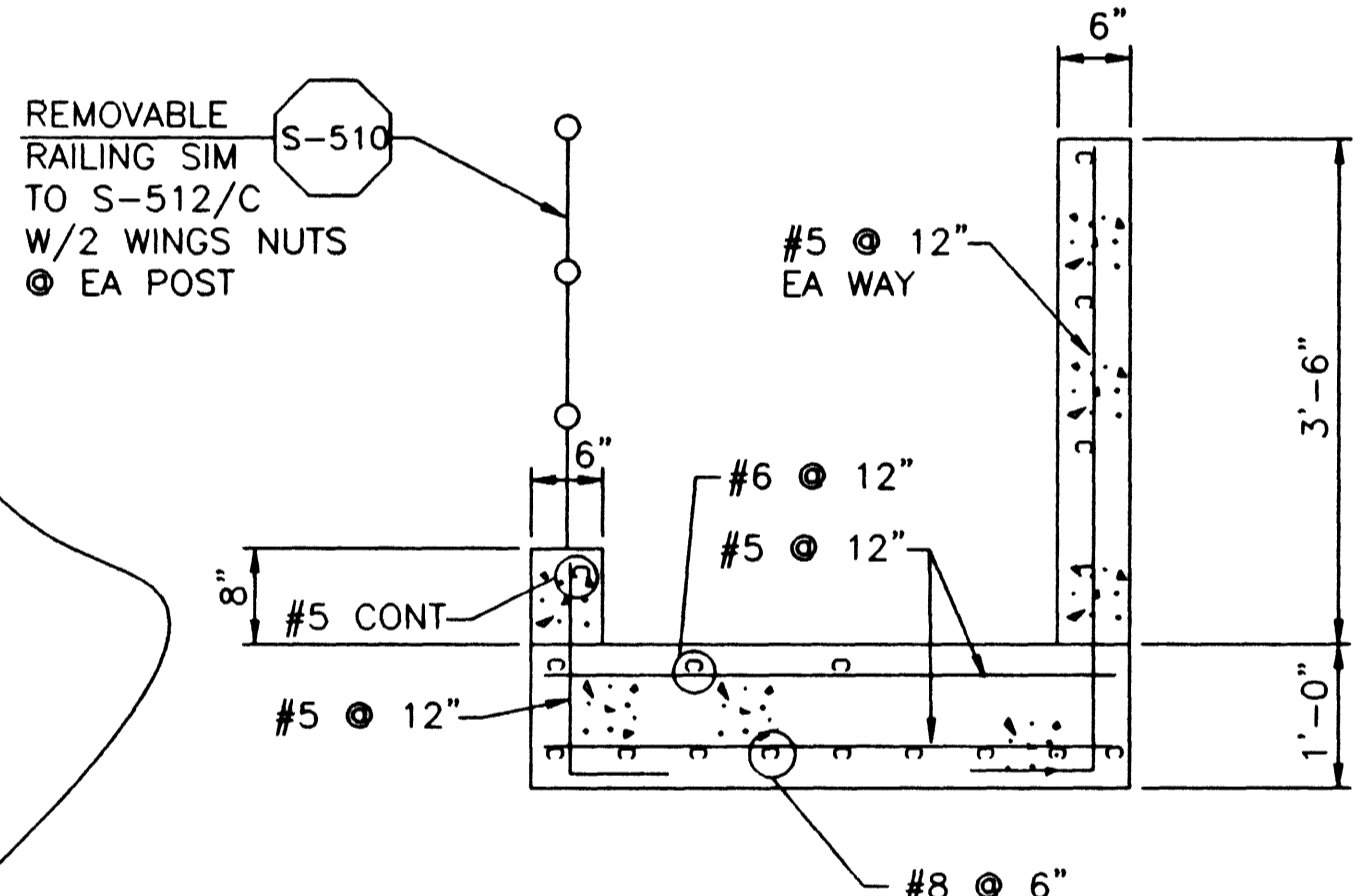
| |
|---|
| 7 |
|---|

SCALE: 3/4" = 1'-0" -

VOID

| |
|---|
| 1 |
|---|

 REPLACE BY WALL

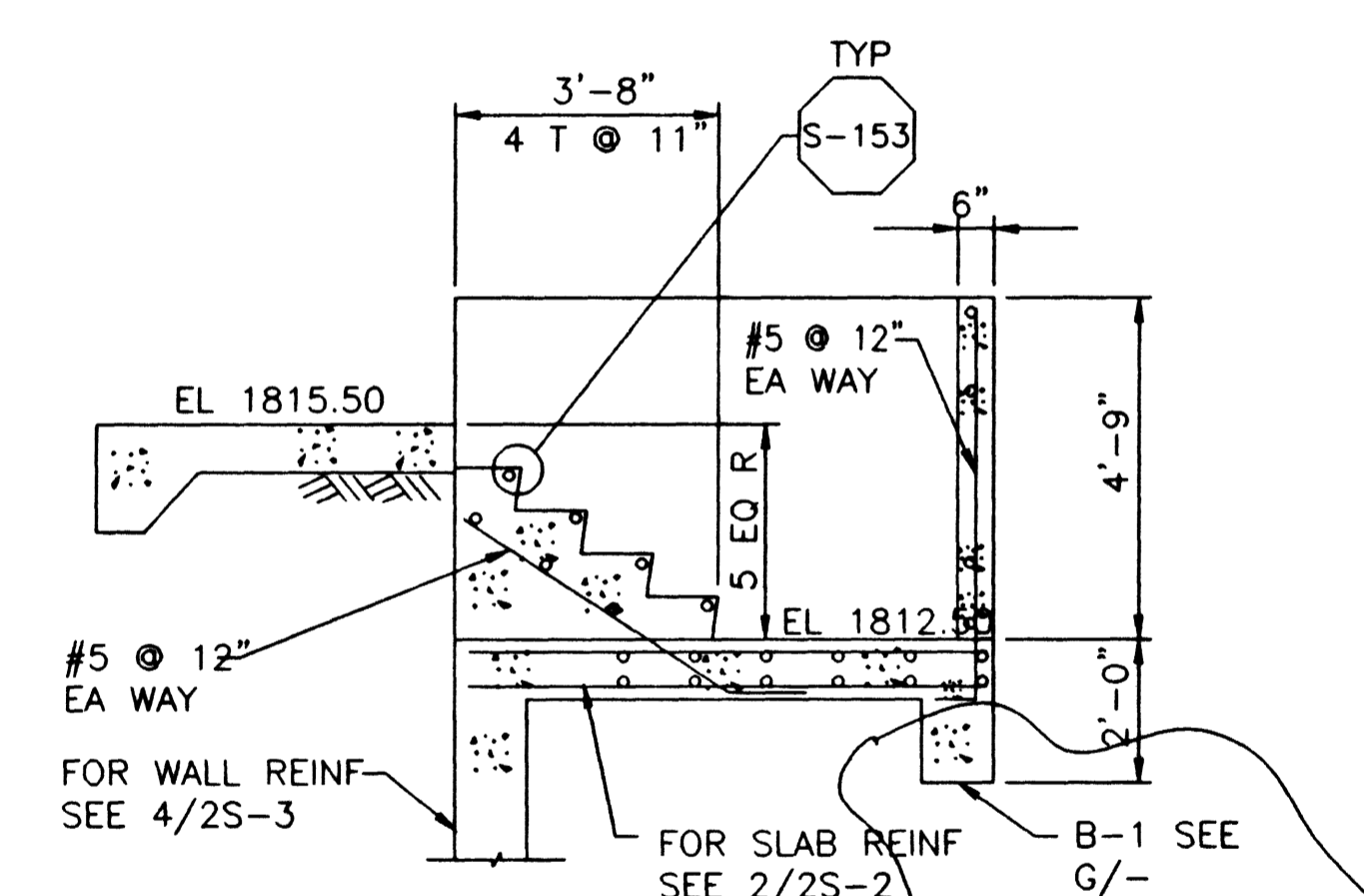


SECTION

| |
|---|
| 8 |
|---|

SCALE: 3/4" = 1'-0" -

REMOVABLE RAILING SIM TO S-512/C W/2 WINGS NUTS @ EA POST



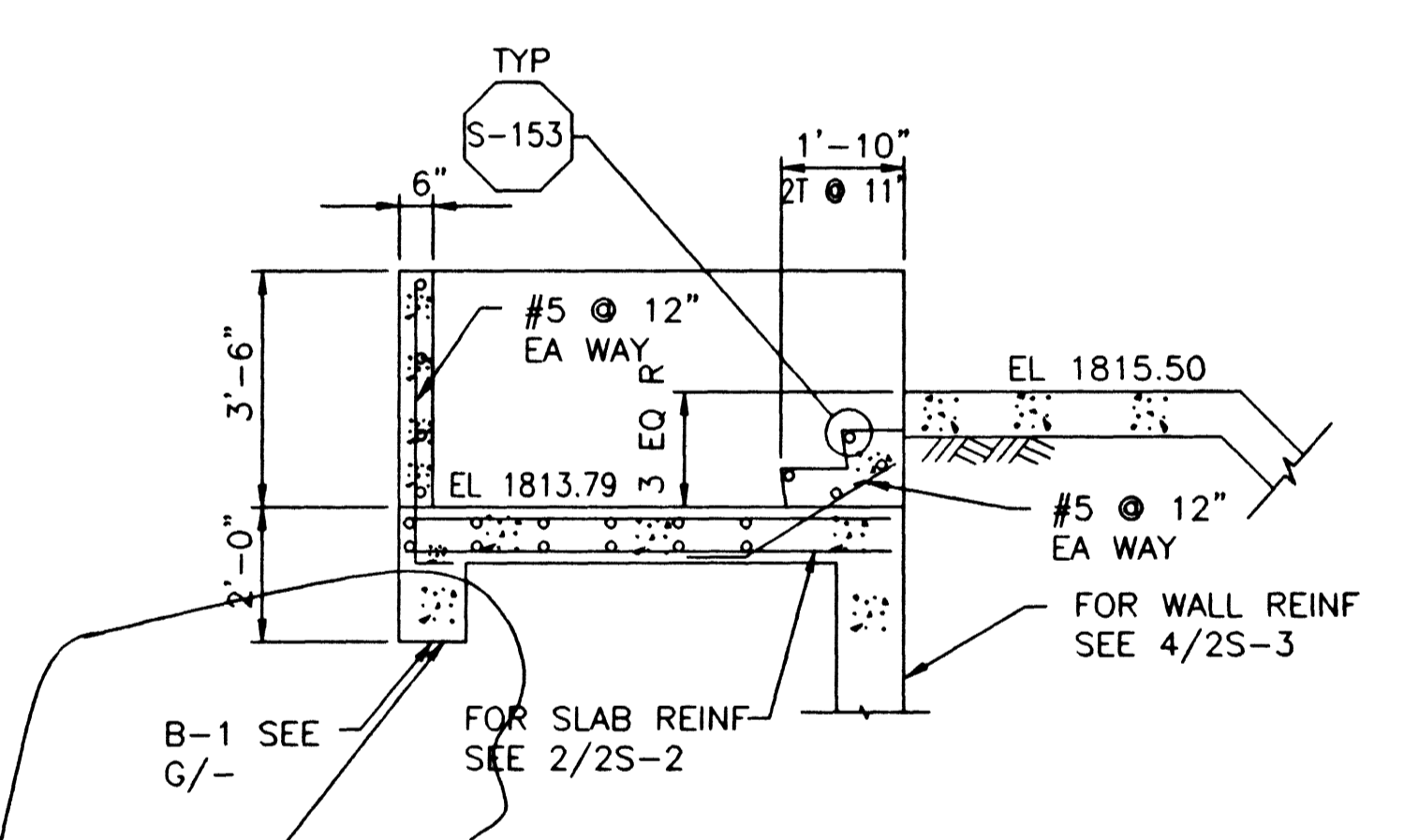
SECTION

| |
|---|
| 9 |
|---|

SCALE: 3/8" = 1'-0" 2S-2

WALL SEE SEC 4/2S-3

| |
|---|
| 1 |
|---|



SECTION

| |
|----|
| 10 |
|----|

SCALE: 3/8" = 1'-0" 2S-2

| |
|---|
| 1 |
|---|

 APPROVED CONTRACTOR REQUESTED CHANGES

AS BUILT
DATE

| |
|----------|
| 5 MAY 99 |
|----------|

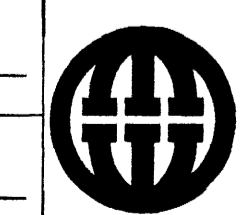
THE ORIGINAL CONTRACT DOCUMENT WAS SEALED AND SIGNED BY SAM MOUAWAD

| | | | |
|-------|------|------------------------------|-------------|
| 260CT | LSM | REV COLUMNS & BEAMS TO WALLS | SCALE: |
| | | | AS SHOWN |
| REV | DATE | BY | DESCRIPTION |

WARNING
0 1/2 1
IF THIS BAR DOES NOT MEASURE 1" THEN DRAWING IS NOT TO SCALE.

DESIGNED
DRAWN
CHECKED C. LEE

SUBMITTED THE ORIGINAL CONTRACT DOCUMENT WAS SIGNED BY SAM MOUAWAD
PROJECT ENGINEER R. C. E. NO. DATE
RECOMMENDED THE ORIGINAL CONTRACT DOCUMENT WAS SIGNED BY VICKI J. SCHARNHORST
MONTGOMERY WATSON R. C. E. NO. DATE



MONTGOMERY WATSON
Las Vegas, Nevada

MONTGOMERY WATSON
3014 WEST CHARLESTON BLVD
LAS VEGAS, NV. 89102-1944
(702) 878-8010
COPYRIGHT © 1996 BY MONTGOMERY WATSON
ALL RIGHTS RESERVED

CITY OF LAS VEGAS
BONANZA/MOJAVE WATER RESOURCE CENTER
OXIDATION CHANNEL
SECTIONS AND DETAILS

DWG. 53
2S-4
513-64

26297