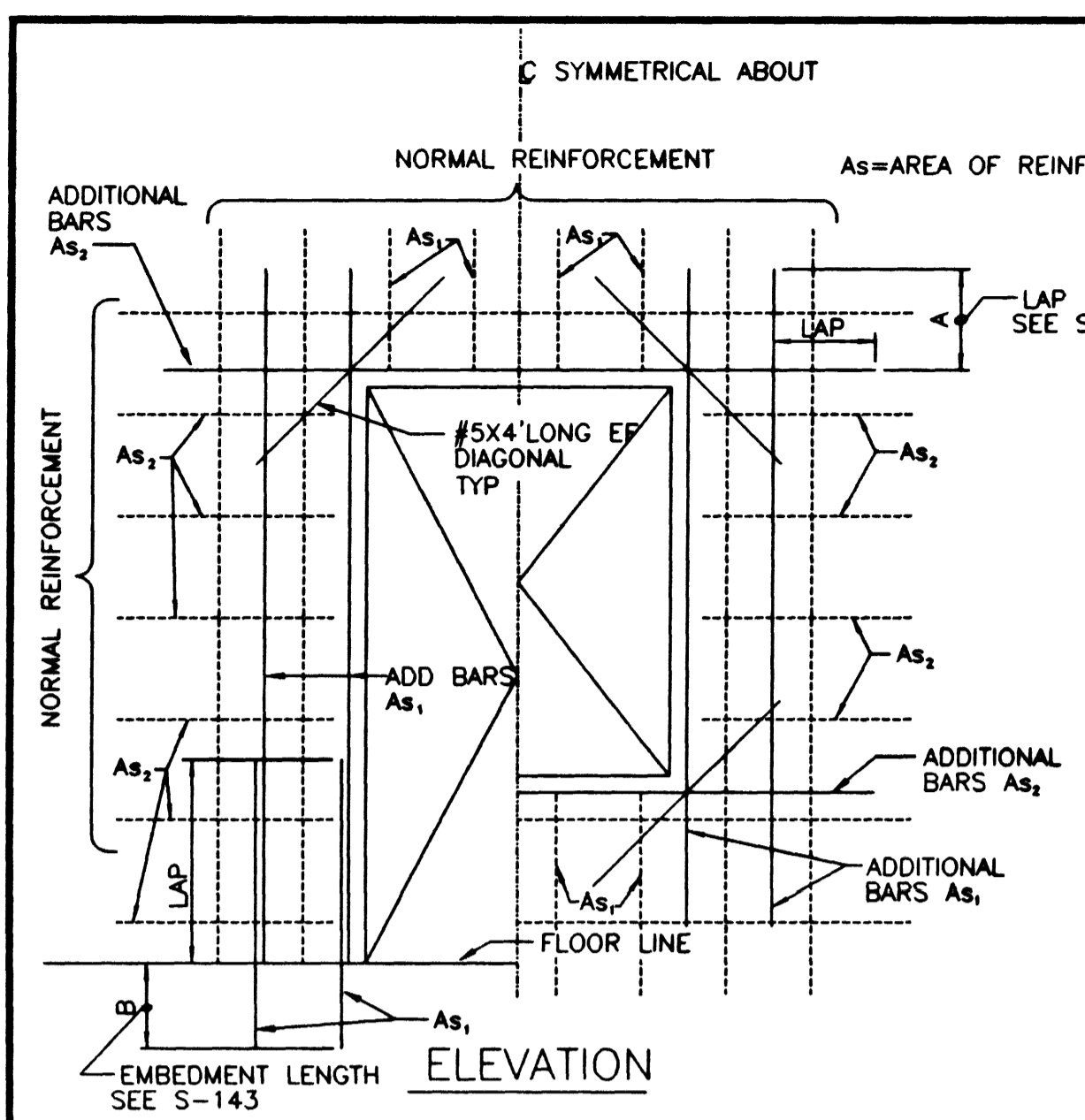


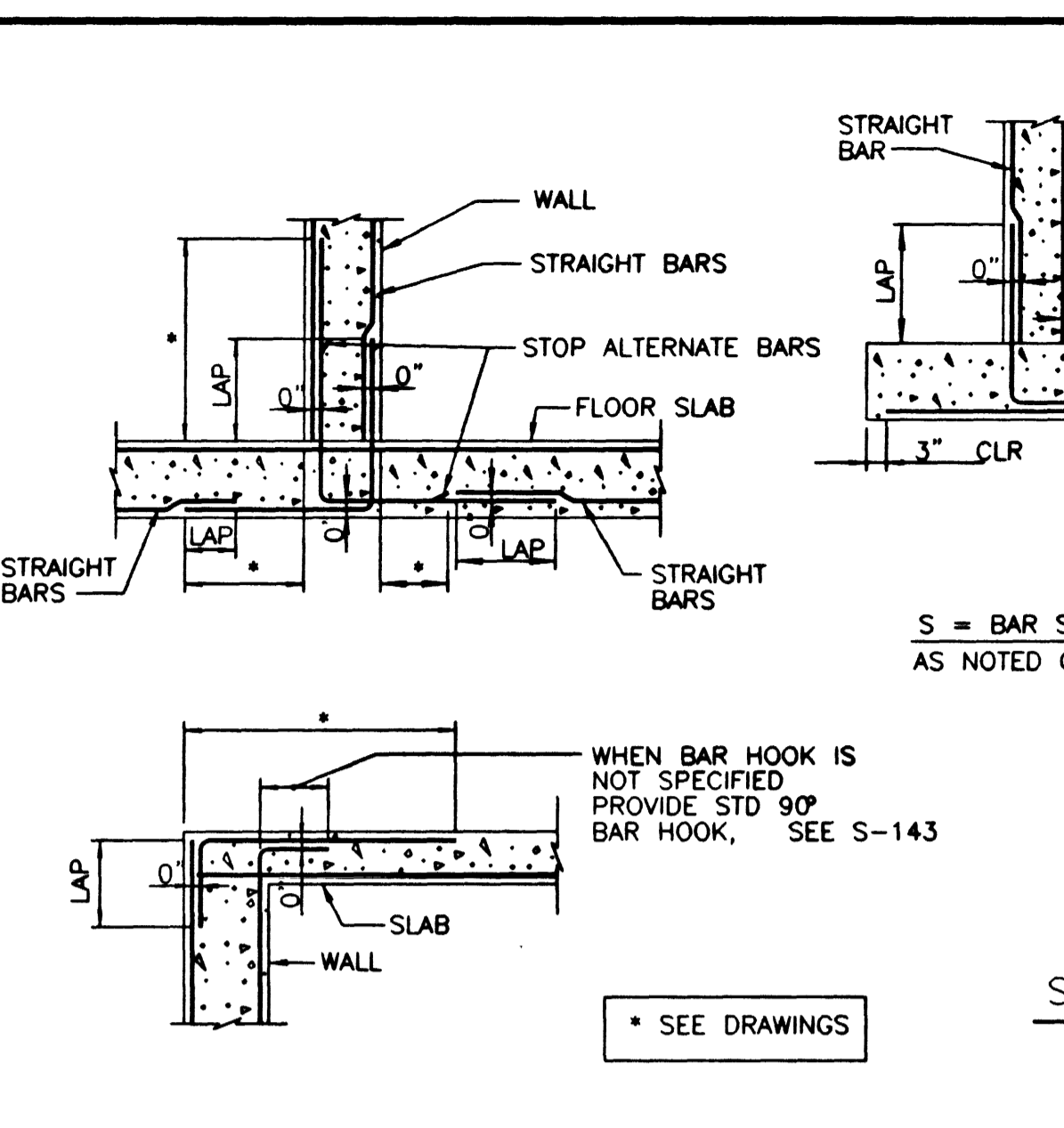
DATE/TIME DD-MMM-YYYY HH:MM
FILE No. p:\proj\wvrf\skt\bzm0*s*.dgn
JOB No.



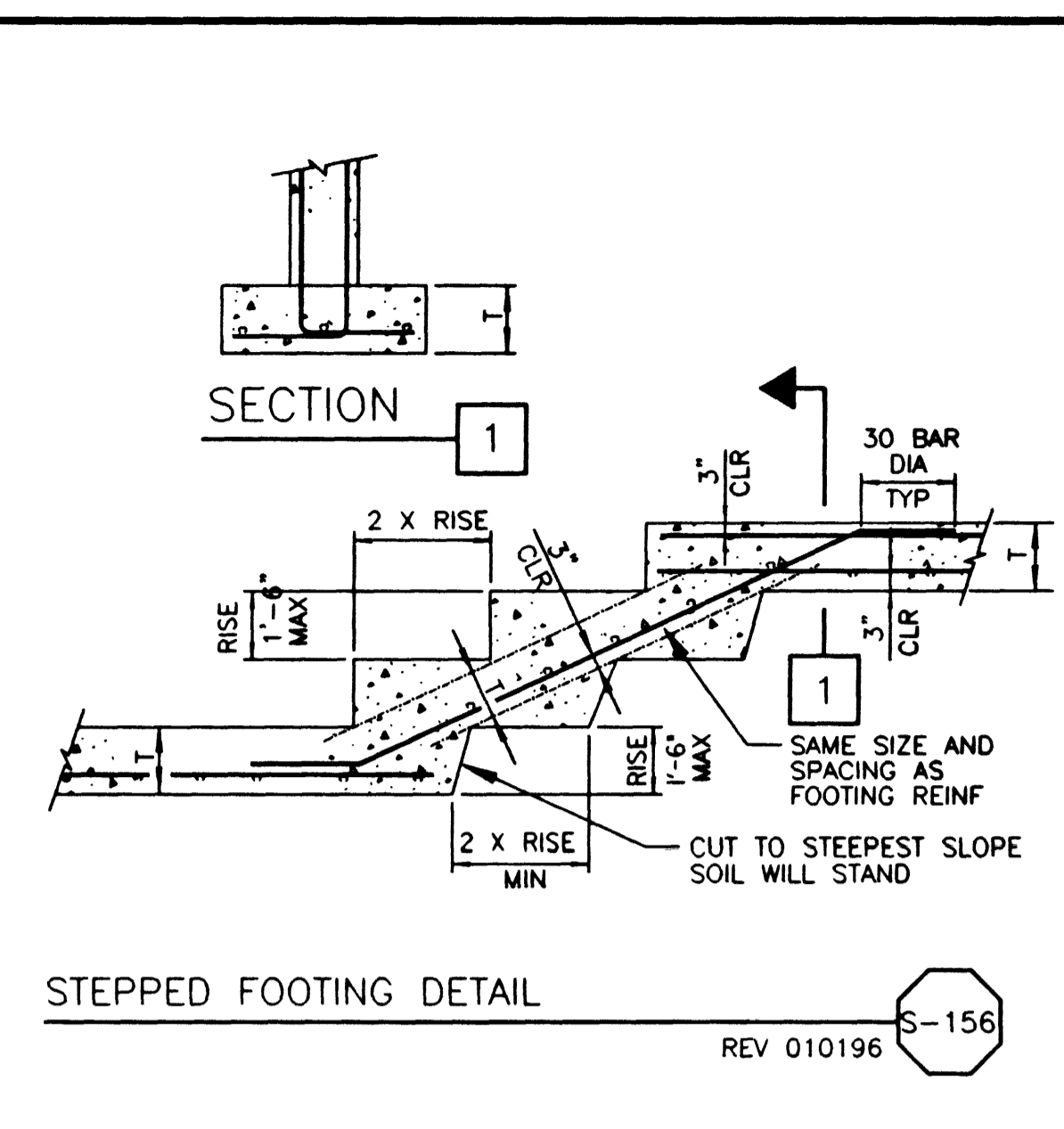
NOTES:

- CUT NORMAL REINFORCEMENT AT OPENING:
As1 AND As2 = 1/2 AREA OF CUT BARS TO BE ADDED ON EACH SIDE OF OPENING
- ADDITIONAL BARS As1 AND As2 TO BE PLACED:
A) AT CENTERLINE OF WALLS OR SLABS WHERE ONE LAYER OF REINFORCEMENT IS PROVIDED
B) AT EACH FACE OF WALLS OR SLABS WHERE TWO LAYERS OF REINFORCEMENT ARE PROVIDED
- INCREASE SIZE OF ADDITIONAL BARS AS NEEDED TO FIT WITHIN A DISTANCE OF 2 X WALL/SLAB THICKNESS FROM OPENING. PROVIDE 2" MIN CLEAR BETWEEN BARS
- THIS DETAIL TO BE USED ONLY WHEN NO OTHER DETAIL IS INDICATED ON THE DRAWINGS
- WHERE A SLAB OR INTERSECTING WALL CONNECTS WITHIN ONE WALL THICKNESS OF THE OPENINGS, ADDITIONAL BARS ON THAT SIDE MAY BE OMITTED

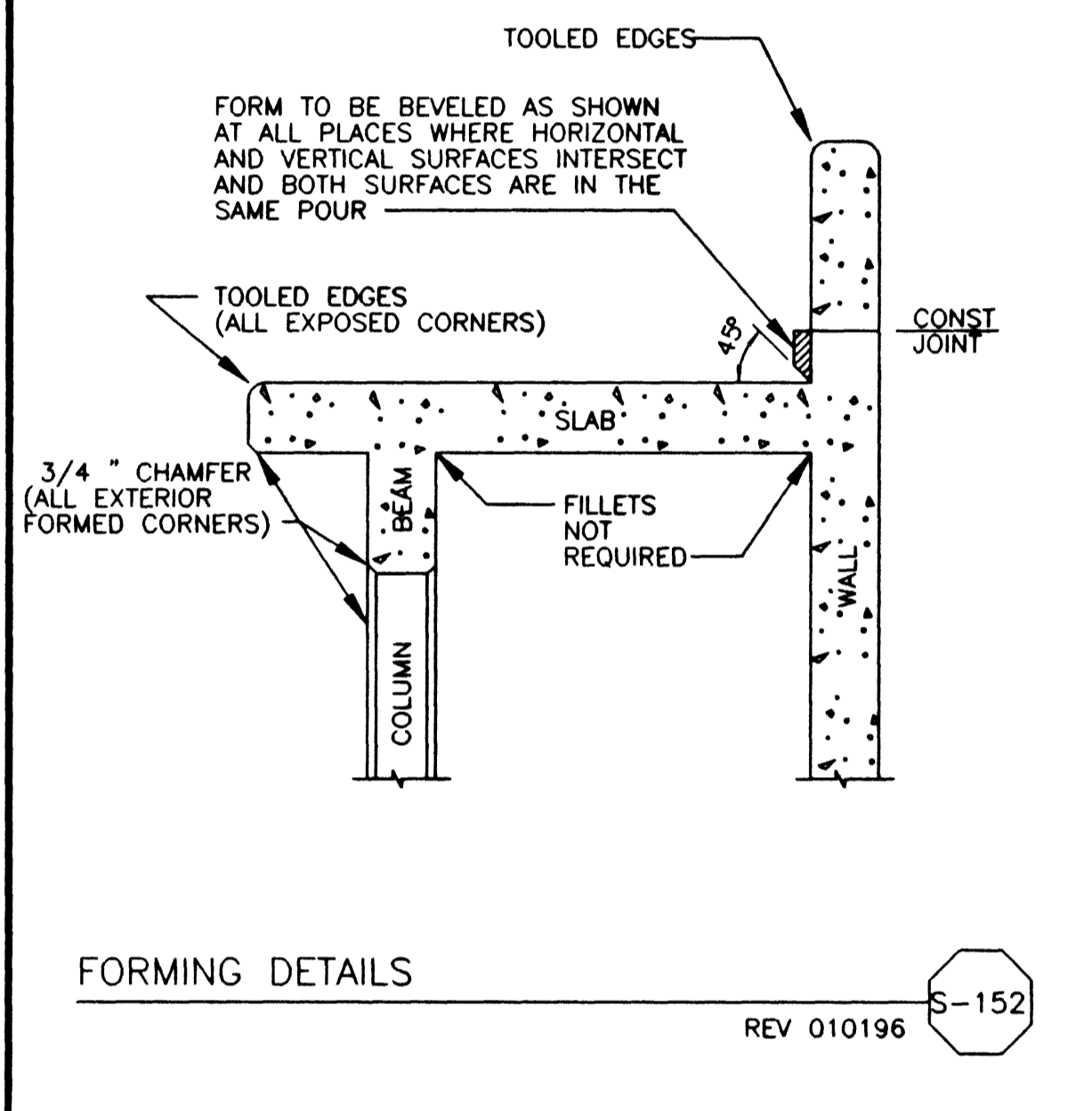
ADDITIONAL REINFORCEMENT AROUND RECTANGULAR OPENINGS
REV 010196 S-148



STANDARD FOR REINFORCING BAR DETAILING
REV 010196 S-149



STEPPED FOOTING DETAIL
REV 010196 S-156



NOTE:
TREAD SHALL RECEIVE A STEEL TROWEL FINISH. IMMEDIATELY THEREAFTER, THE SURFACE SHALL BE SLIGHTLY ROUGHENED BY DRAWING A STIFF BRUSH OVER THE SURFACE AT A RIGHT ANGLE TO THE DIRECTION OF TRAFFIC TO PRODUCE A NON-SKID SURFACE

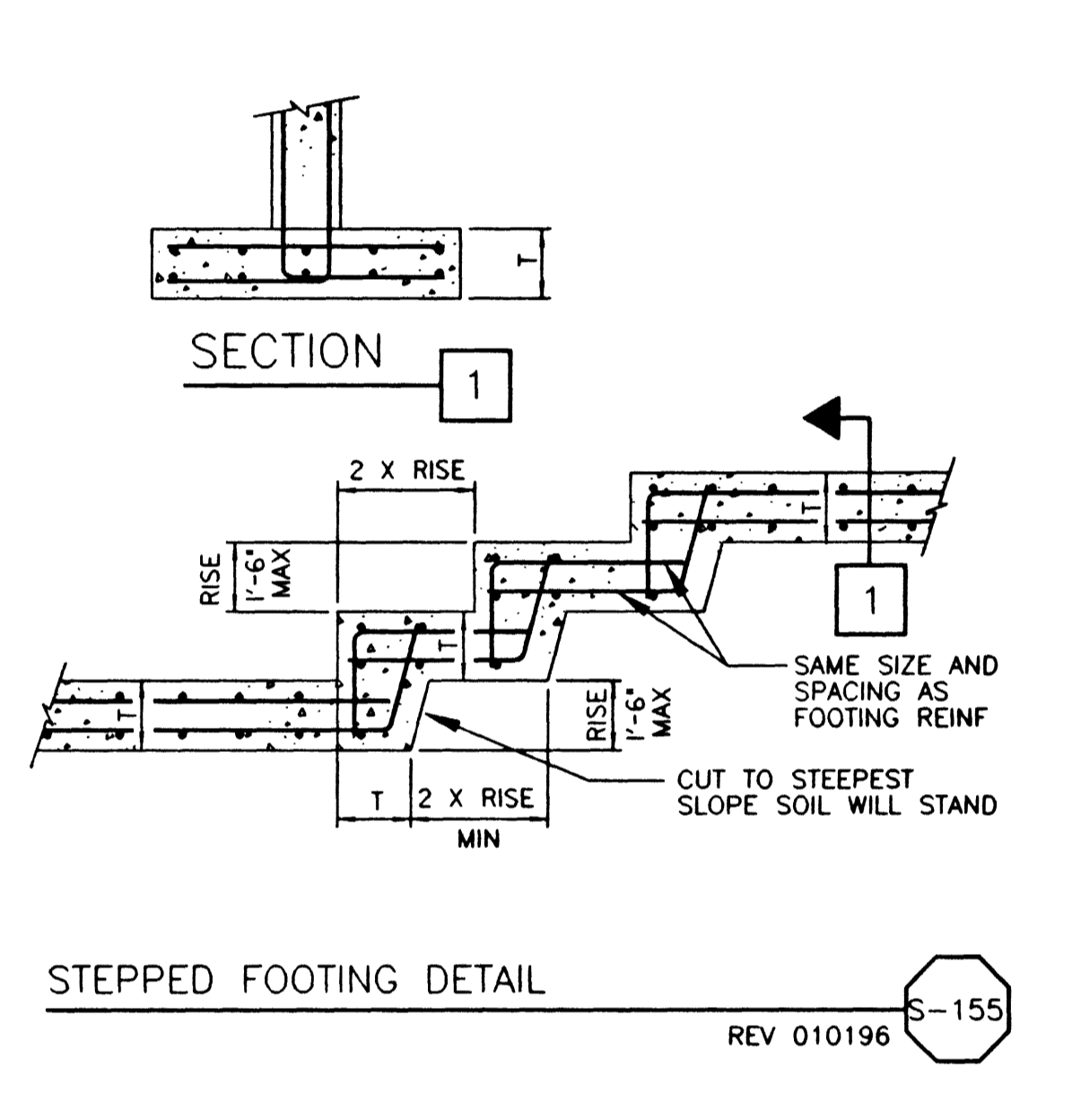
UNLESS OTHERWISE NOTED ON THE DWGS PROVIDE 3" SAFETY NOSING AT EACH TREAD. IF NO NOSING IS SPECIFIED, APPLY 1/2" R TO EDGE

NOSING TO EXTEND 4" FROM WALL, CURB OR EDGE

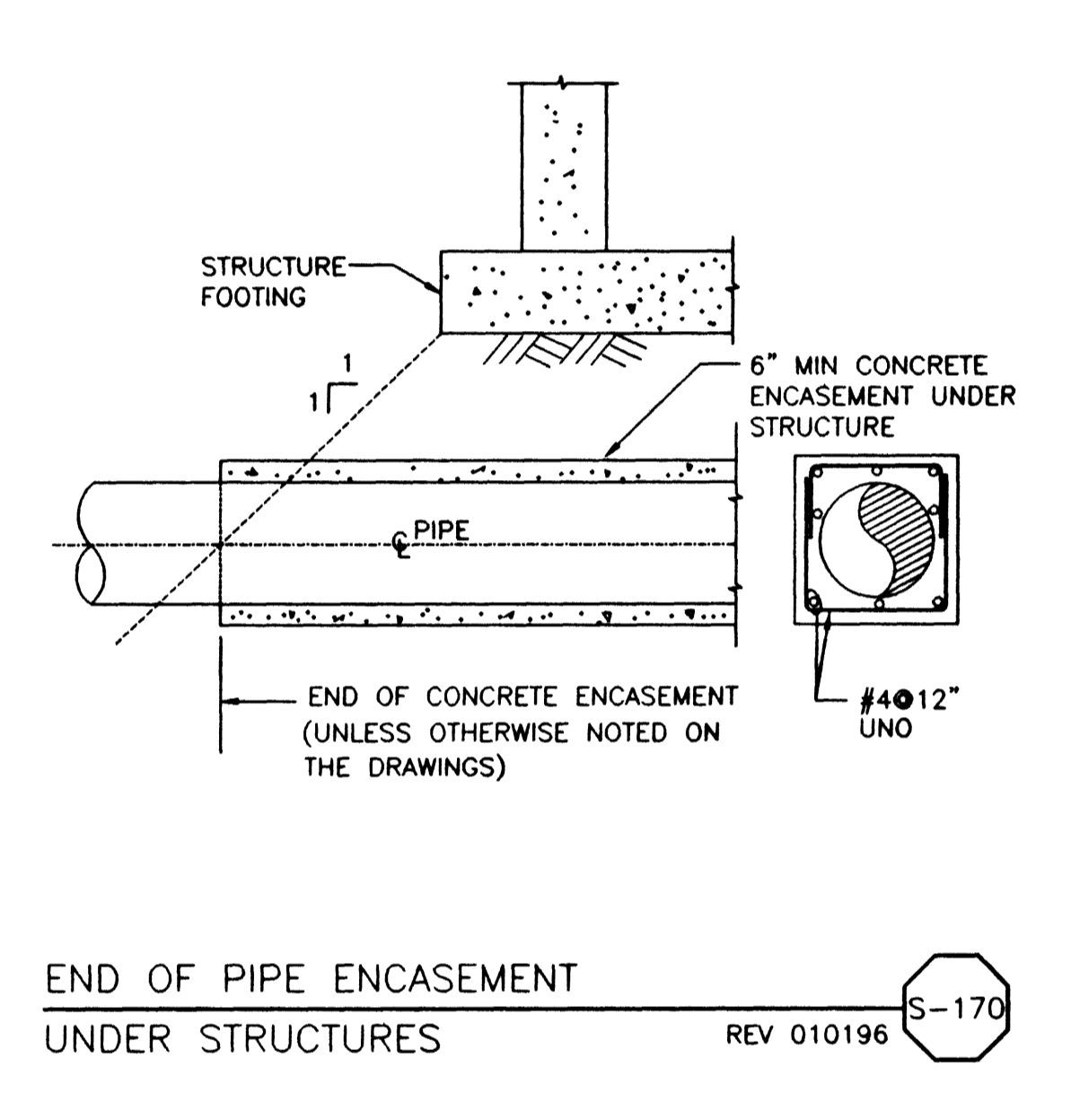
#4 NOSE BAR
1 1/2"

#5@12" EW UNO
3/4" RADIUS

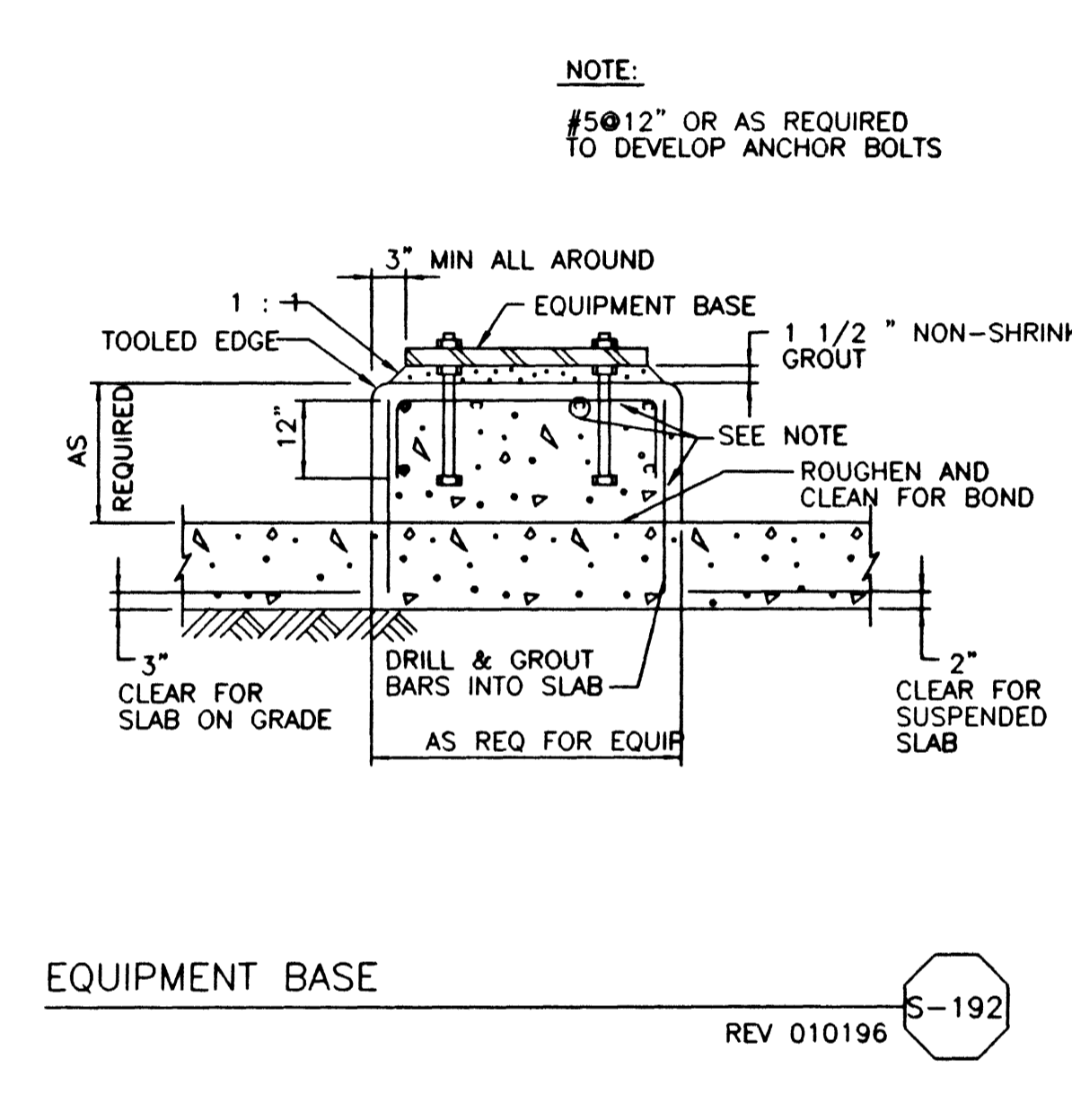
FORMING DETAILS
REV 010196 S-152



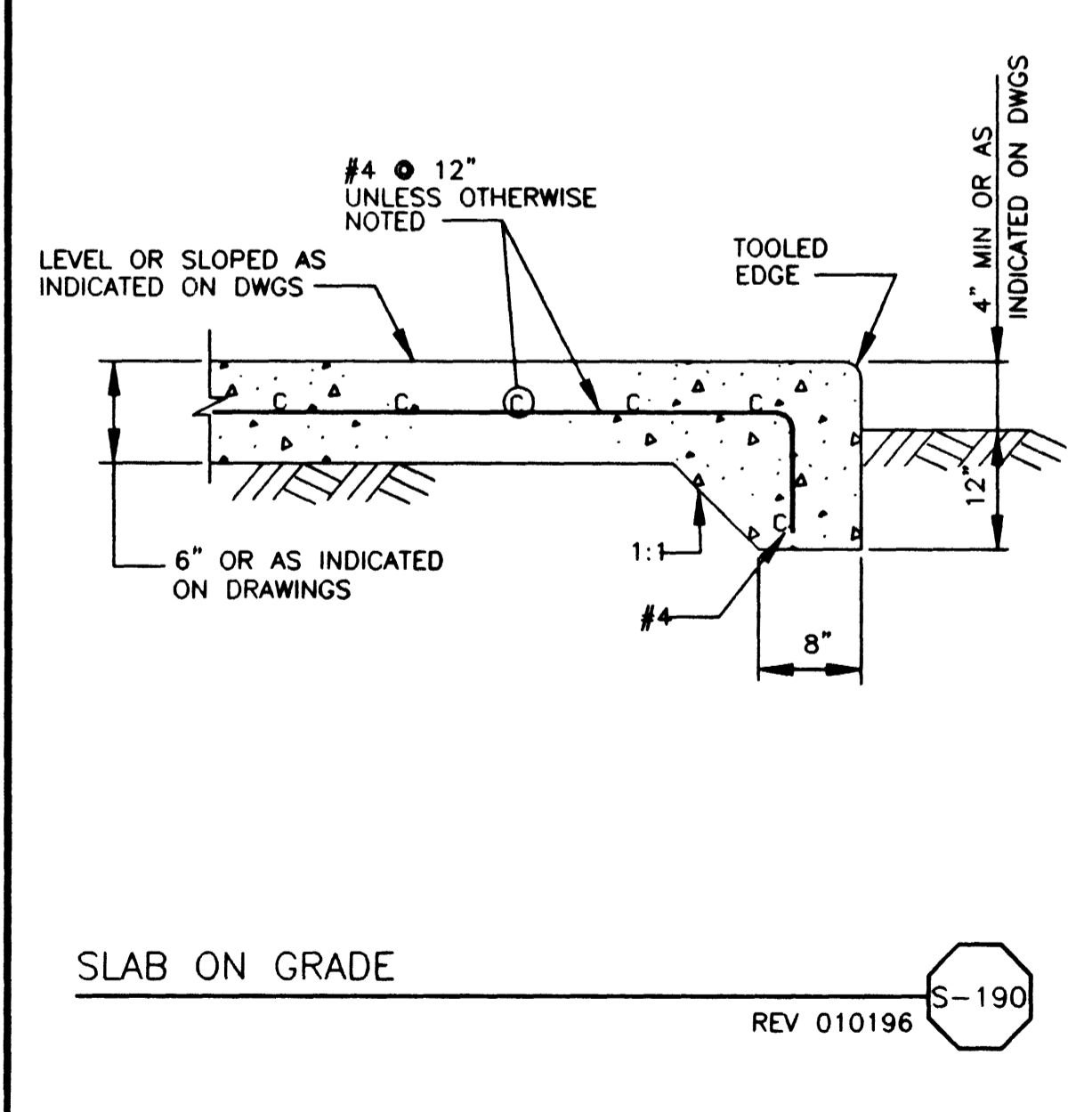
CONCRETE STAIR DETAIL
REV 010196 S-153



END OF PIPE ENCASEMENT UNDER STRUCTURES
REV 010196 S-170



EQUIPMENT BASE
REV 010196 S-192



AS BUILT DATE
10 APR 99

ROUGHEN AND CLEAN FOR BOND

TOOLED EDGE

#4 @ 12"

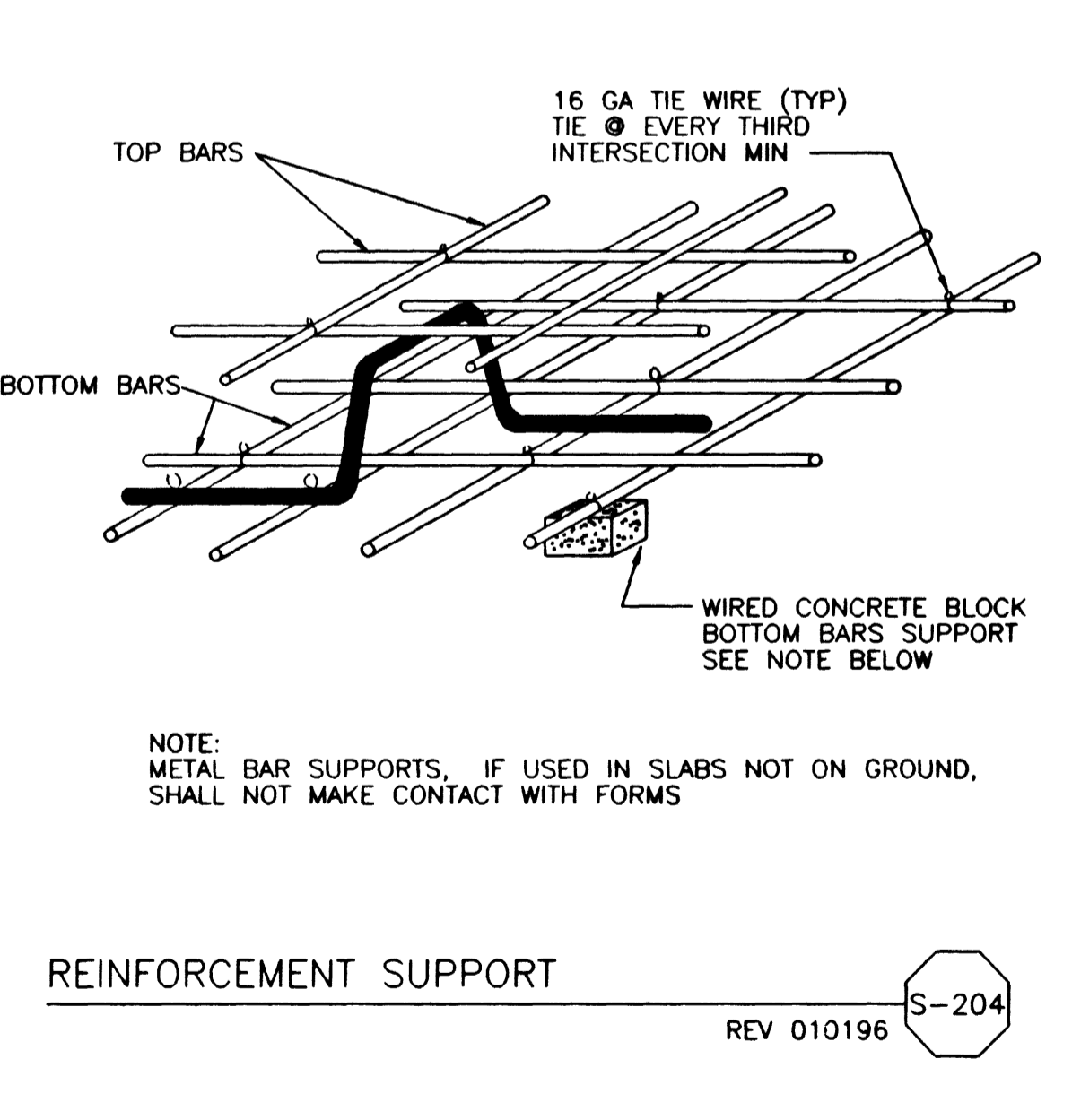
4" MIN OR AS REQUIRED

3" CLEAR SLAB ON GRADE

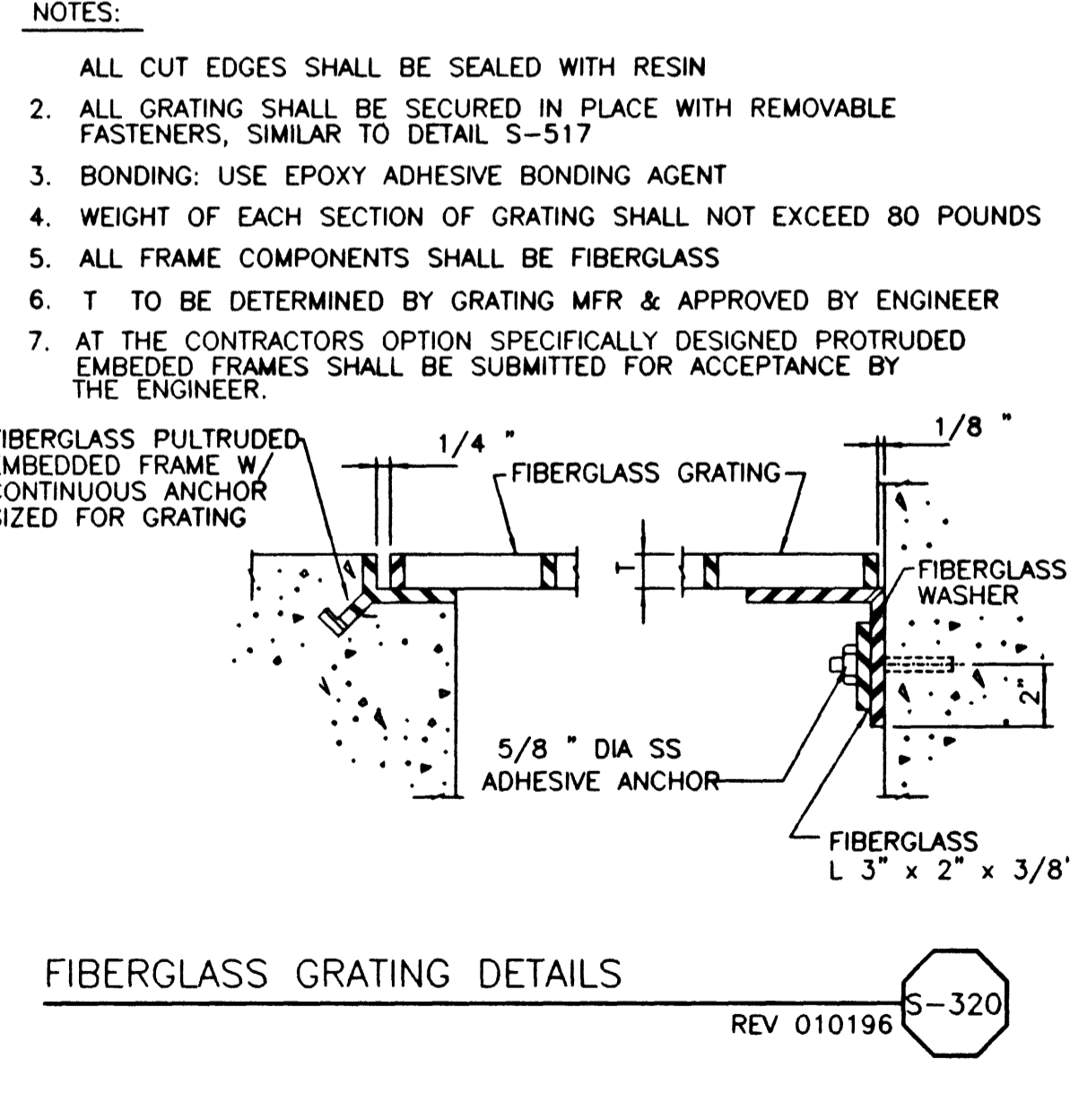
DRILL & GROUT BARS INTO SLAB

2" CLEAR FOR SUSPENDED SLAB

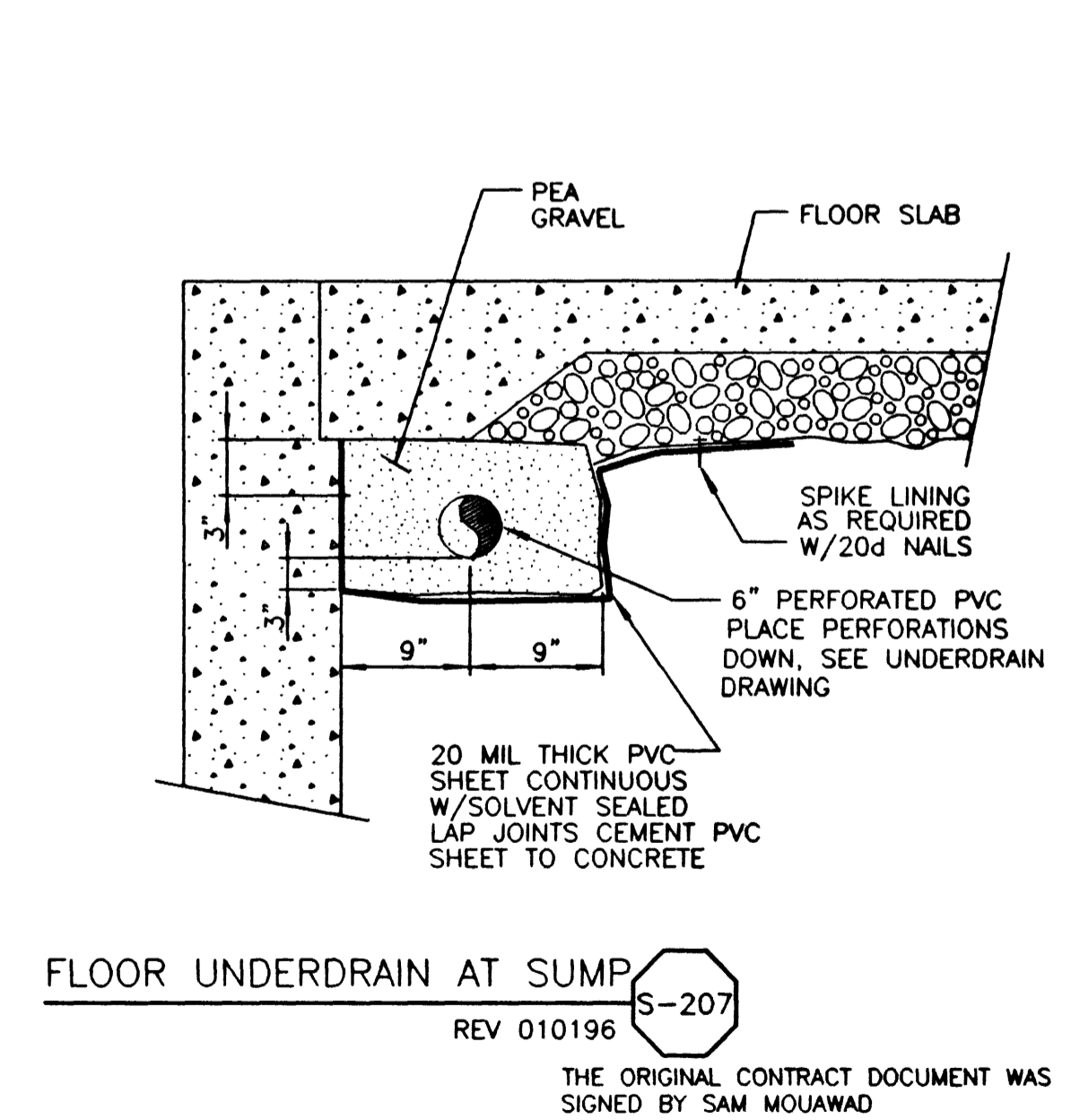
SLAB ON GRADE
REV 010196 S-190



REINFORCEMENT SUPPORT
REV 010196 S-204



FIBERGLASS GRATING DETAILS
REV 010196 S-320



FLOOR UNDERDRAIN AT SUMP
REV 010196 S-207

SCALE:	WARNING
NONE	0 1/2 1
	IF THIS BAR DOES NOT MEASURE 1 THEN DRAWING IS NOT TO SCALE.
DESIGNED MW	DRAWN MW
CHECKED C. LEE	

SUBMITTED	THE ORIGINAL CONTRACT DOCUMENT WAS SIGNED BY SAM MOUAWAD
PROJECT ENGINEER	R. C. E. NO. DATE
RECOMMENDED	THE ORIGINAL CONTRACT DOCUMENT WAS SIGNED BY VICKI J. SCHARNHORST
MONTGOMERY WATSON	R. C. E. NO. DATE

MONTGOMERY WATSON
Las Vegas, Nevada

MONTGOMERY WATSON
3014 WEST CHARLESTON BLVD
LAS VEGAS, NV 89102-1944
(702) 878-8010

CITY OF LAS VEGAS
BONANZA/MOJAVE WATER RESOURCE CENTER
STRUCTURAL STANDARD DETAILS - 3
DWG. 45
GS-3
513-64

26249