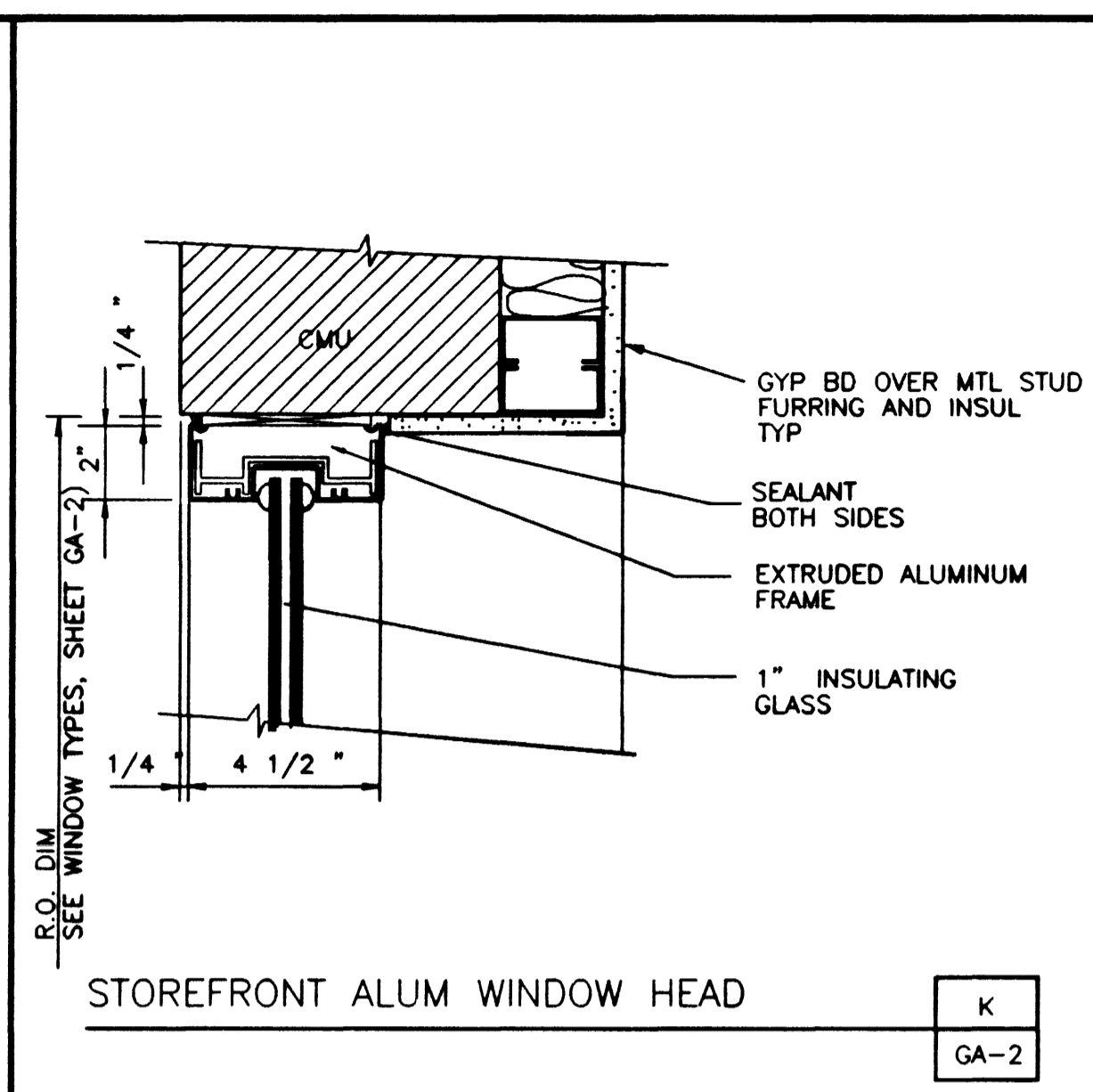
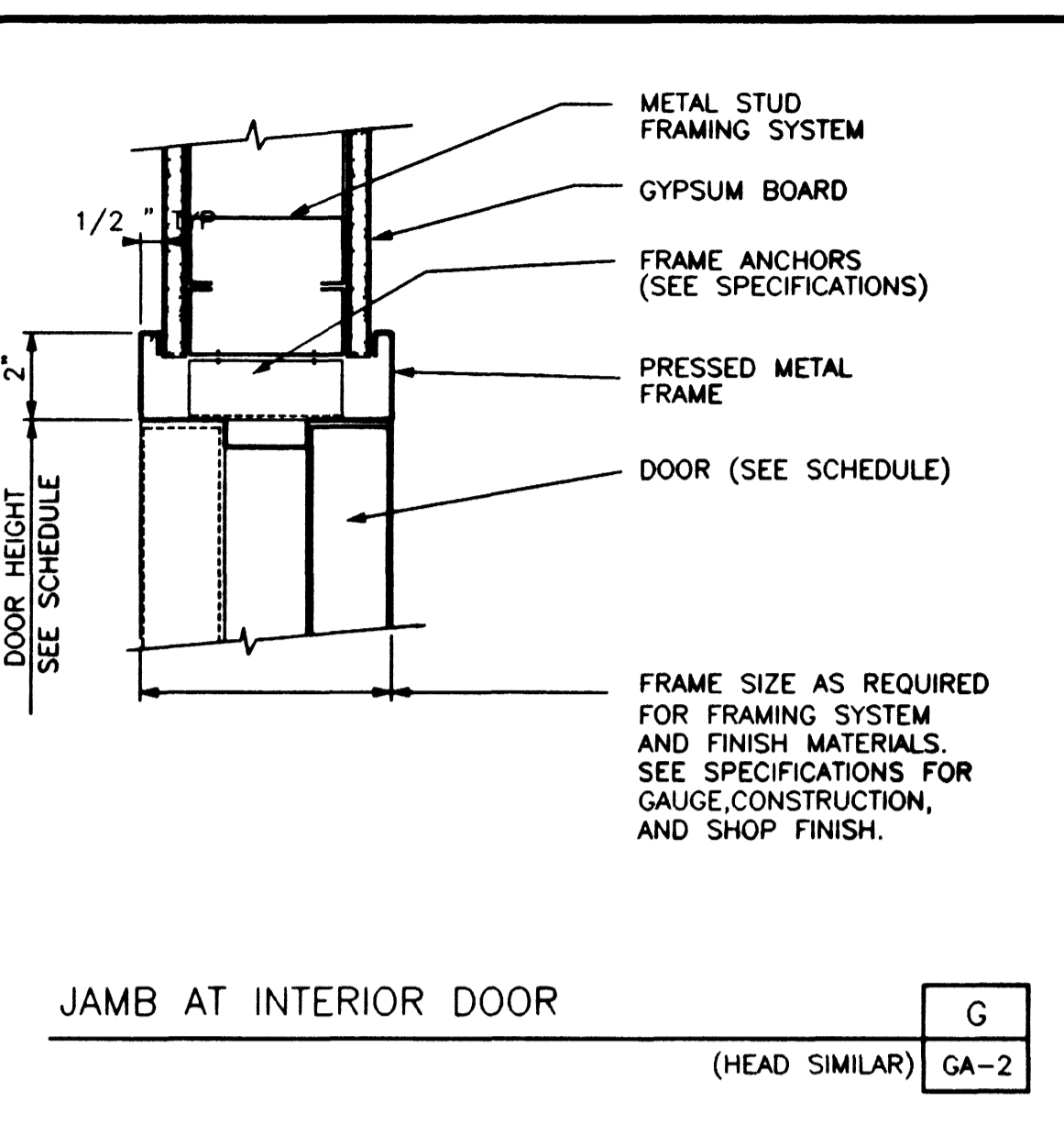


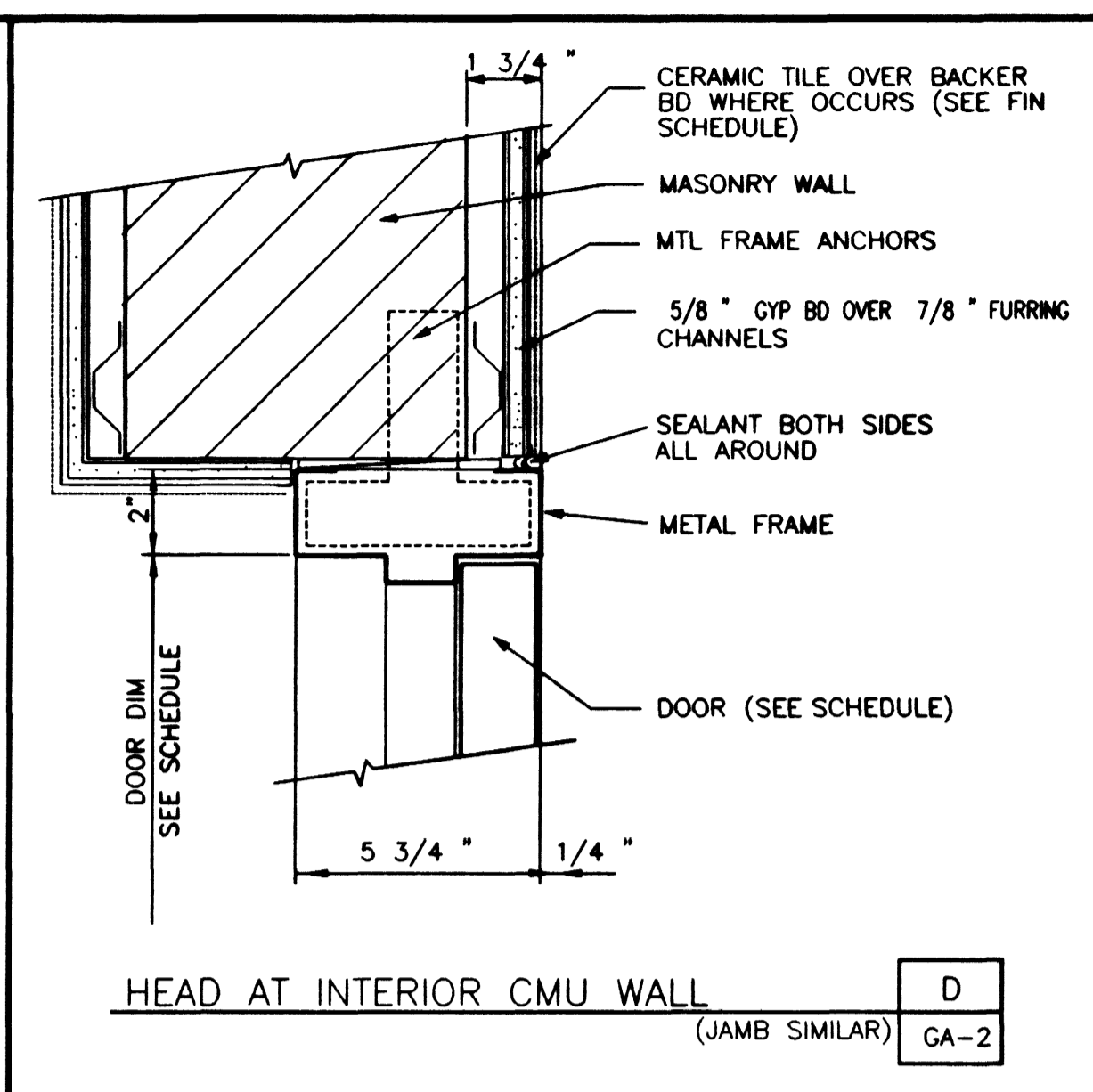
LOUVER IN MASONRY WALL N
8A-2



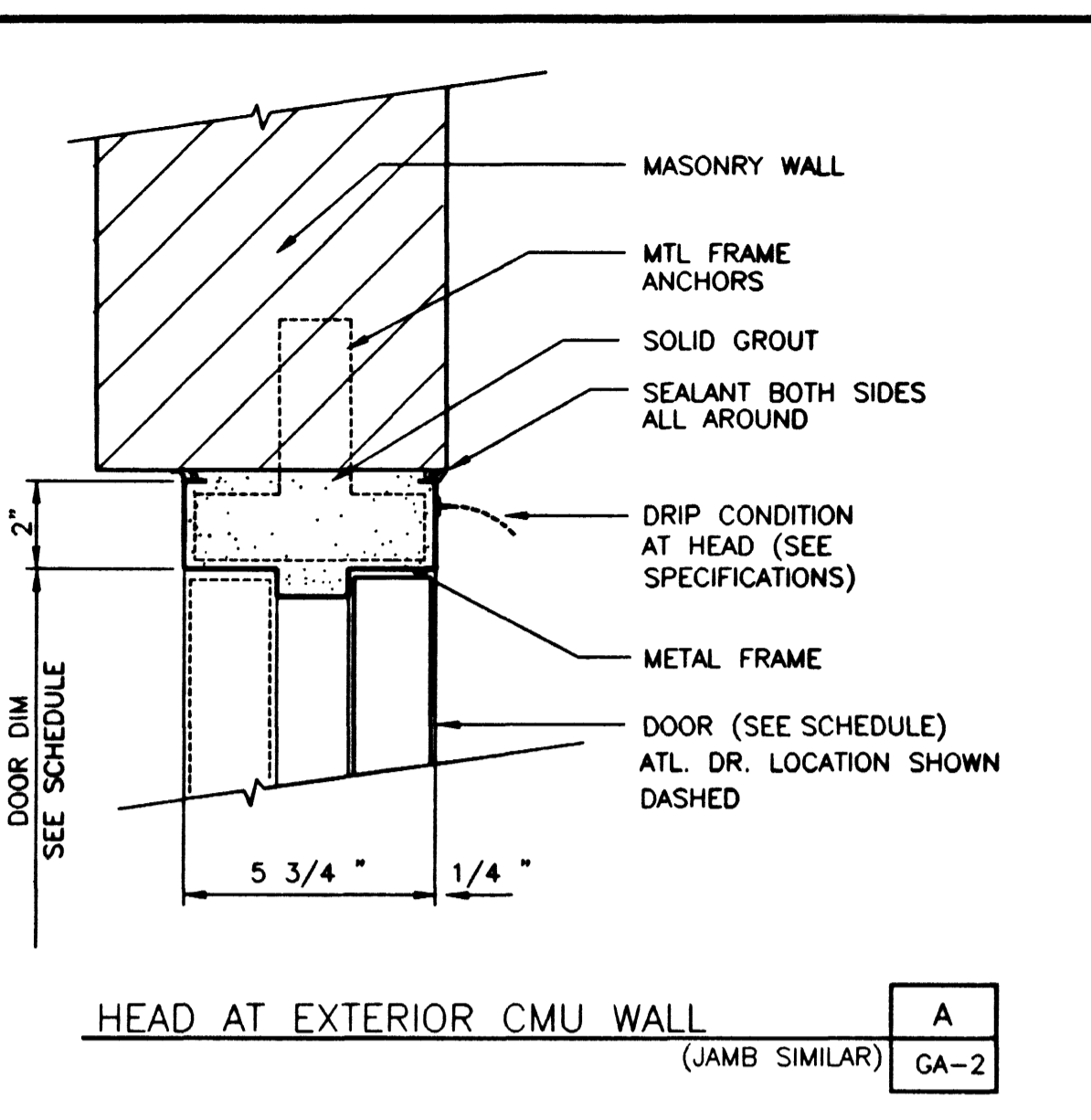
STOREFRONT ALUM WINDOW HEAD K
GA-2



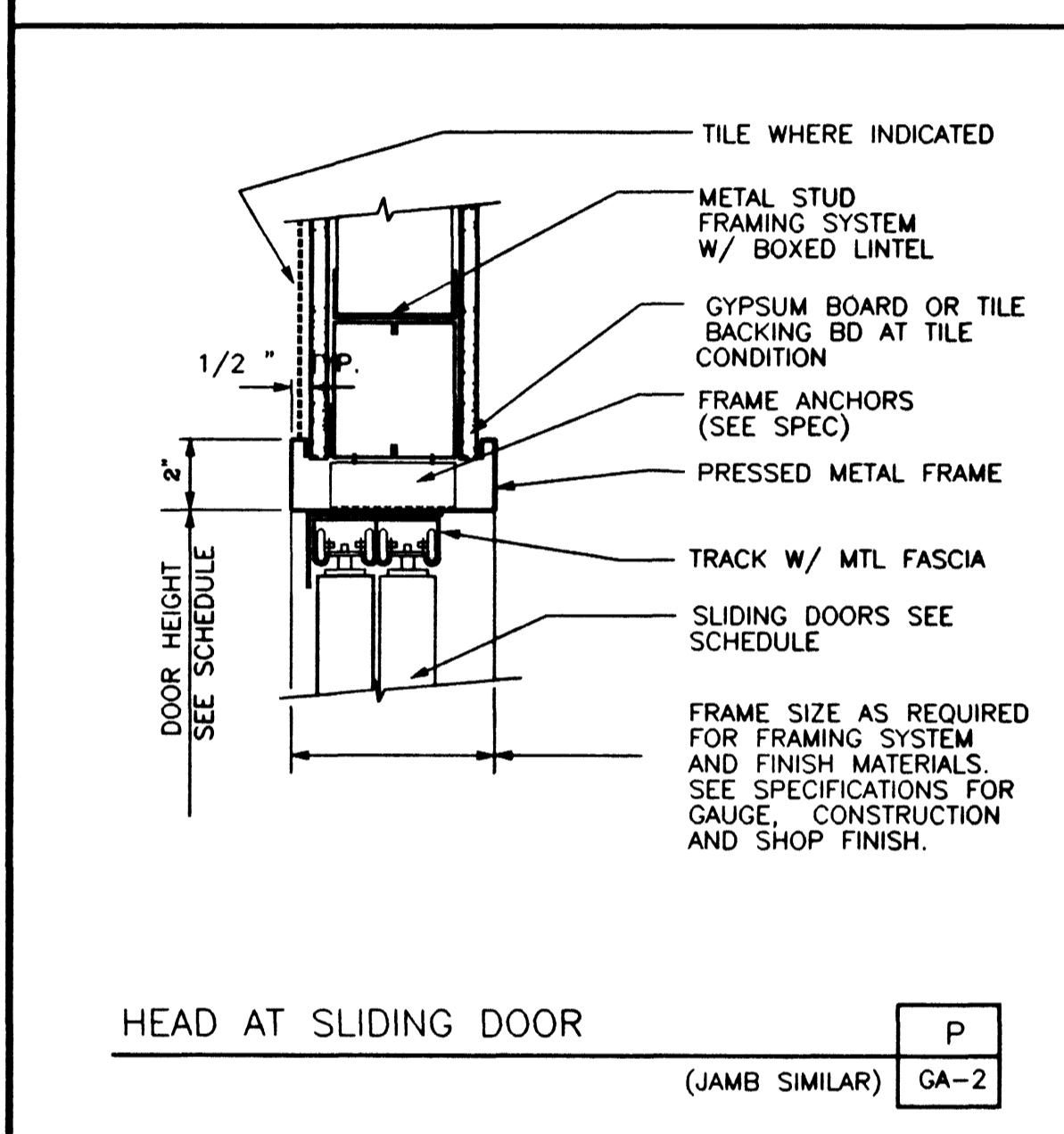
JAMB AT INTERIOR DOOR G
(HEAD SIMILAR) GA-2



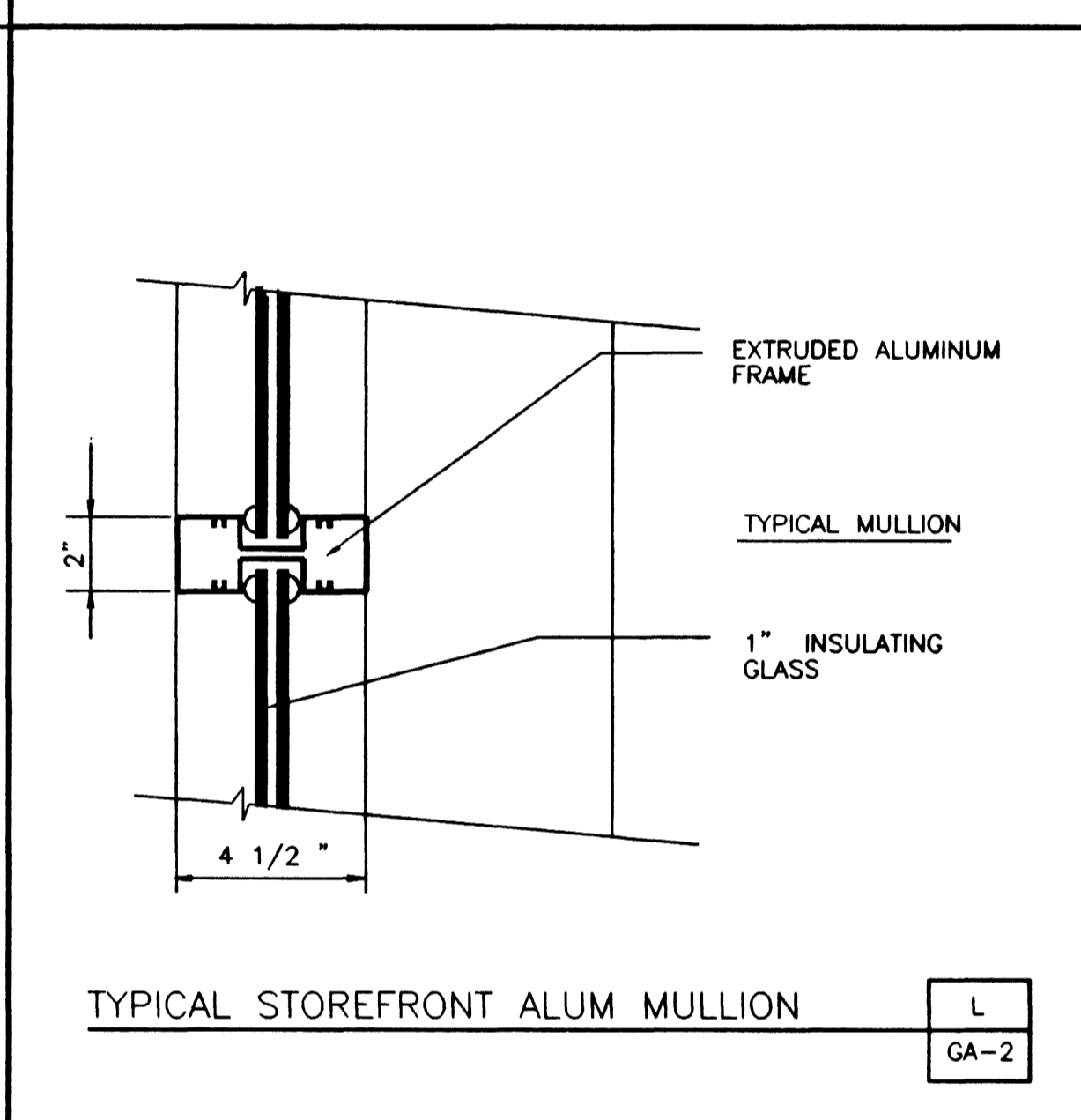
HEAD AT INTERIOR CMU WALL D
(JAMB SIMILAR) GA-2



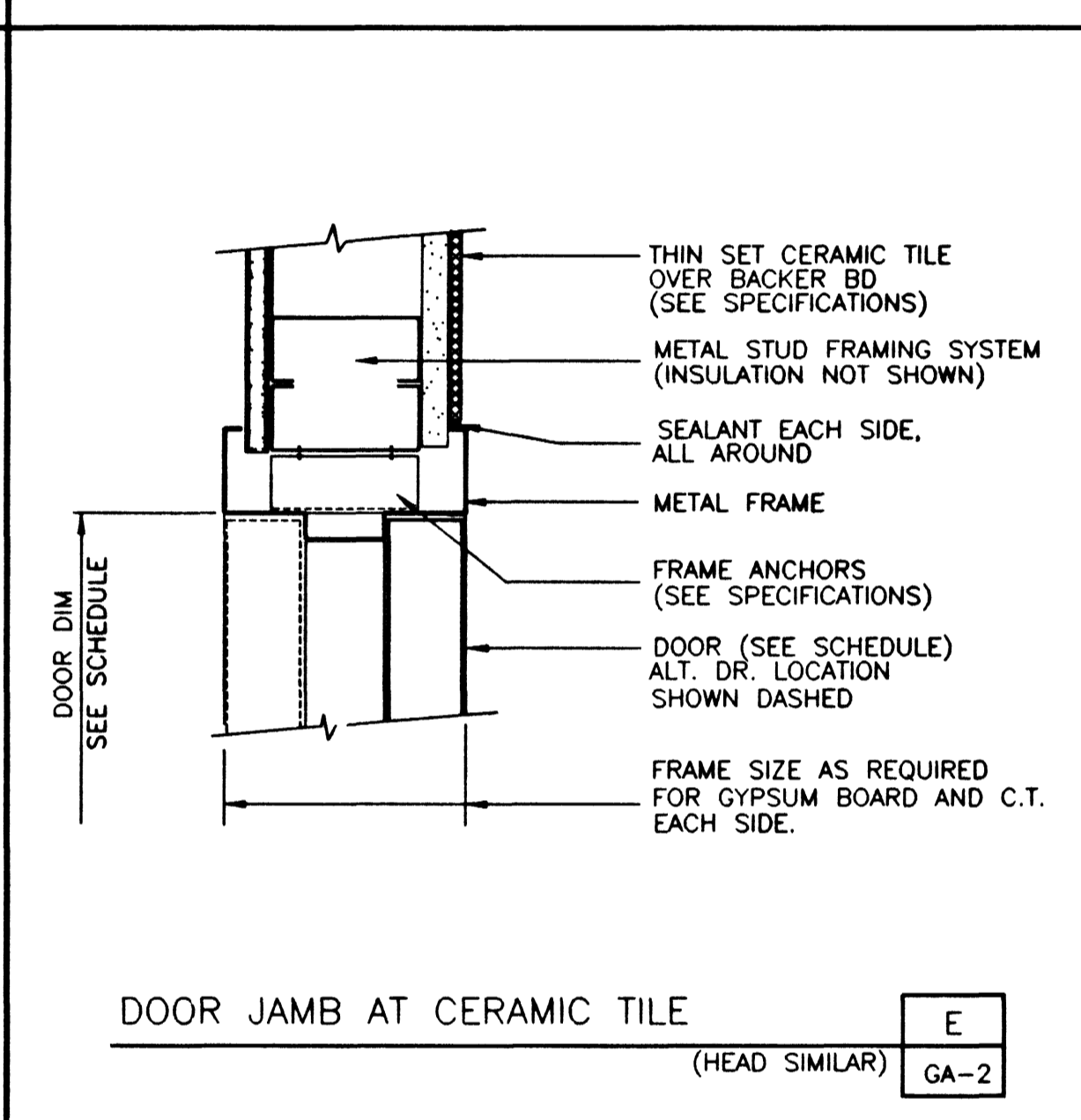
HEAD AT EXTERIOR CMU WALL A
(JAMB SIMILAR) GA-2



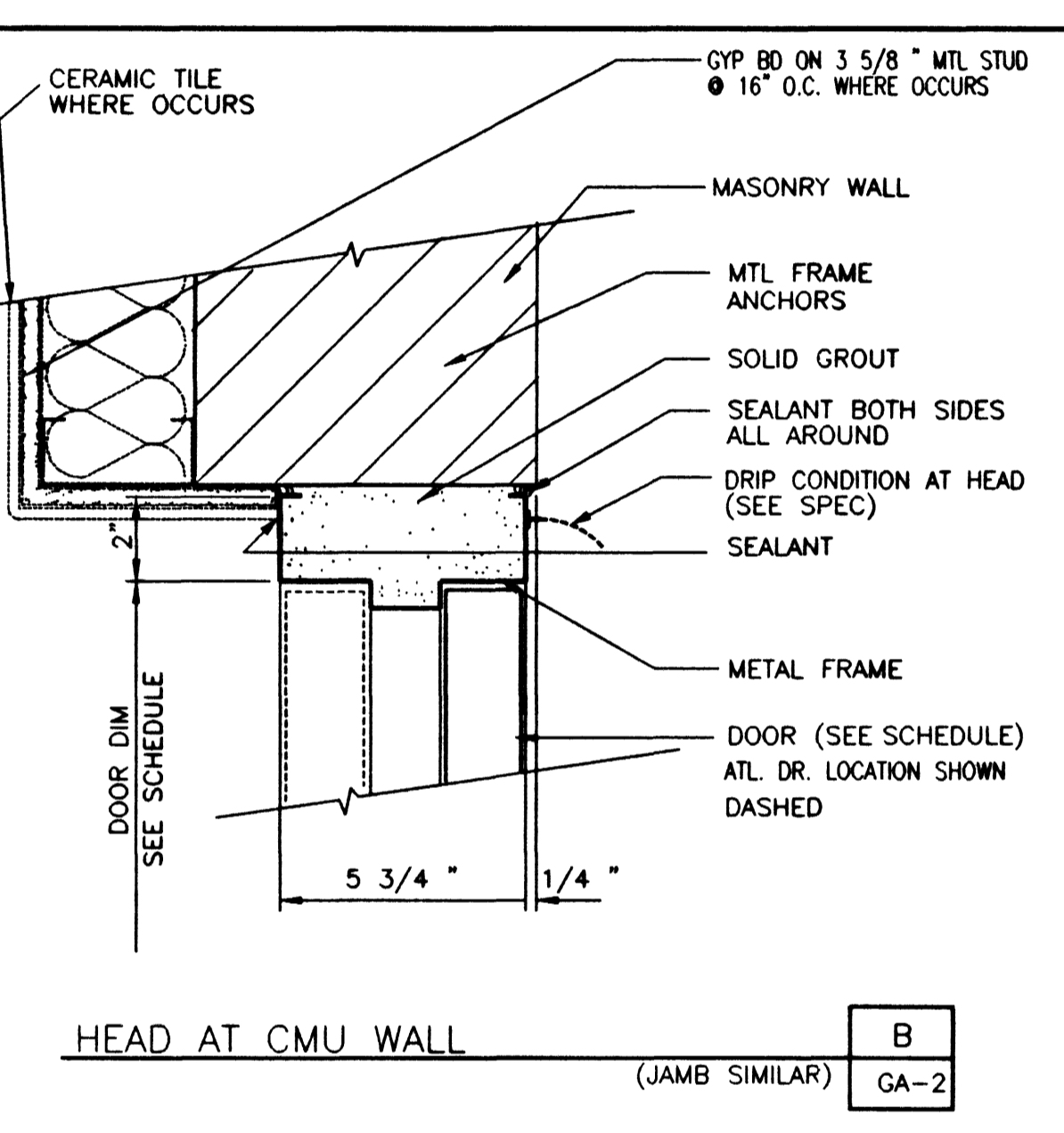
HEAD AT SLIDING DOOR P
(JAMB SIMILAR) GA-2



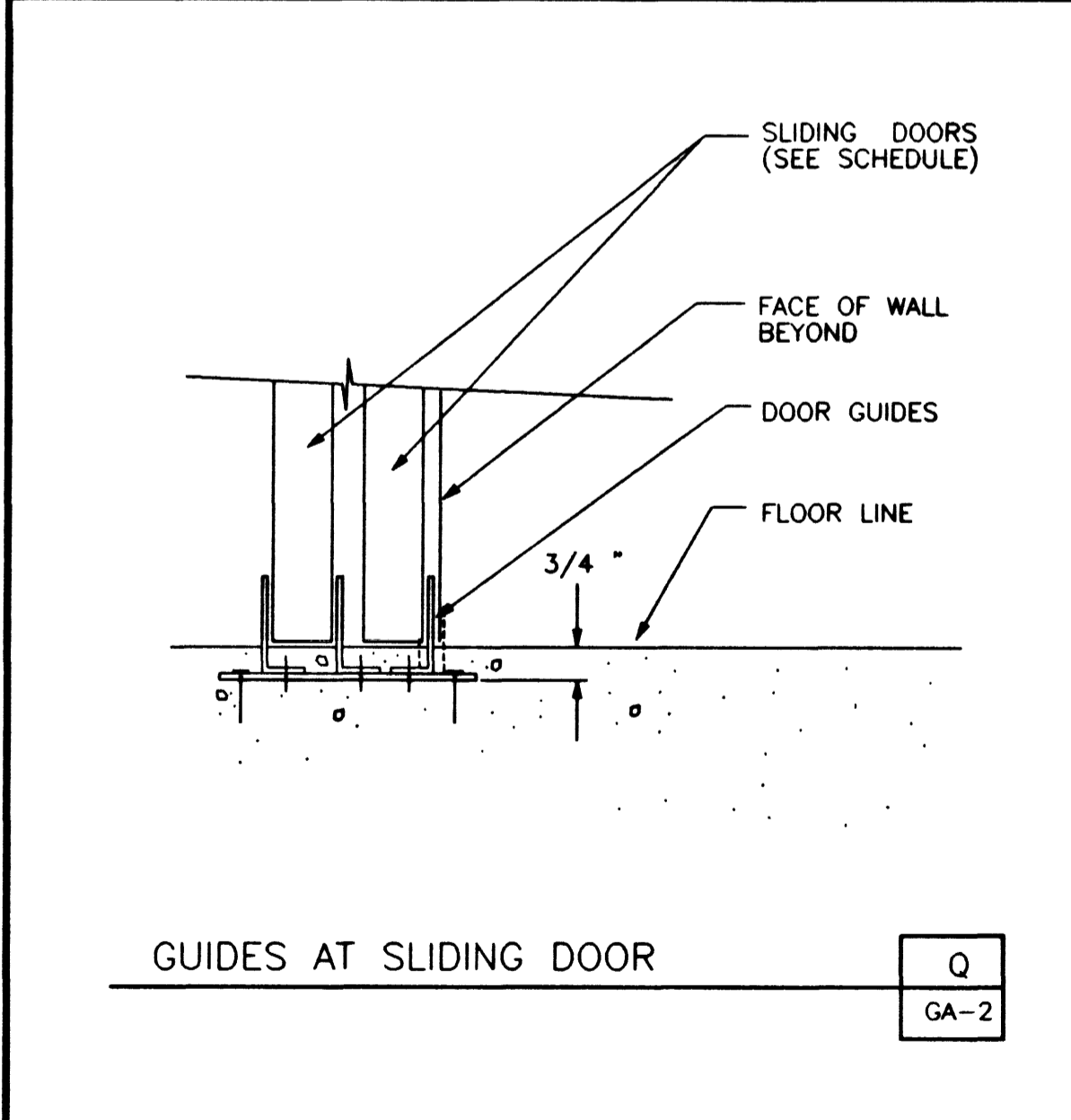
TYPICAL STOREFRONT ALUM MULLION L
GA-2



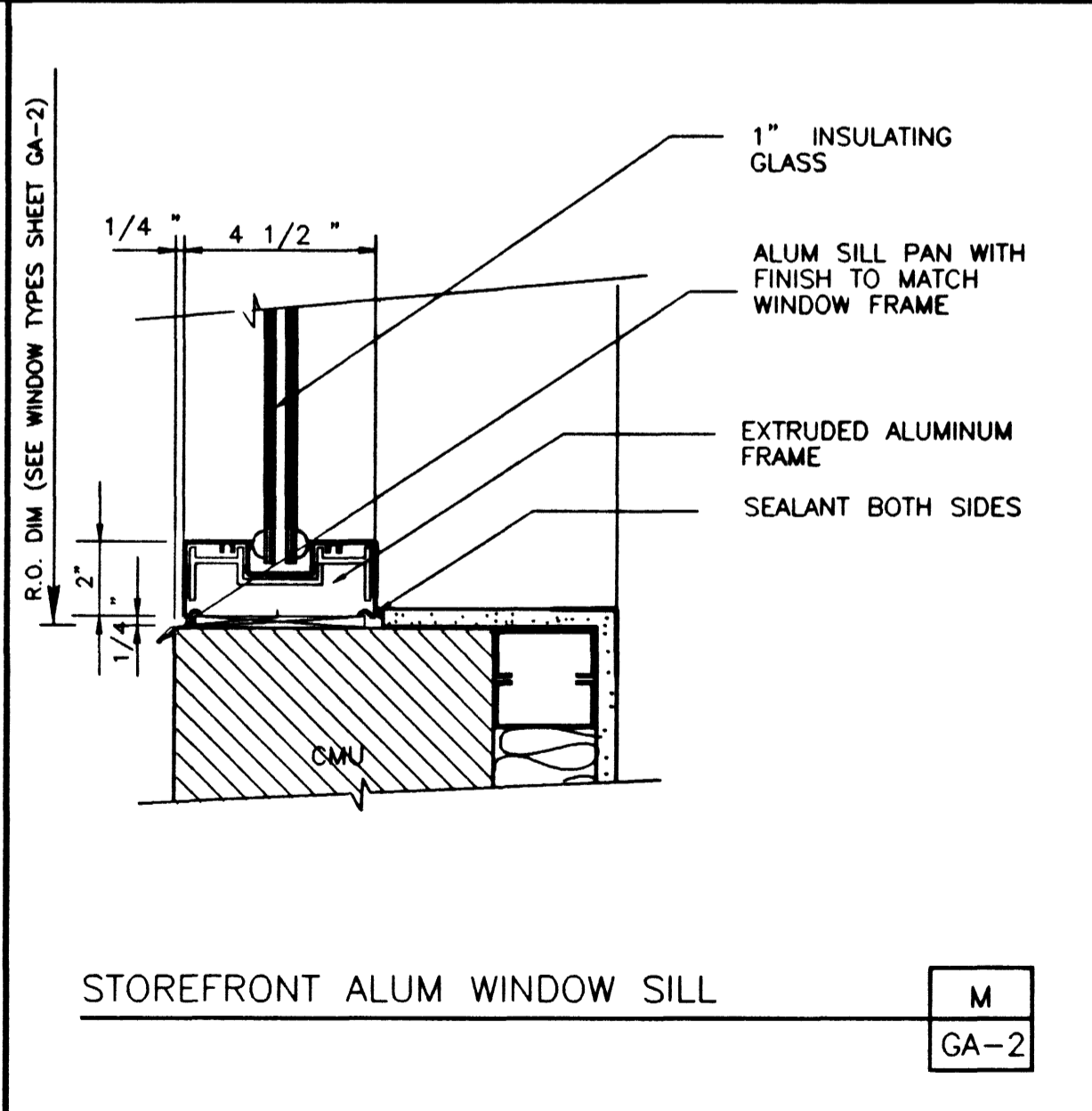
DOOR JAMB AT CERAMIC TILE E
(HEAD SIMILAR) GA-2



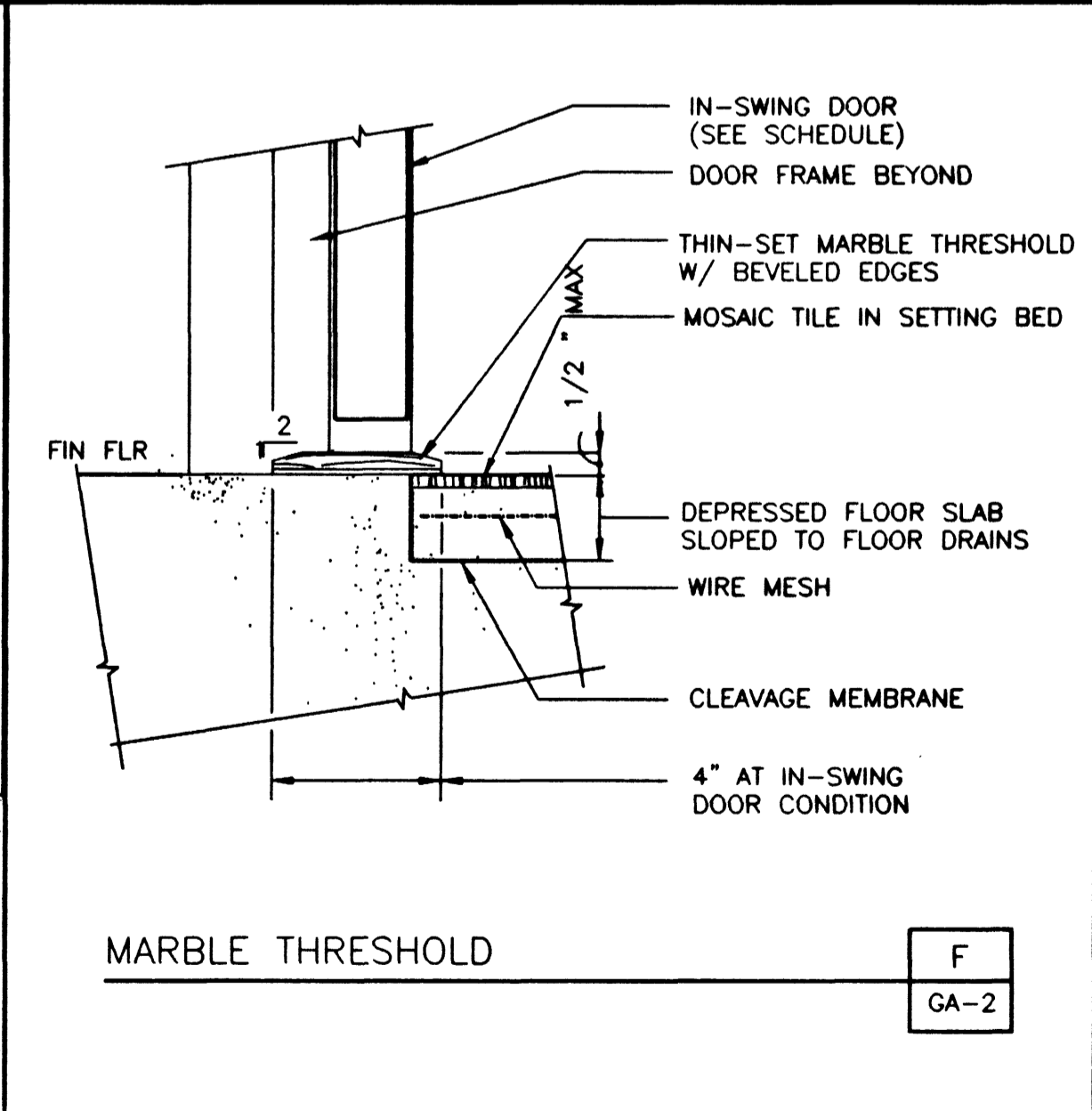
HEAD AT CMU WALL B
(JAMB SIMILAR) GA-2



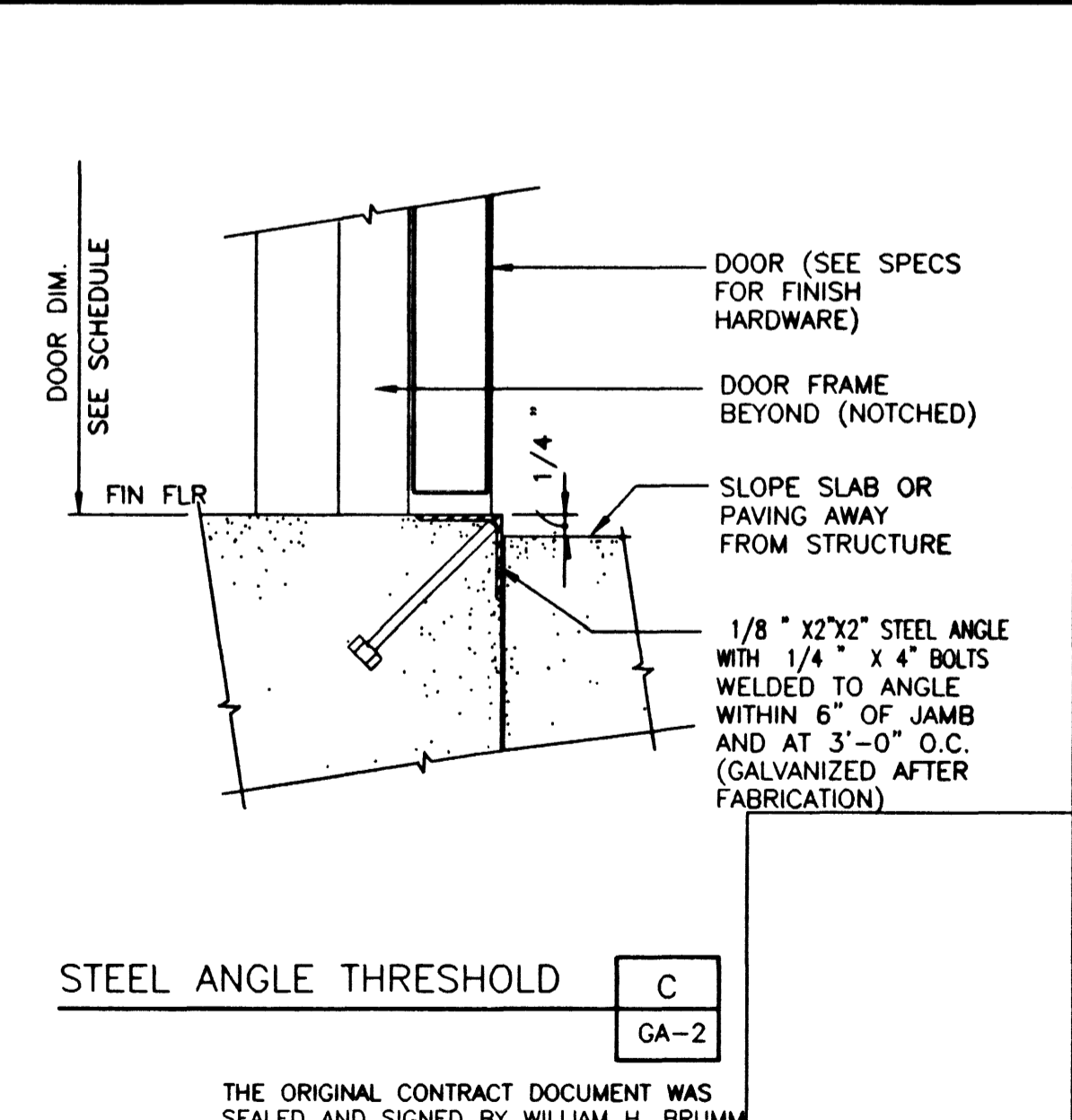
GUIDES AT SLIDING DOOR Q
GA-2




STOREFRONT ALUM WINDOW SILL M
GA-2



MARBLE THRESHOLD F
GA-2



STEEL ANGLE THRESHOLD C
GA-2

AS BUILT DATE
 9 APR 99

THE ORIGINAL CONTRACT DOCUMENT WAS SEALED AND SIGNED BY WILLIAM H. BRUMM

DATE/TIME dd-mm-yy hh:mm FILE No. directory/filename

REV	DATE	BY	DESCRIPTION

SCALE: NO SCALE
 WARNING: IF THIS BAR DOES NOT MEASURE 1" THEN DRAWING IS NOT TO SCALE.

DESIGNED: A. ELHADARY
 DRAWN: P. WANG
 CHECKED: W. BRUMM

SUBMITTED: THE ORIGINAL CONTRACT DOCUMENT WAS SIGNED BY SATISH KAMATH
 PROJECT ENGINEER: R. C. E. NO. DATE
 RECOMMENDED: THE ORIGINAL CONTRACT DOCUMENT WAS SIGNED BY WILLIAM H. BRUMM
 MONTGOMERY WATSON R. C. E. NO. DATE

 **MONTGOMERY WATSON**
 Las Vegas, Nevada

MONTGOMERY WATSON
 3014 WEST CHARLESTON BLVD
 LAS VEGAS, NV. 89102-1944
 (702) 878-8010
 COPYRIGHT © 1996 BY MONTGOMERY WATSON
 ALL RIGHTS RESERVED

CITY OF LAS VEGAS
 BONANZA/MOJAVE WATER RESOURCE CENTER
 DOOR, WINDOW & LOUVER DETAILS

DWG. 30
 GA-3
 513-64

26263