

DOOR SCHEDULE

INTERIOR FINISH SCHEDULE

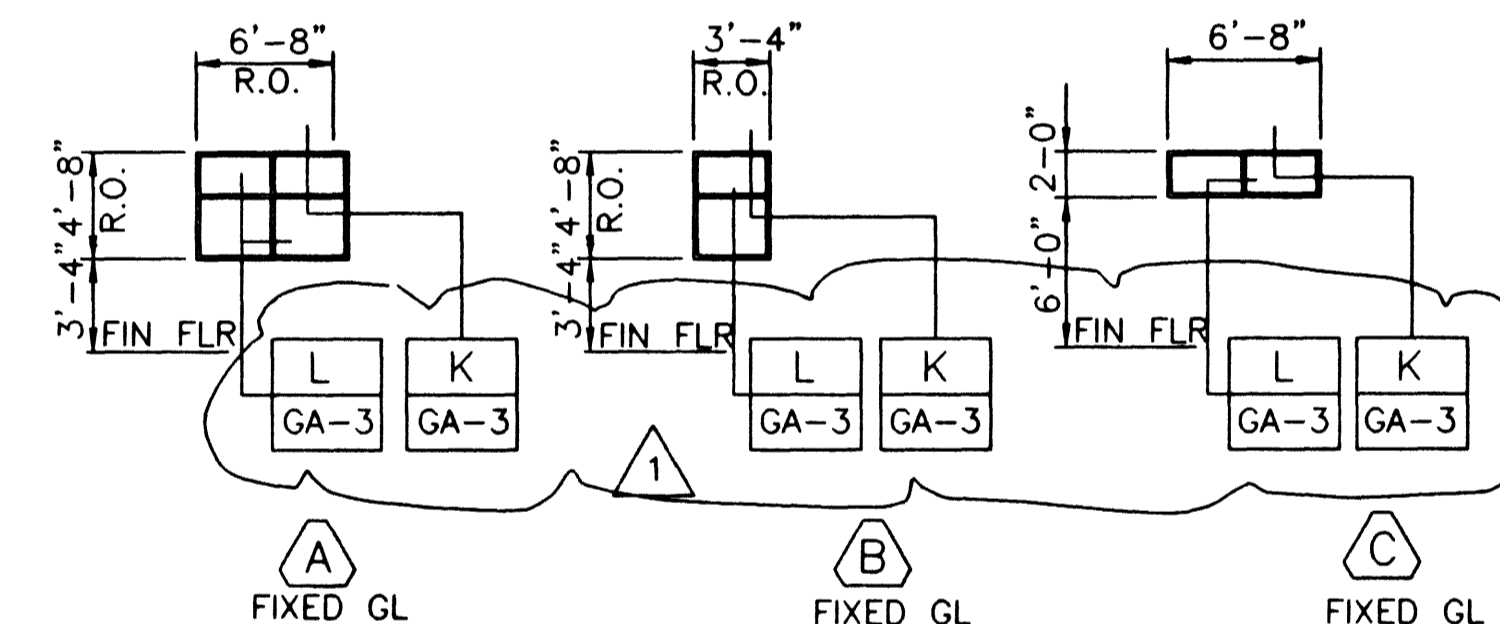
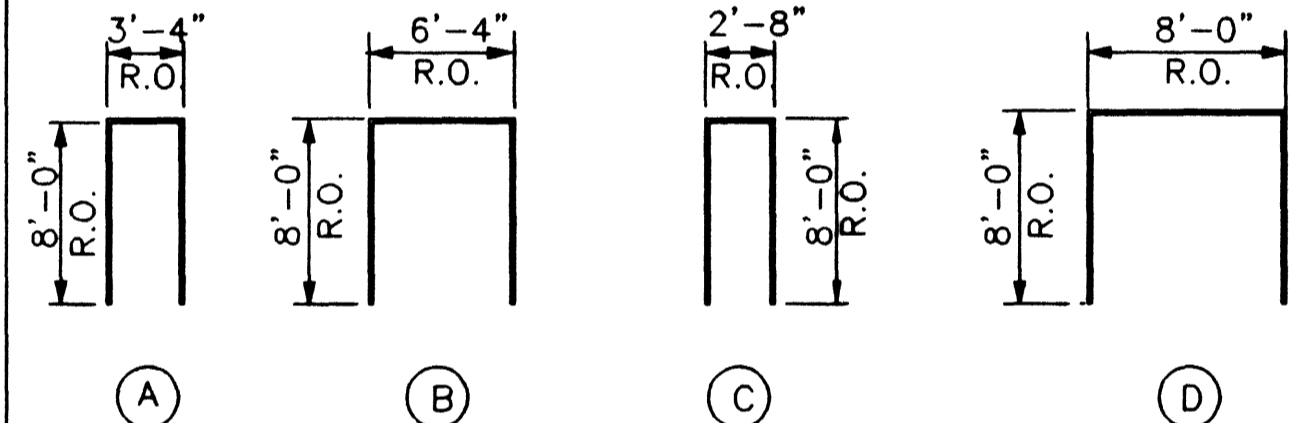
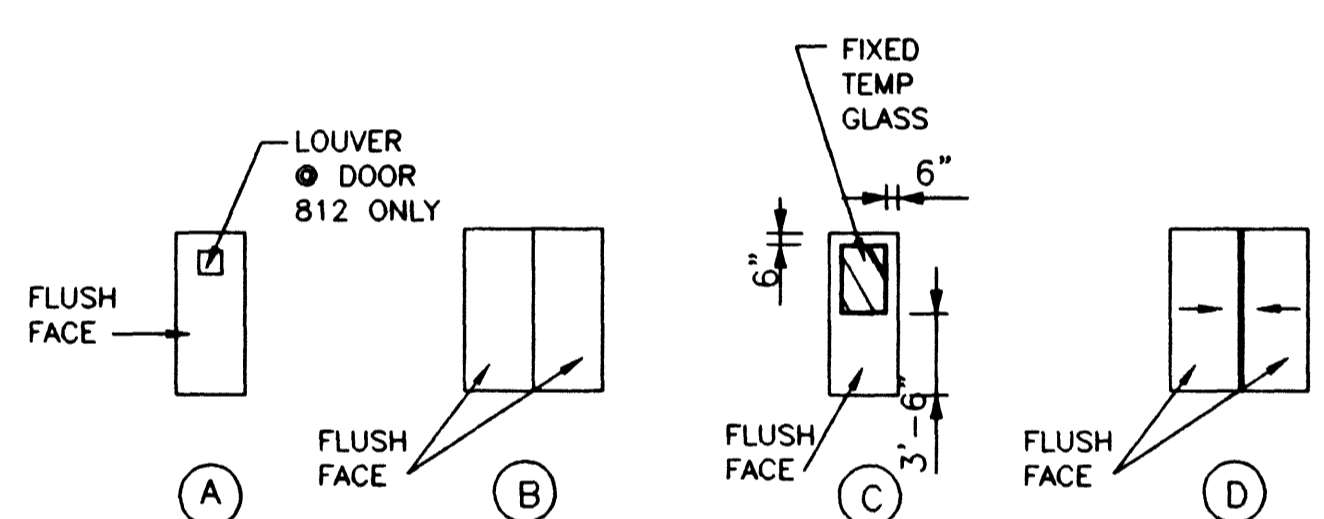
BLDG NAME	DOOR NO.	SIZE		DOOR TYPE	DOOR			FRAME		DETAILS			HARDWARE	LOUVER SIZE	REMARKS
		WIDTH	HEIGHT		THICK	MAT	FIN	MAT	FIN	TYPE	HEAD	JAMB			
CHEMICAL BUILDING	701	PR 3'-2"	7'-10"	B	1 3/4"	HM	PER SPEC	HM	PER SPEC	B	A/GA-3	A/GA-3	C/GA-3	HW-4	
	702	3'-0"	7'-10"	C	1 3/4"	HM	PER SPEC	HM	PER SPEC	A	A/GA-3	A/GA-3	C/GA-3	HW-1	
	703	3'-0"	7'-10"	C	1 3/4"	HM	PER SPEC	HM	PER SPEC	A	A/GA-3	A/GA-3	C/GA-3	HW-1	
	704	3'-0"	7'-10"	A	1 3/4"	HM	PER SPEC	HM	PER SPEC	A	A/GA-3	A/GA-3	C/GA-3	HW-1	
CONTROL BUILDING	801	3'-0"	7'-10"	C	1 3/4"	HM	PER SPEC	HM	PER SPEC	A	B/GA-3	B/GA-3	C/GA-3	HW-1	
	802	3'-0"	7'-10"	C	1 3/4"	HM	PER SPEC	HM	PER SPEC	A	G/GA-3	G/GA-3	-	HW-5	
	803	3'-0"	7'-10"	A	1 3/4"	HM	PER SPEC	HM	PER SPEC	A	B/GA-3	B/GA-3	C/GA-3	HW-1	
	804	3'-0"	7'-10"	C	1 3/4"	HM	PER SPEC	HM	PER SPEC	A	G/GA-3	G/GA-3	-	HW-5	
	805	3'-0"	7'-10"	A	1 3/4"	HM	PER SPEC	HM	PER SPEC	A	G/GA-3	B/GA-3	-	HW-5	
	806	3'-0"	7'-10"	A	1 3/4"	HM	PER SPEC	HM	PER SPEC	A	D/GA-3	D/GA-3	F/GA-3	HW-2	
	807	3'-0"	7'-10"	A	1 3/4"	HM	PER SPEC	HM	PER SPEC	A	D/GA-3	D/GA-3	F/GA-3	HW-2	
	808	3'-0"	7'-10"	A	1 3/4"	HM	PER SPEC	HM	PER SPEC	A	D/GA-3	D/GA-3	-	HW-5	ONE-HOUR FIRE RATED
	809	PR 3'-2"	7'-10"	B	1 3/4"	HM	PER SPEC	HM	PER SPEC	B	B/GA-3	B/GA-3	C/GA-3	HW-4	ONE-HOUR FIRE RATED
	810	3'-0"	7'-10"	A	1 3/4"	HM	PER SPEC	HM	PER SPEC	A	B/GA-3	B/GA-3	C/GA-3	HW-1	ONE-HOUR FIRE RATED
	811	3'-0"	7'-10"	A	1 3/4"	HM	PER SPEC	HM	PER SPEC	A	B/GA-3	B/GA-3	C/GA-3	HW-1	
	812	2'-4"	7'-10"	A	1 3/4"	HM	PER SPEC	HM	PER SPEC	C	B/GA-3	B/GA-3	C/GA-3	HW-6	12"x12"
	813	PR 4'-0"	7'-10"	D	1 3/8"	HM	PER SPEC	PER SPEC	D	P/GA-3	P/GA-3	Q/GA-3	HW-3		SLIDING DOOR

BLDG NAME	ROOM NO.	ROOM DESCRIPTION	FLOOR		BASE	WAINSCOT		WALL		CEILING		REMARKS
			MATERIAL	FIN. SYS.		MATERIAL	FIN. SYS.	MATERIAL	FIN. SYS.	MATERIAL	FIN. SYS.	
CHEMICAL BUILDING	701	METERING PUMP ROOM	SEALED CONC	-	-	-	-	CMU	-	GYP BD	PER SPECS	
	702	ELECTRICAL ROOM	SEALED CONC	-	-	-	-	CMU	-	GYP BD	PER SPECS	
CONTROL BUILDING	801	HALLWAY	SHT VINYL	-	TOP SET	-	-	CMU/GYP BD	-	ACOUST TILE	PER SPECS	
	802	SAMPLE PREP AREA	SHT VINYL	-	TOP SET	-	-	GYP BD	-	ACOUST TILE	PER SPECS	
	803	CONTROL ROOM	SHT VINYL	-	TOP SET	-	-	GYP BD	-	ACOUST TILE	PER SPECS	
	804	STORAGE	SHT VINYL	-	-	-	-	CMU	-	GYP BD	PER SPECS	
	805	SHOWER ROOM	MOSAIC TILE	-	CER TILE	-	-	CER TILE	-	GYP BD	PER SPECS	
	805A	CLOSET	SHT VINYL	-	TOP SET	-	-	GYP BD	-	GYP BD	PER SPECS	
	806	WATER HEATER	SEALED CONC	-	TOP SET	-	-	GYP BD	-	GYP BD	PER SPECS	
	807	ELECTRICAL ROOM	SEALED CONC	-	TOP SET	-	-	GYP BD	-	GYP BD	PER SPECS	* EXPOSED CONSTRUCTION
	808	TOILET	MOSAIC TILE	-	CER TILE	-	-	GYP BD	-	GYP BD	PER SPECS	
809	WORK ROOM	SEALED CONC	-	TOP SET	-	-	GYP BD	-	GYP BD	PER SPECS		

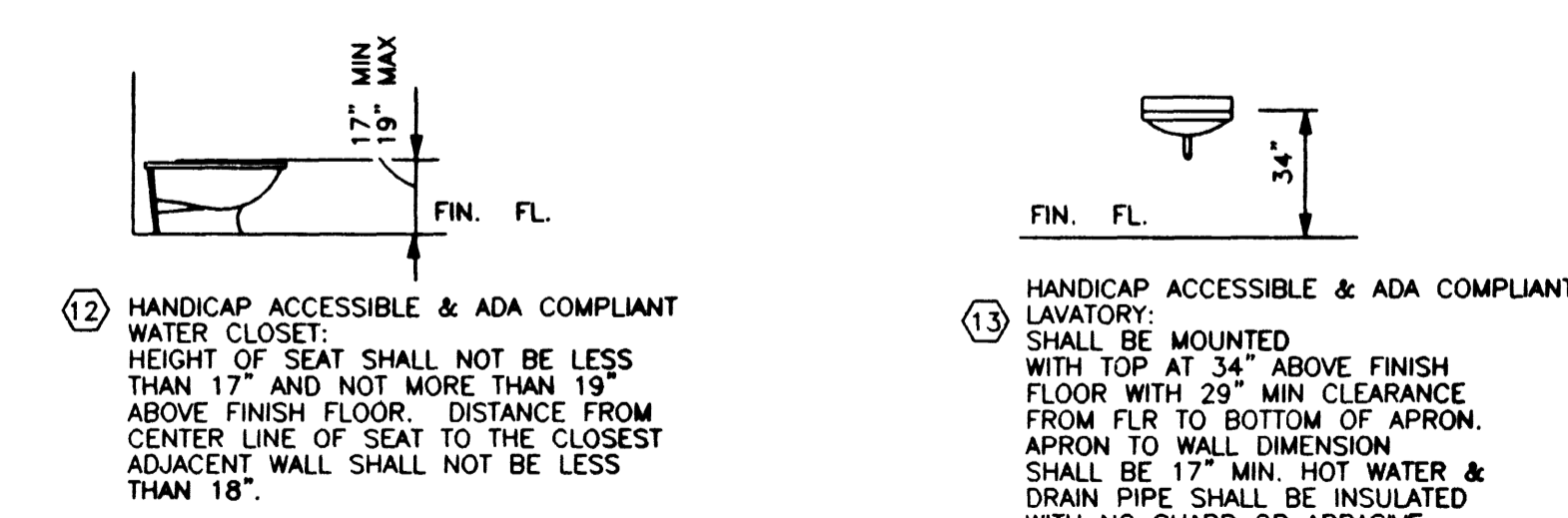
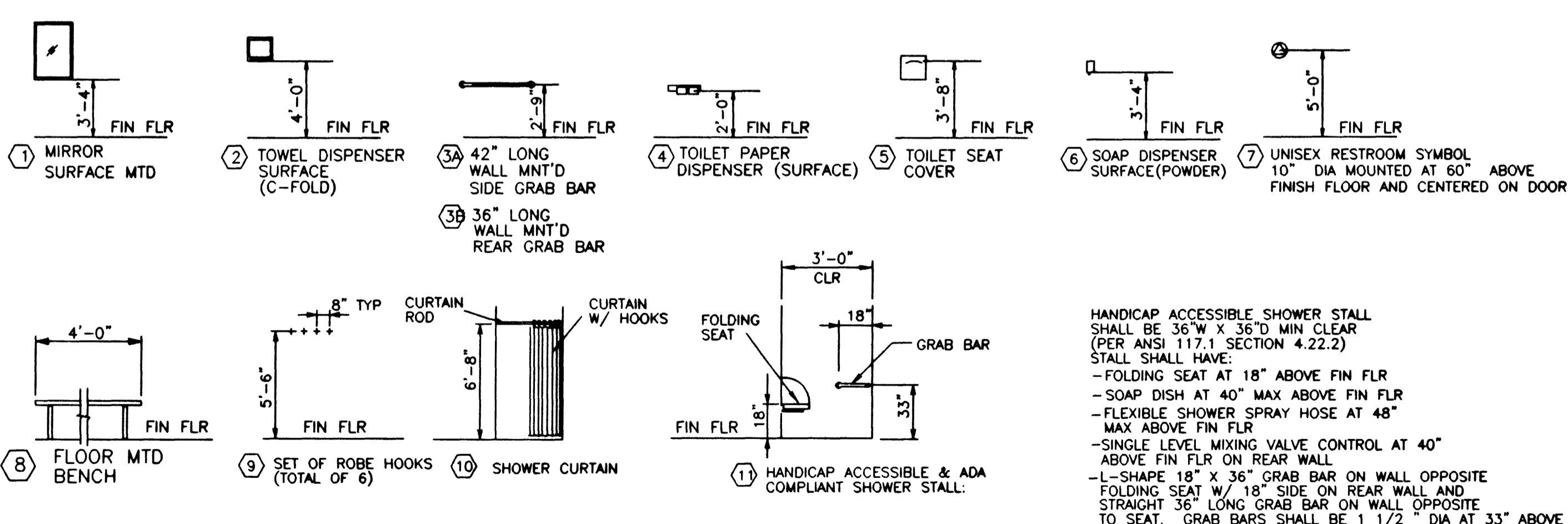
DOOR TYPES

FRAME TYPES

WINDOW TYPES



TOILET ACCESSORIES



AS BUILT DATE

 9 APR 99

DATE/TIME dd-mm-yy hh:mm FILE No.
 JOB No.
 26282

SCALE: NO SCALE	WARNING: IF THIS BAR DOES NOT MEASURE 1" THEN DRAWING IS NOT TO SCALE.	DESIGNED: A. ELHADARY	SUBMITTED: THE ORIGINAL CONTRACT DOCUMENT WAS SIGNED BY SATISH KAMATH	 MONTGOMERY WATSON Las Vegas, Nevada	MONTGOMERY WATSON 3014 WEST CHARLESTON BLVD LAS VEGAS, NV. 89102-1944 (702) 878-8010	CITY OF LAS VEGAS BONANZA/MOJAVE WATER RESOURCE CENTER	DWG 38
REV DATE BY DESCRIPTION		DRAWN: P. WANG	PROJECT ENGINEER: R. C. E. NO. DATE		COPYRIGHT © 1996 BY MONTGOMERY WATSON ALL RIGHTS RESERVED	FINISH SCHEDULES, DOOR & WINDOW SCHEDULES	GA-2 513-64