
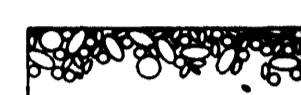

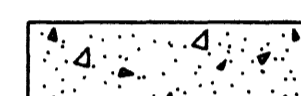
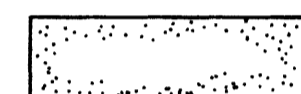


ARCHITECTURAL SYMBOLS

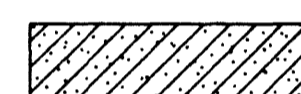
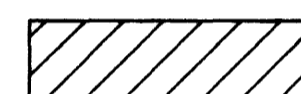
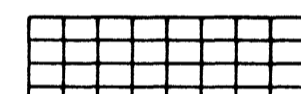
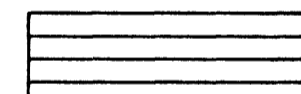
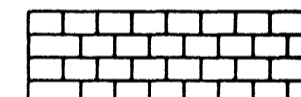
EARTHWORKS

-  EARTH/COMPACT FILL
-  GRAVEL
-  STONE (PLAN & ELEV)





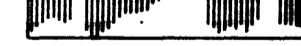
CONCRETE

-  CAST-IN-PLACE/PRECAST
-  SAND/MORTAR/PLASTER/CUT STONE

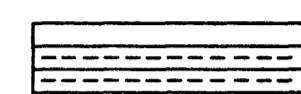

MASONRY

-  ADOBE/RAMMED EARTH
-  MASONRY/CONC. BLOCK OR BRICK
-  MASONRY - BRICK OR BLOCK - STACK BOND ELEVATION
-  BRICK IN ELEVATION
-  BLOCK IN ELEVATION


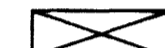
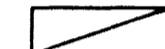


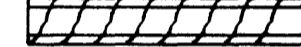
METAL

-  FLASHING
-  ALUMINUM
-  BRASS/BRONZE
-  STEEL/OTHER METALS
-  SHEET METAL (ELEV)



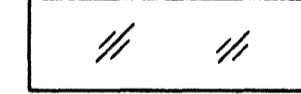
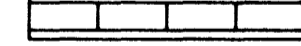
STONE

-  STONE/SLATE
-  MARBLE (SECTION, PLAN OR ELEVATIONS)

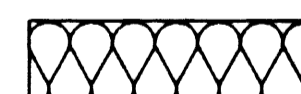


WOOD

-  FINISH IN SECTION OR PANNELING ELEV
-  LUMBER (ROUGH)
-  LUMBER (BLOCKING)
-  HARDBOARD
-  LAMINATED BEAM OR LUMBER
-  PLYWOOD (SMALL SCALE)

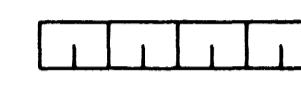
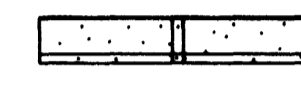
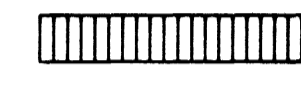

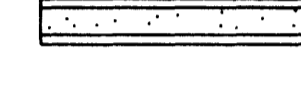
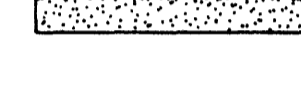
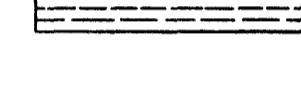
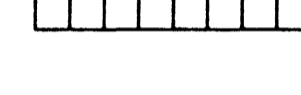

GLASS

-  GLASS (SMALL SCALE)
-  GLASS IN DETAIL OR SECTION
-  GLASS IN ELEVATION
-  GLASS BLOCK

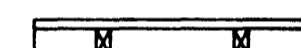
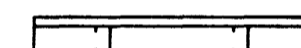
INSULATION

-  BATT/LOOSE FILL
-  RIGID
-  INSULATION (SMALL SCALE)

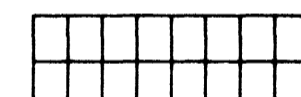
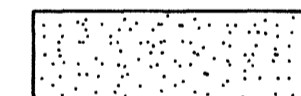
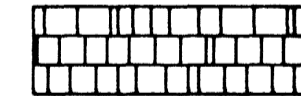
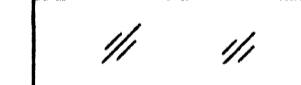
FINISHES

-  ACOUSTICAL TILE
-  CERAMIC TILE (LARGE SCALE)
-  CERAMIC TILE (SMALL SCALE)
-  CARPET AND PAD
-  GYPSUM WALLBOARD
-  METAL LATH AND PLASTER
-  PLASTIC
-  RESILIENT FLOORING/PLASTIC LAMINATE
-  TERRAZZO

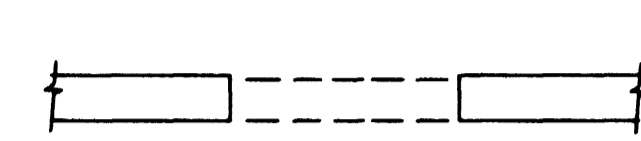
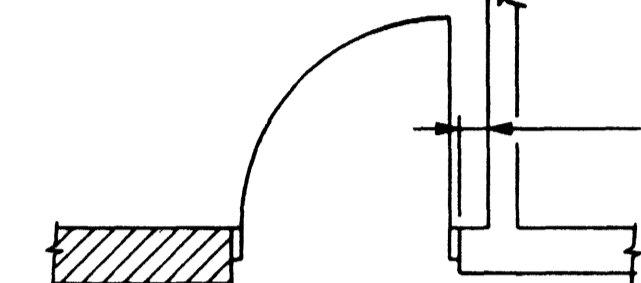
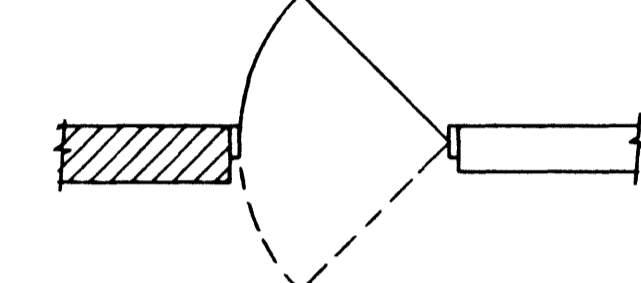
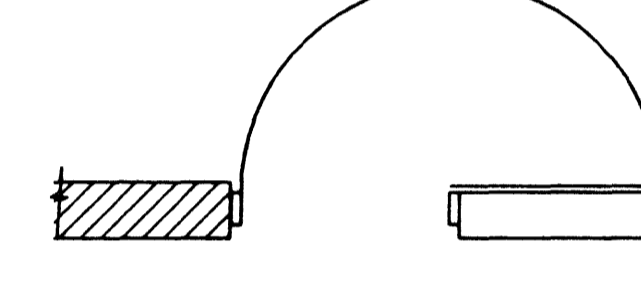
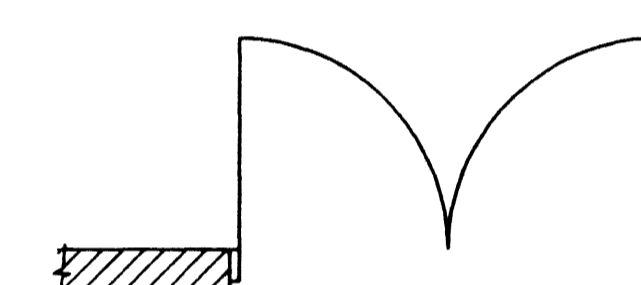


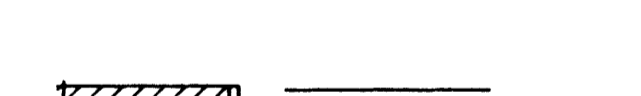



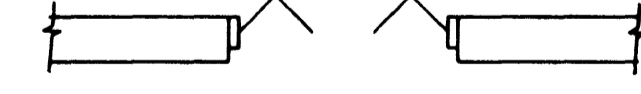
PARTITION INDICATIONS

-  WOOD STUD
-  METAL STUD

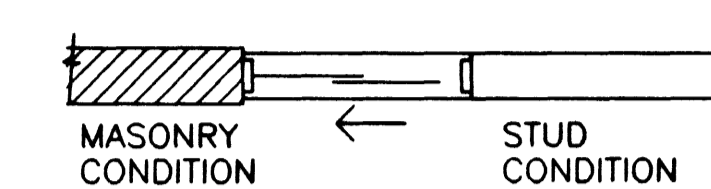
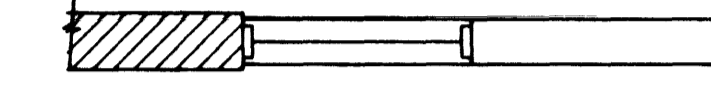
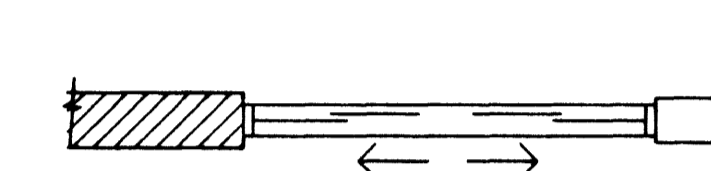
ELEVATION INDICATIONS

-  CERAMIC TILE
-  CONCRETE/PLASTER
-  SHINGLES/SIDING
-  GLASS

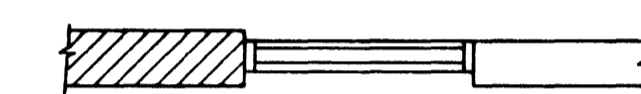

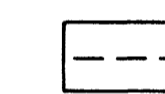

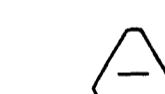
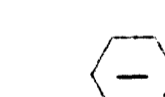

DOORS

-  CASED OPENING (MASONRY OPENING) SIMILAR
-  4" TYP UNLESS NOTED OTHERWISE DOOR, 90° SWING
-  DOOR, DOUBLE ACTING
-  DOOR, 180° SWING
-  DOUBLE DOORS 90° SWING AND 180° SWING
-  POCKET DOOR
-  SLIDING DOOR
-  SLIDING DOOR
-  SLIDING DOOR
-  SLIDING DOOR
-  DOOR, FOLDING
-  FOLDING DOOR (ACCORDION)

WINDOWS

-  HORIZONTAL SLIDING
- 
- 

MISCELLANEOUS

-  LOUVER
-  MOVABLE WALL
-  DENOTES ROOM NUMBER
-  DENOTES DOOR TYPE NUMBER
-  DENOTES WINDOW TYPE NUMBER
-  DENOTES TOILET ACCESSORY NUMBER
-  DENOTES WALL TYPE NUMBER

AS BUILT
DATE
9 APR 99

THE ORIGINAL CONTRACT DOCUMENT WAS SEALED AND SIGNED BY WILLIAM H. BRUMM

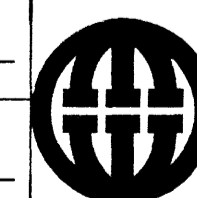
DATE/TIME dd-mm-yy hh:mm FILE No. 513-64

REV	DATE	BY	DESCRIPTION

SCALE: NO SCALE
WARNING: IF THIS BAR DOES NOT MEASURE 1" THEN DRAWING IS NOT TO SCALE.

DESIGNED: A. ELHADARY
DRAWN: P. WANG
CHECKED: W. BRUMM

SUBMITTED THE ORIGINAL CONTRACT DOCUMENT WAS SIGNED BY SATISH KAMATH
PROJECT ENGINEER R. C. E. NO. DATE
RECOMMENDED THE ORIGINAL CONTRACT DOCUMENT WAS SIGNED BY WILLIAM H. BRUMM
MONTGOMERY WATSON R. C. E. NO. DATE



MONTGOMERY WATSON
Las Vegas, Nevada

MONTGOMERY WATSON
3014 WEST CHARLESTON BLVD
LAS VEGAS, NV. 89102-1944
(702) 878-8010
COPYRIGHT © 1996 BY MONTGOMERY WATSON
ALL RIGHTS RESERVED

CITY OF LAS VEGAS
BONANZA/MOJAVE WATER RESOURCE CENTER
ARCHITECTURAL SYMBOLS
513-64

DWG. 31
GA-1

26241