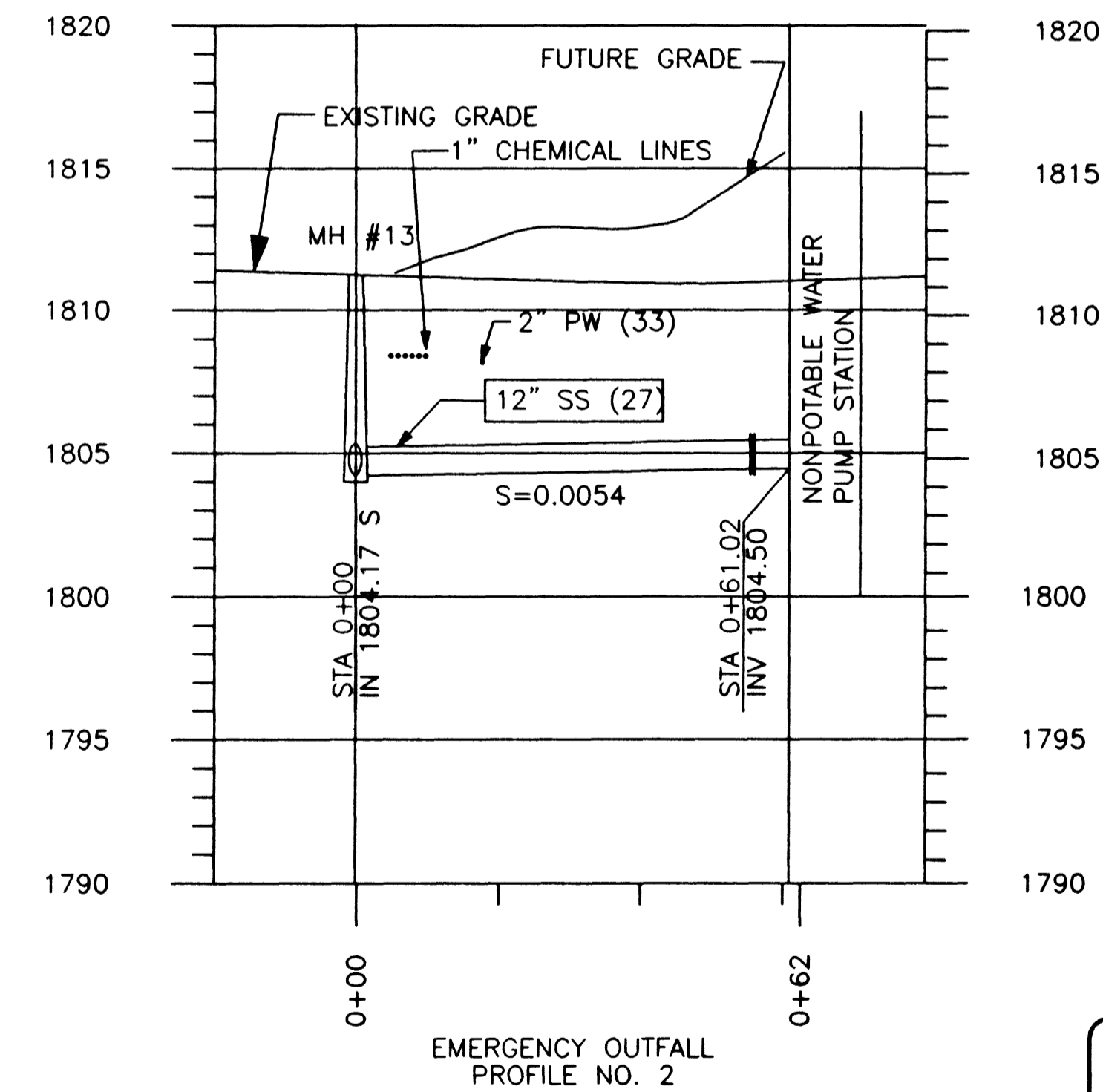
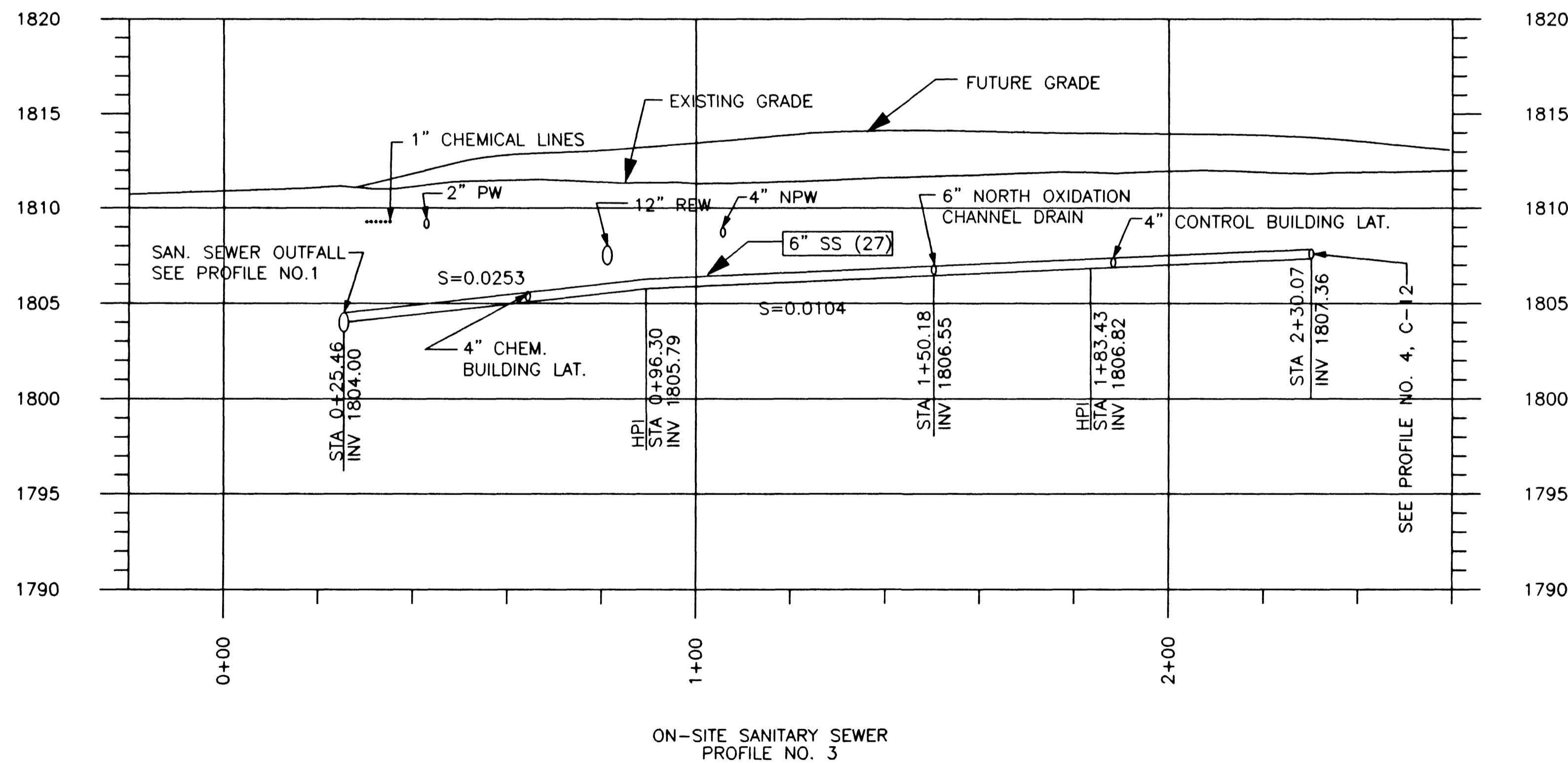
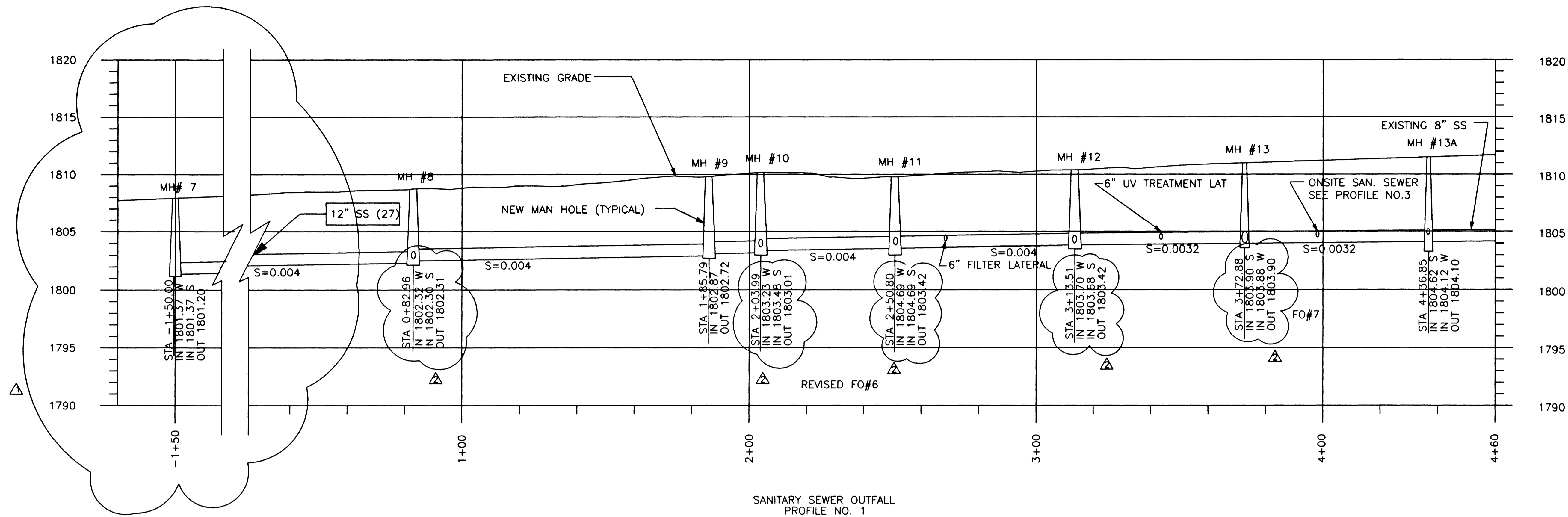
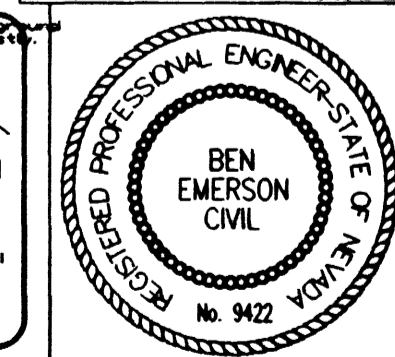


DATE/TIME: 11/11/99 11:11 AM

JOB No. 1540.0131 FILE No. 11/11/99 11:11 AM



AS BUILT  
DATE 9 APR 99



Call before you Dig  
1-800-227-2600

THE ORIGINAL CONTRACT DOCUMENT WAS SEALED AND SIGNED BY BEN EMERSON

REV	DATE	BY	DESCRIPTION
11	11/11/99	SBWM	REVISED ALIGNMENT

SCALE:  
HORZ 1"=20'  
VERT 1"=5'

WARNING  
IF THIS BAR DOES NOT MEASURE 1" THEN DRAWING IS NOT TO SCALE.

DESIGNED S. McCLELLAND  
DRAWN S. McCLELLAND  
CHECKED B. EMERSON

SUBMITTED THE ORIGINAL CONTRACT DOCUMENT WAS SIGNED BY BEN EMERSON  
PROJECT ENGINEER R. C. E. NO. DATE  
RECOMMENDED THE ORIGINAL CONTRACT DOCUMENT WAS SIGNED BY VICKI J. SCARNHORST  
MONTGOMERY WATSON R. C. E. NO. DATE

**MONTGOMERY WATSON**  
Las Vegas, Nevada

MONTGOMERY WATSON  
3014 WEST CHARLESTON BLVD  
LAS VEGAS, NV. 89102-1944  
(702) 878-8010

COPYRIGHT © 1997 BY MONTGOMERY WATSON  
ALL RIGHTS RESERVED

CITY OF LAS VEGAS  
BONANZA/MOJAVE WATER RESOURCE CENTER

YARD PIPING PROFILES - 1

DWG. C-11  
513-64

26264