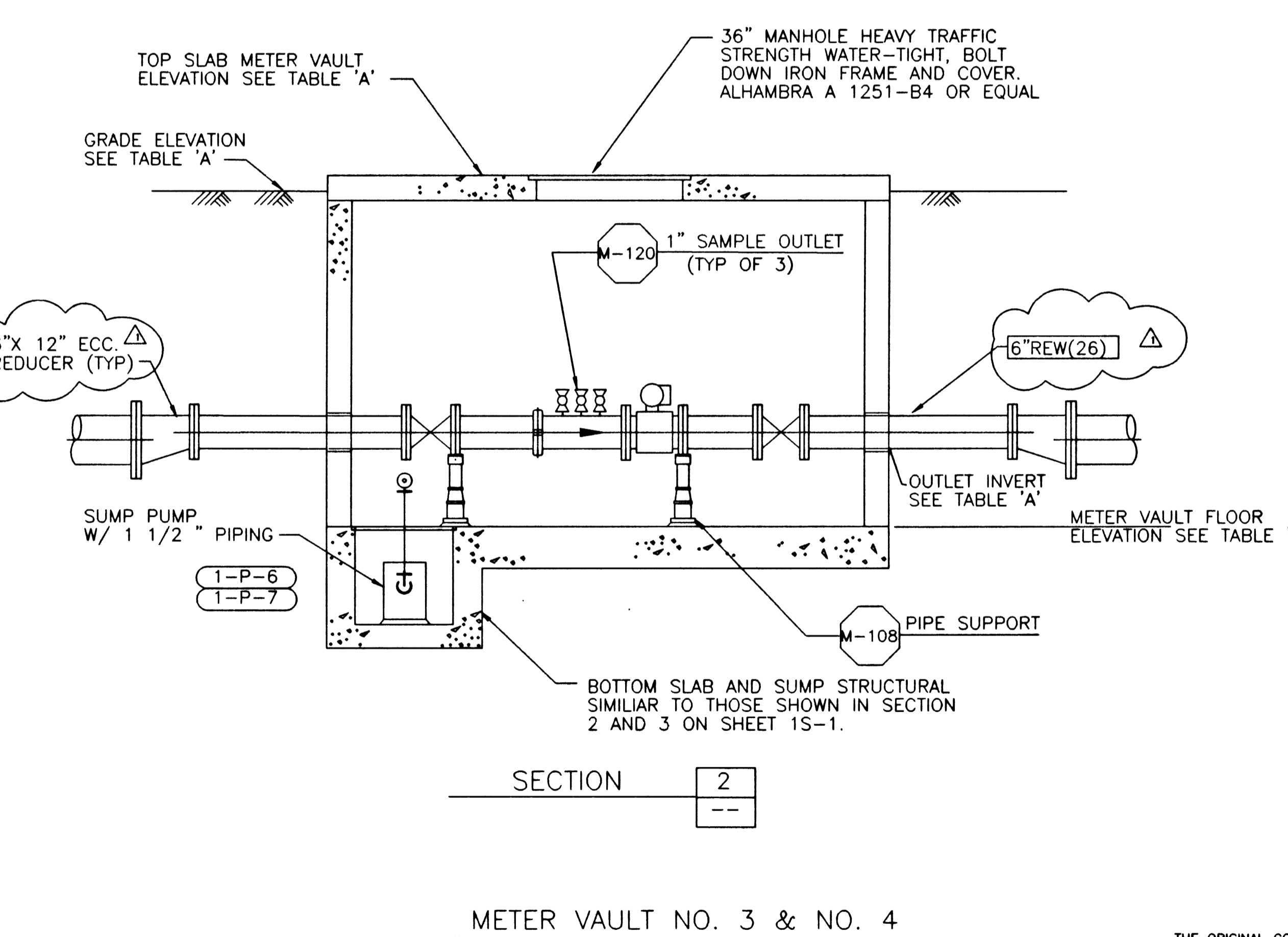
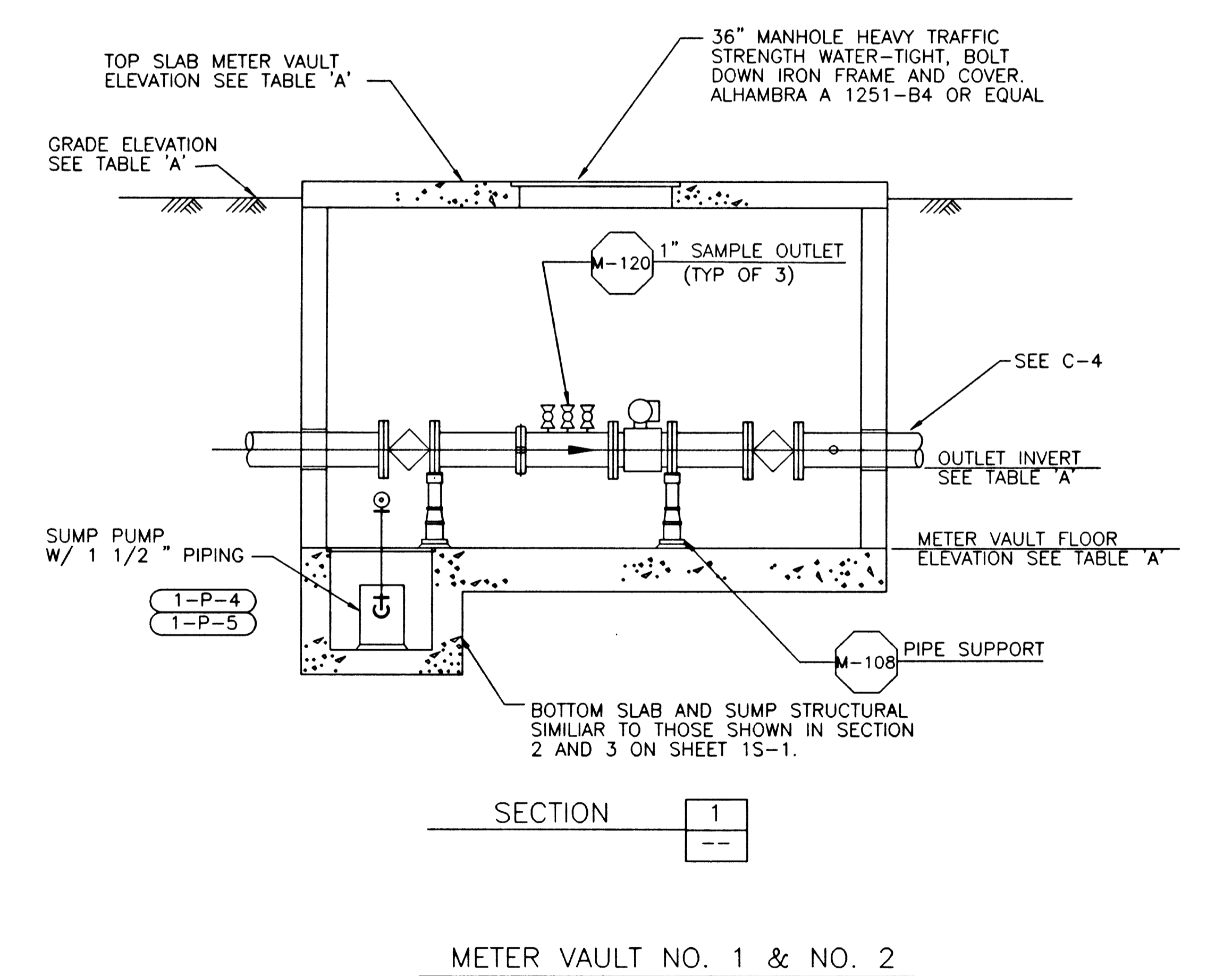
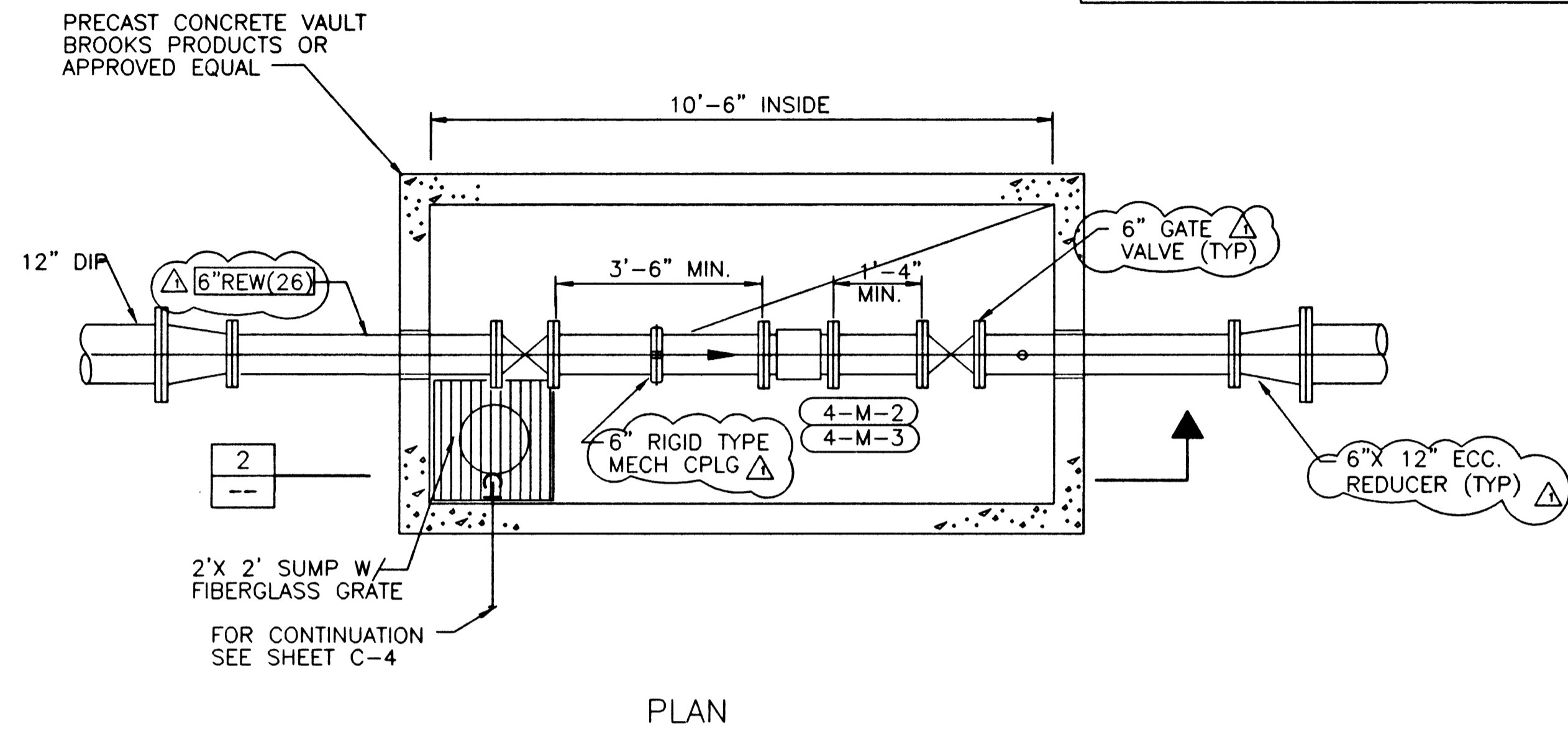
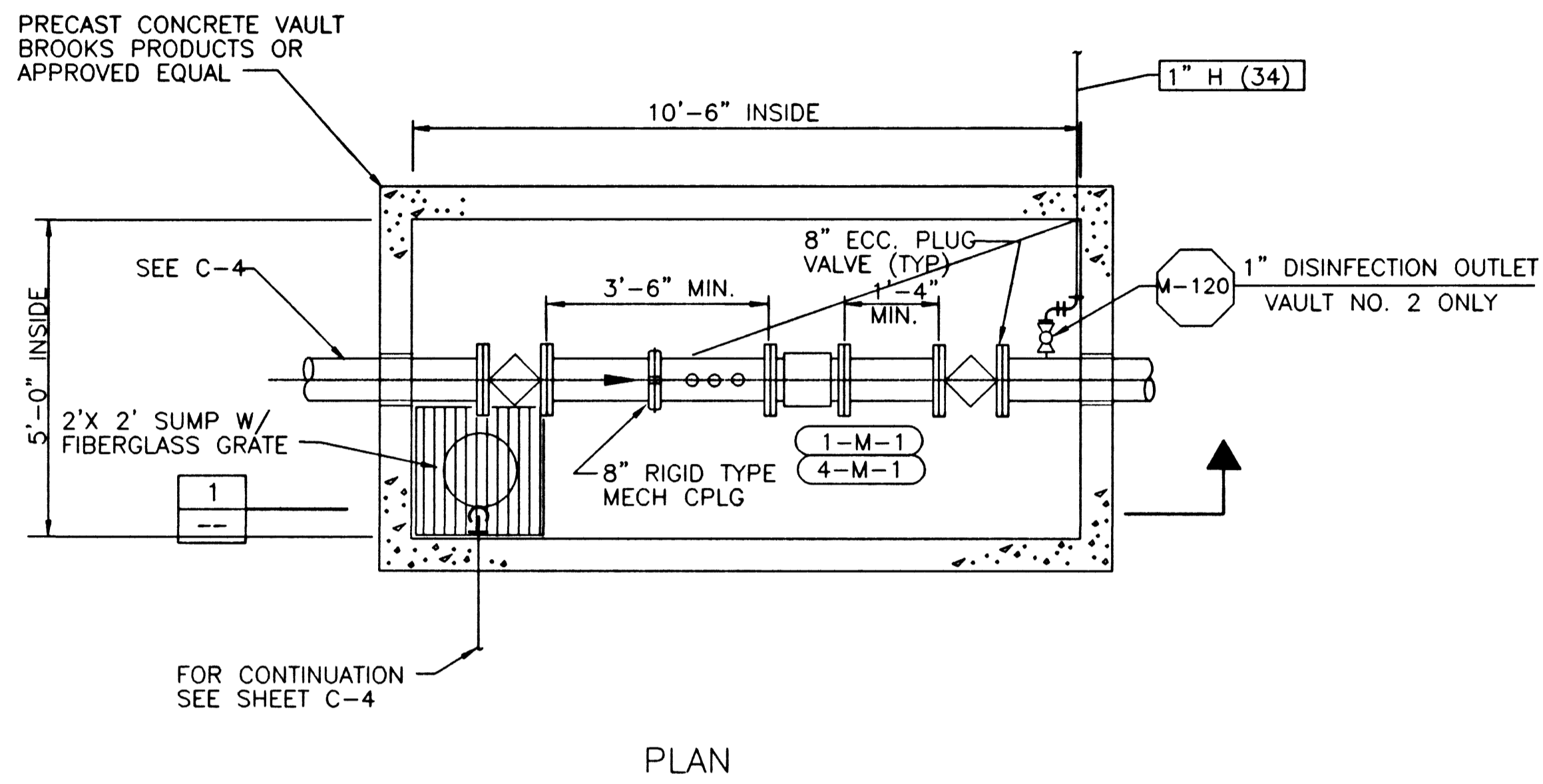


TABLE "A"				
DESCRIPTION	METER VAULT NO. 1	METER VAULT NO. 2	METER VAULT NO. 3	METER VAULT NO. 4
GRADE ELEVATION	1812.50	1810.00	1814.00	1813.50
METER VAULT FLOOR ELEVATION	1805.44	1805.42	1803.42	1805.52
TOP SLAB METER VAULT ELEVATION	1814.00	1811.00	1814.50	1814.00
OUTLET INVERT	1807.02	1807.00	1805.00	1807.10



AS BUILT
DATE
 31 APR 99

DATE/TIME FILE No. JOB No.

REV	DATE	BY	DESCRIPTION
1	11/97	MGR	CHANGED SIZE OF FITTINGS

SCALE: 1/2" = 1'-0"
 WARNING: IF THIS BAR DOES NOT MEASURE 1" THEN DRAWING IS NOT TO SCALE.

DESIGNED: S. McCLELLAND
 DRAWN: J. EYMAN
 CHECKED: B. EMERSON
 SUBMITTED THE ORIGINAL CONTRACT DOCUMENT WAS SIGNED BY BEN EMERSON
 PROJECT ENGINEER R. C. E. NO. DATE
 RECOMMENDED THE ORIGINAL CONTRACT DOCUMENT WAS SIGNED BY VICKI J. SCHARHORST
 MONTGOMERY WATSON R. C. E. NO. DATE



COPYRIGHT © 1997 BY MONTGOMERY WATSON
 ALL RIGHTS RESERVED

CITY OF LAS VEGAS
 BONANZA/MOJAVE WATER RESOURCE CENTER
 METER VAULTS
 PLAN AND SECTION
 DWG. GC-6
 513-64

26257