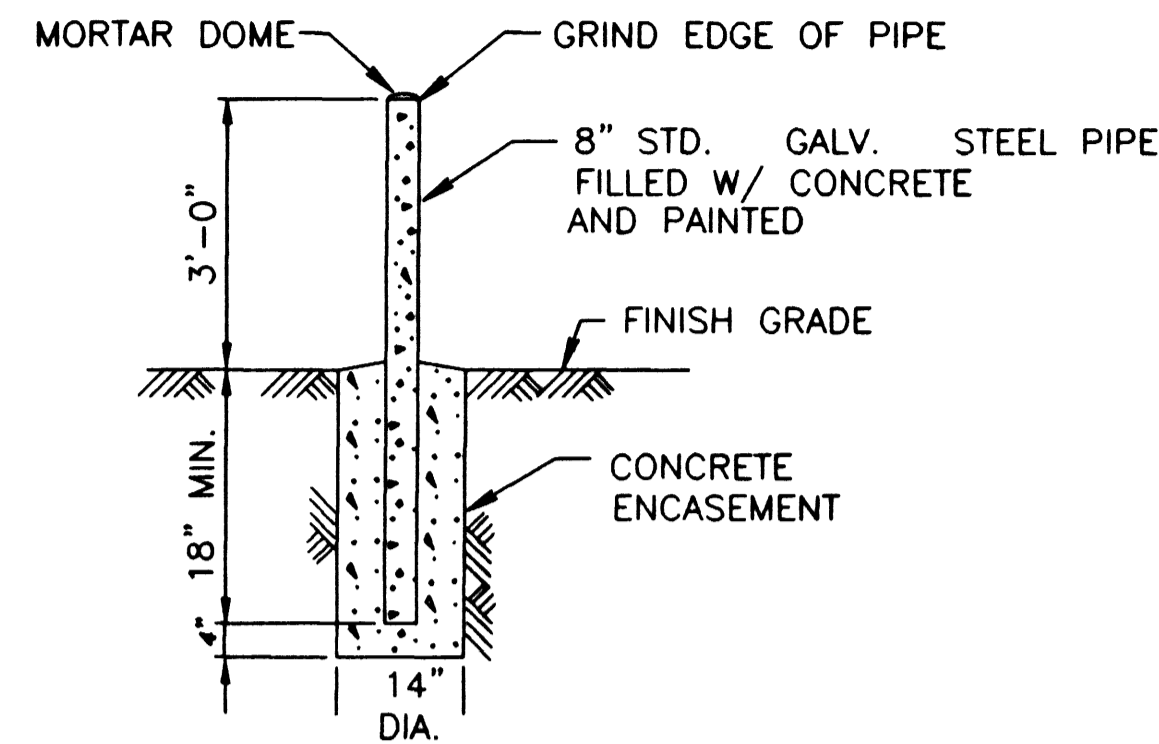


NOTE:
IN TRAFFIC AREAS PROVIDE FLUSH FINISH WITH 18" I.D. CAST IRON COVER AND FRAME, ALHAMBRA FOUNDRY A-1256, NEENAH R-1791 OR EQUAL.

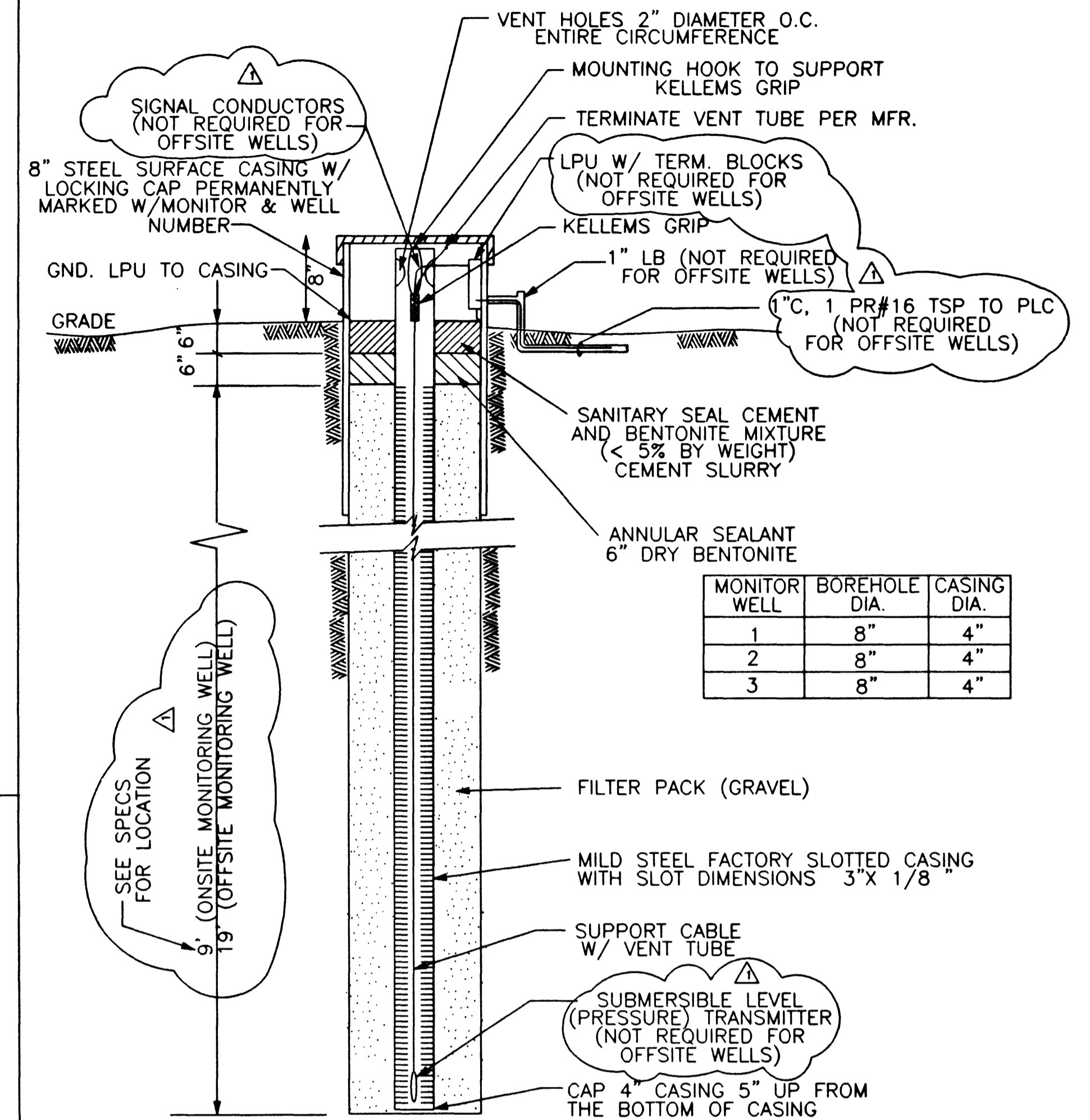
PRESSURIZED SYSTEM CLEANOUT TO GRADE

REV. 051588

M-318



BUMPER POST DETAIL 2
N.T.S. C-3



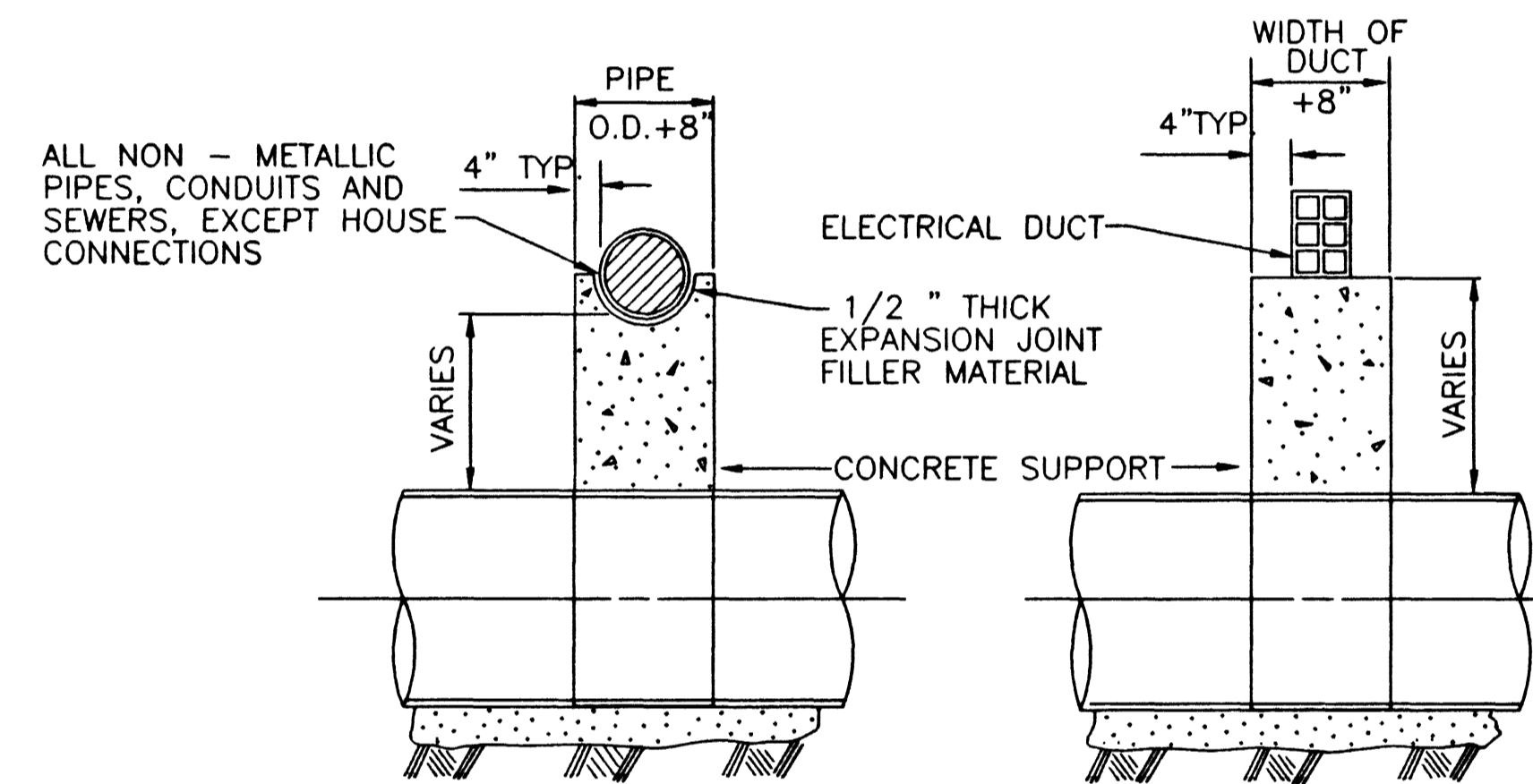
MONITORING WELL DESIGN REQUIREMENTS

1. THE SCREEN IN A GROUND WATER MONITORING WELL MUST EXTEND INTO THE GROUND WATER UNLESS HYDROGEOLOGIC CONDITIONS WARRANT OTHERWISE. THE SCREEN MUST EXTEND TO 12" BELOW GROUND SURFACE.
2. THE FILTER PACK MUST BE GRAVEL WITH SIEVE ANALYSIS APPROPRIATE FOR THE SCREEN SLOT SIZE.
3. THE WELL MUST BE CAPPED AT BOTH ENDS.
4. THE TOP OF THE WELL MUST BE PROTECTED FROM DAMAGE AND VANDALISM. IF SUBJECT TO FLOODING THE TOP OF THE WELL SHOULD EXTEND A MINIMUM OF TWELVE (12) INCHES ABOVE THE GROUND SURFACE WITH AN APPROPRIATE COVER. IN ALL LOCATIONS A LOCKING DEVICE MUST BE PROVIDED.
5. THERE SHALL BE A SEAL SURROUNDING THE WELL CASING TO PREVENT THE FLOW OF SURFACE WATER IN AND ALONG THE EDGE OF THE BORE HOLE. A BENTONITE PLUG OF 6" IN THICKNESS SHALL BE PLACED DIRECTLY ABOVE THE GRAVEL PACK THE ANNULUS MUST BE SEALED FROM THE BENTONITE PLUG TO THE SURFACE WITH CEMENT AND BENTONITE MIXTURE.
6. CASING MUST HAVE A MINIMUM INSIDE DIAMETER OF 4 INCHES.
7. ALL MONITORING WELLS MUST BE DRILLED BY A WATER WELL DRILLER LICENSED IN THE STATE OF NEVADA. ALL MONITORING WELLS MUST CONFORM TO THE REGULATIONS OF THE STATE OF NEVADA DEPARTMENT OF CONSERVATION AND NATURAL RESOURCES, DIVISION OF WATER RESOURCES.

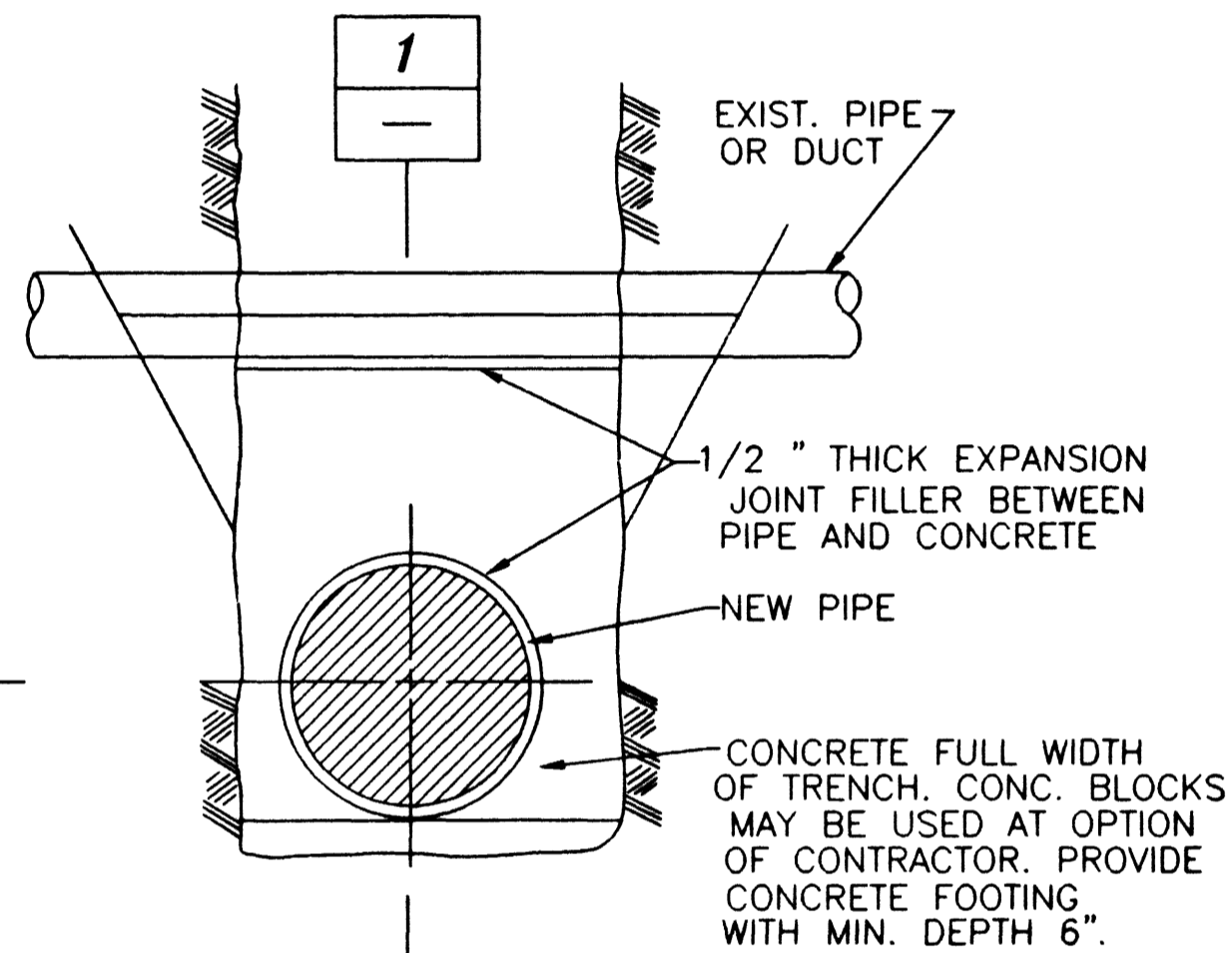
MONITORING WELL DETAIL

NO SCALE

A
C-4
2E-1

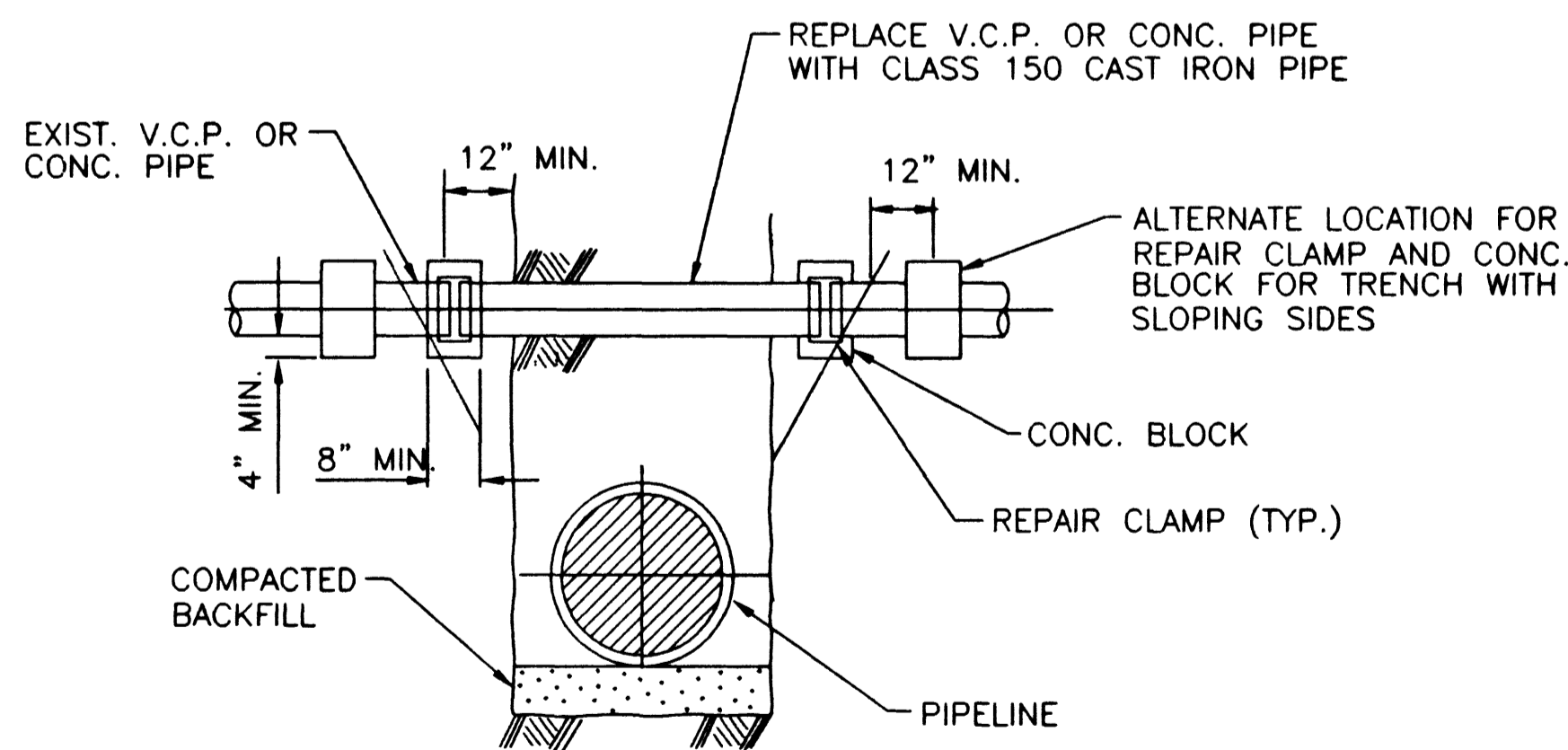


SECTION 1



NOTE:

BACKFILL TO BE BROUGHT UP UNIFORMLY ON BOTH SIDES OF CONCRETE SUPPORT.



HOUSE SEWER CONNECTION
ACROSS PIPE TRENCH

UNDERGROUND UTILITY SUPPORT DETAILS

NOT TO SCALE

REV 090189

C-229

NOTES:

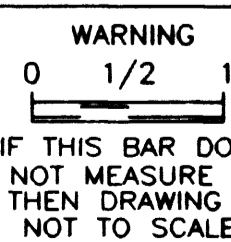
1. UNDERGROUND UTILITY SUPPORTS ARE TO BE PROVIDED WHERE SHOWN ON PLAN OR PROFILE.
2. EXISTING PIPE OR DUCT SHALL BE FIRMLY SUPPORTED DURING INSTALLATION OF NEW PIPE AND SUPPORT.

DATE/TIME

FILE No.

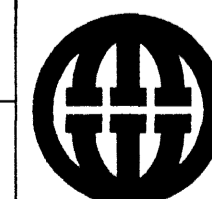
REV	DATE	BY	DESCRIPTION
1	11/97	MGR	ADDED INFORMATION OFFSITE WELLS

SCALE:



DESIGNED BY **S. McCLELLAND**
DRAWN BY **S. McCLELLAND**
CHECKED BY **B. EMERSON**

SUBMITTED THE ORIGINAL CONTRACT DOCUMENT WAS SIGNED BY **BEN EMERSON**
PROJECT ENGINEER R. C. E. NO. DATE
RECOMMENDED THE ORIGINAL CONTRACT DOCUMENT WAS SIGNED BY **VICKI J. SCARHORST**
MONTGOMERY WATSON R. C. E. NO. DATE



MONTGOMERY WATSON
Las Vegas, Nevada

MONTGOMERY WATSON
3014 WEST CHARLESTON BLVD
LAS VEGAS, NV 89102
(702) 878-8010

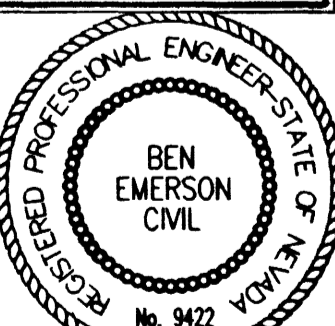
COPYRIGHT © 1996 BY MONTGOMERY WATSON
ALL RIGHTS RESERVED

THE ORIGINAL CONTRACT DOCUMENT WAS SEALED AND SIGNED BY BEN EMERSON

CITY OF LAS VEGAS
BONANZA/MOJAVE WATER RESOURCE CENTER

MISCELLANEOUS CIVIL DETAILS- 2

AS BUILT
DATE 9 APR 99



DWG. GC-3
SHEET 20 OF SHEETS

26254