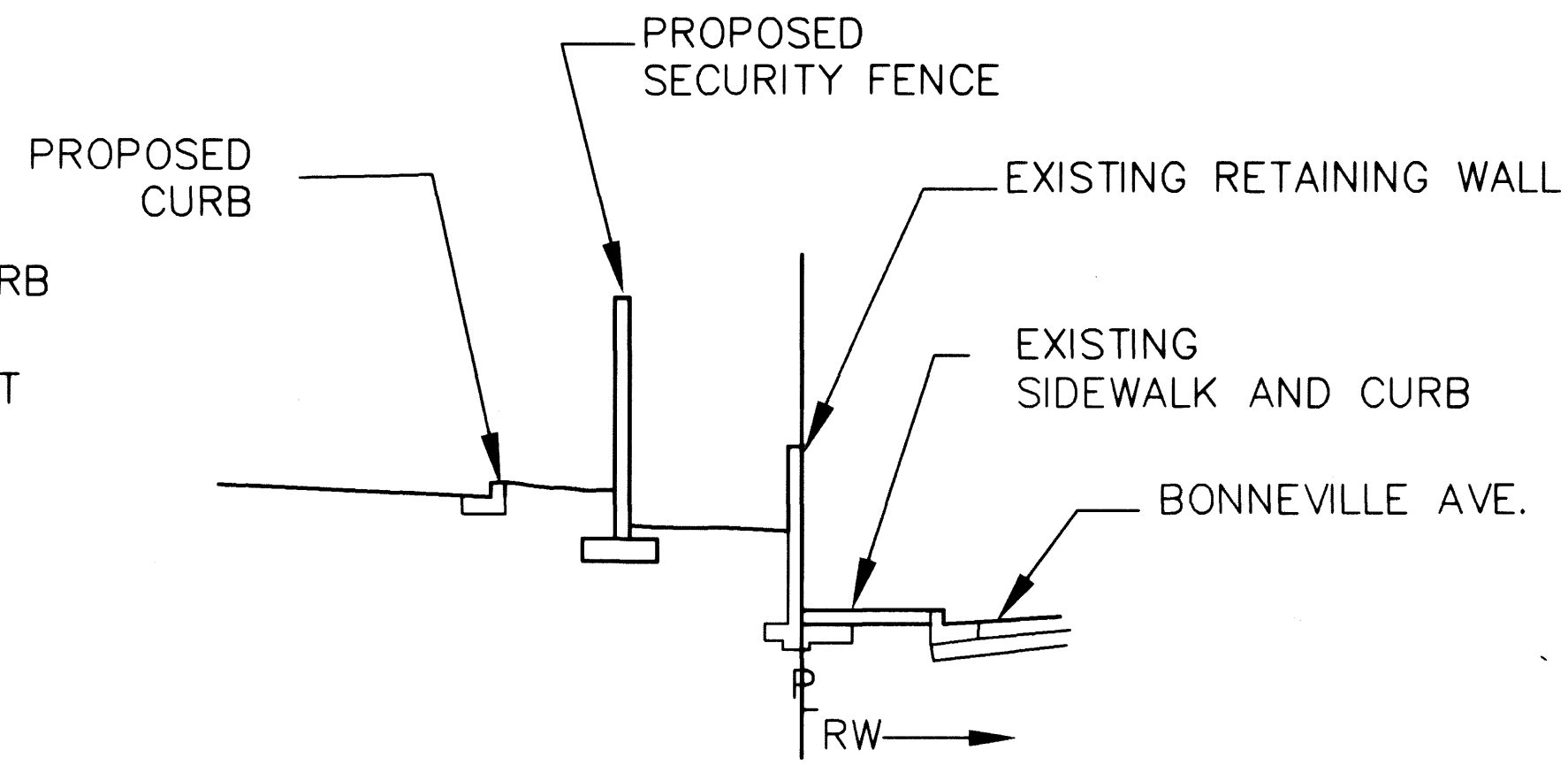
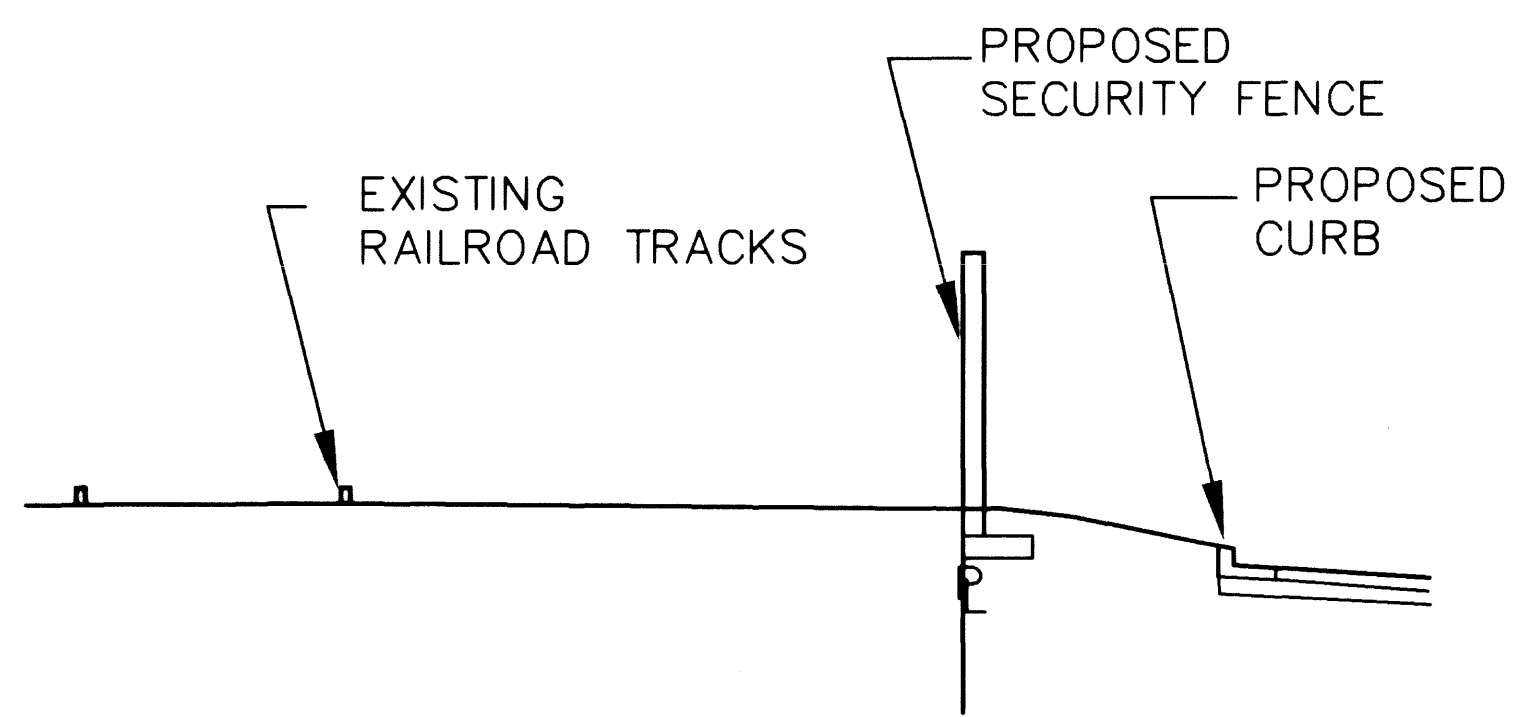


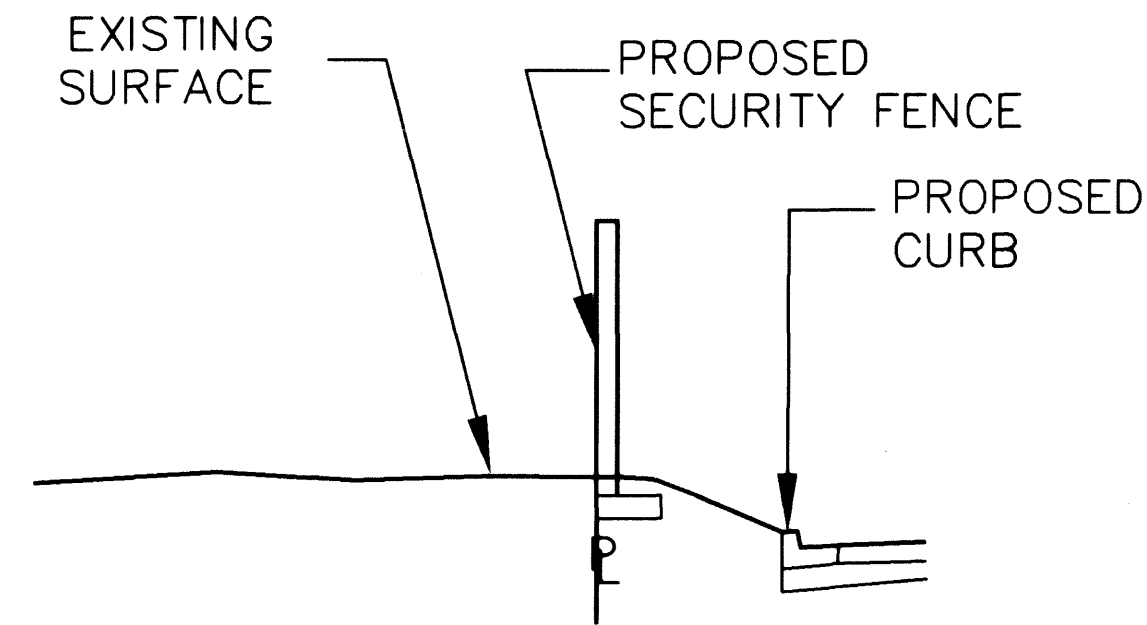
**CROSS-SECTION 1**  
1" = 6'



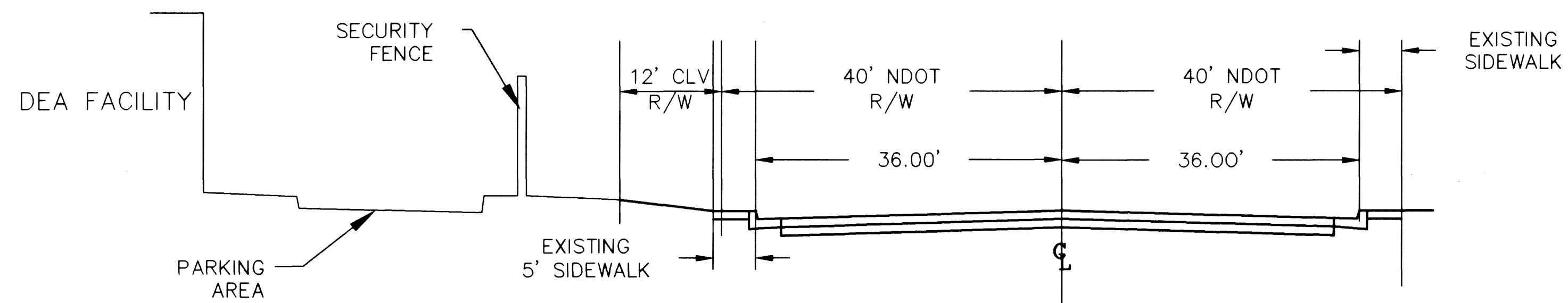
**CROSS-SECTION 2**  
1" = 6'



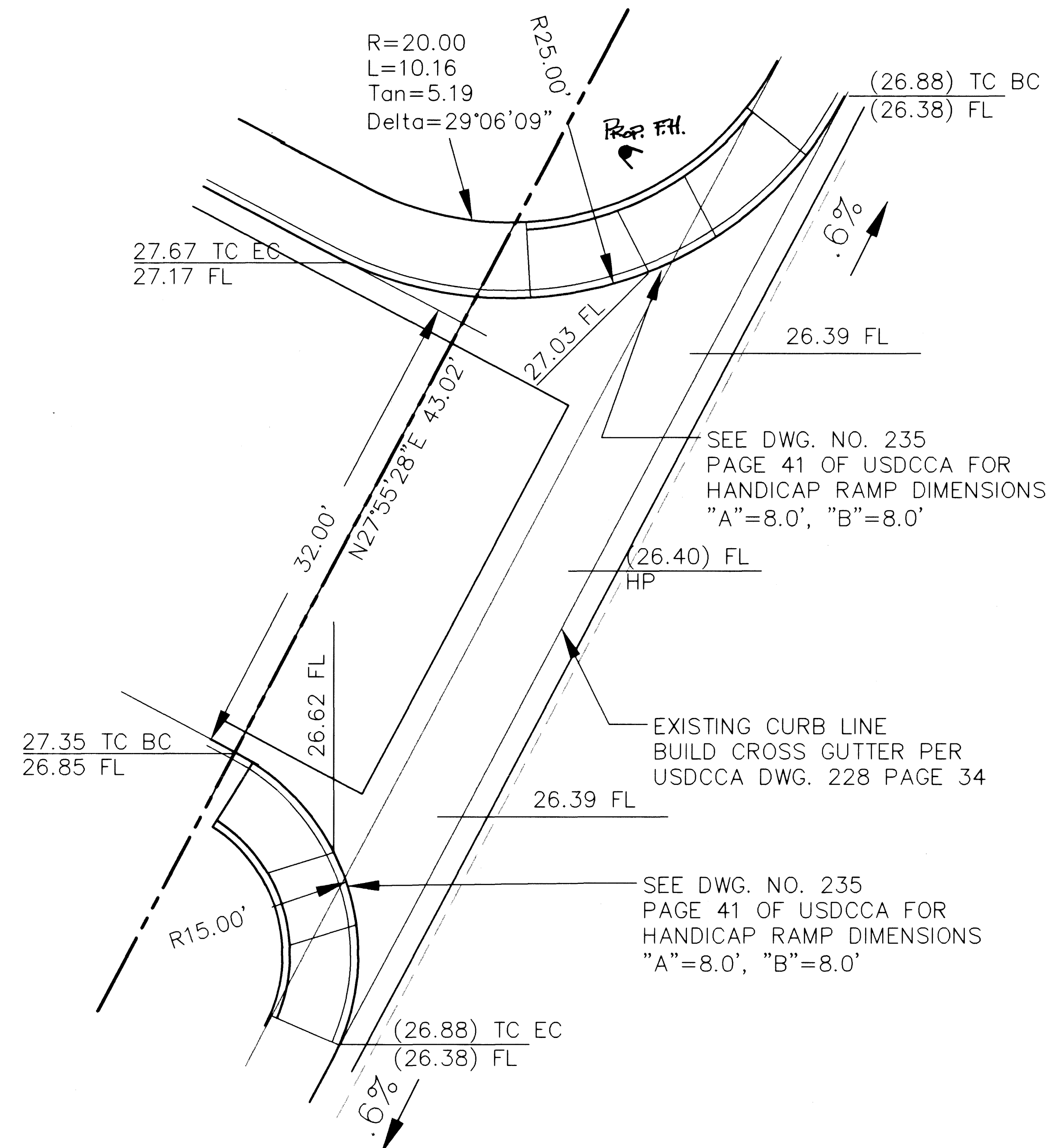
**CROSS-SECTION 3**  
1" = 6'



**CROSS-SECTION 4**  
1" = 6'



**TYPICAL SECTION (MAIN STREET)**  
N.T.S.



**DRIVEWAY DETAIL**  
1" = 6'



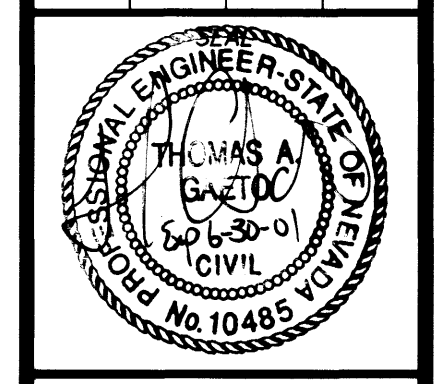
AVOID CUTTING UNDERGROUND UTILITY LINES. IT'S COSTLY.  
Call before you Dig.  
1-800-227-2600  
UNDERGROUND SERVICE (USA)

REV.	DATE	BY	DESCRIPTION

**CTE NEVADA, INC.**  
CTE NEVADA, INC  
4560 S. VALLEY VIEW, SUITE A-3, LAS VEGAS, NV 89103  
PHONE (702) 795-2278 FAX (702) 795-4485

**DETAILS**  
SHEET  
TITLE  
**DEA FACILITY LAS VEGAS, NEVADA**

DRAWN BY: M. MORRIS	4/18/00
DESIGNED BY: M. MORRIS	4/18/00
CHECKED BY: R. BALLARD	4/18/00
PROJECT NO: 80-0379	SCALE: 1" = 6' HORIZ. 1" = 6' VERT.



SHEET  
**C 6**  
6 OF 6 SHEETS  
drawing number  
07-03160  
PLOTTED: 4/18/00