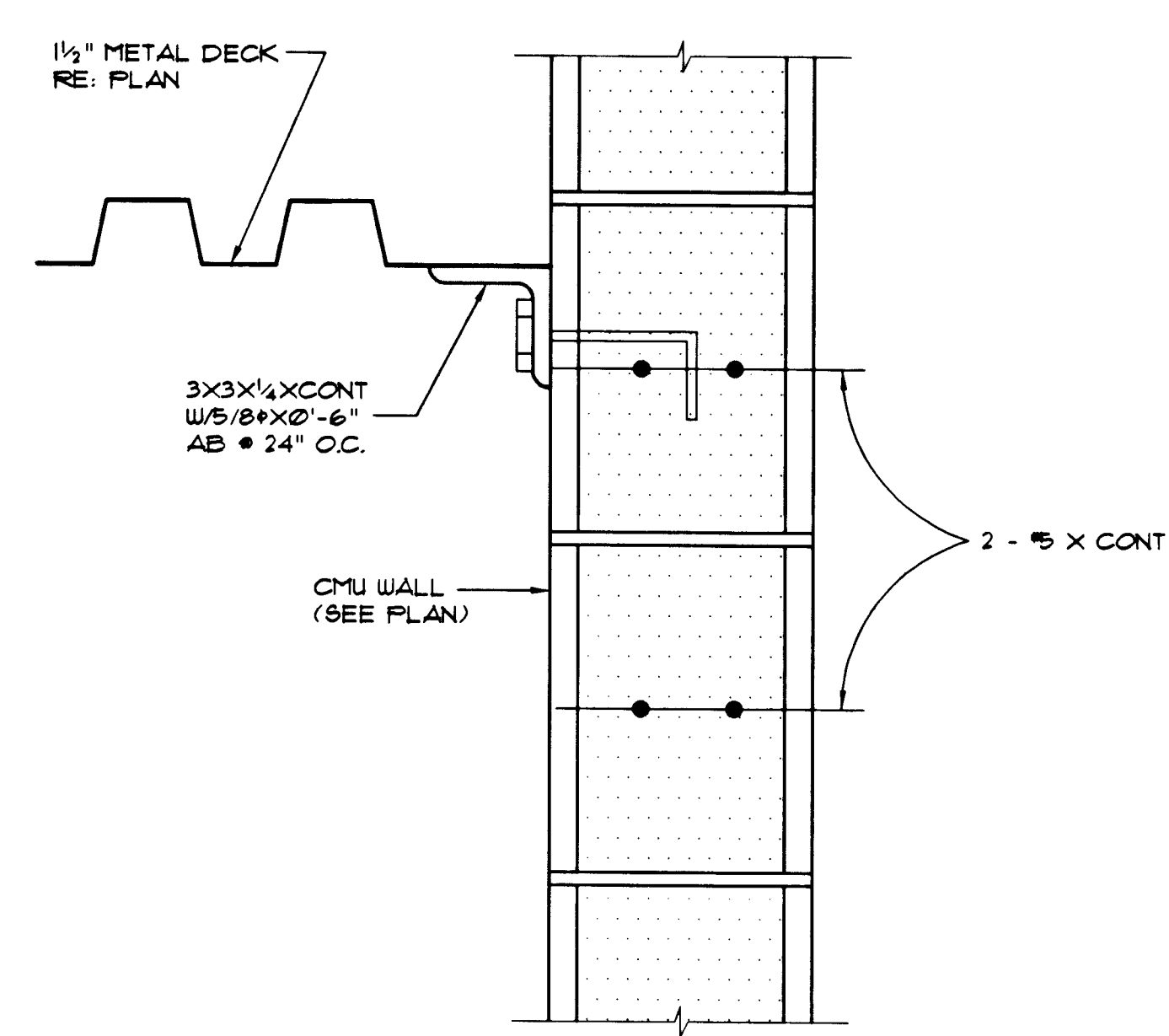
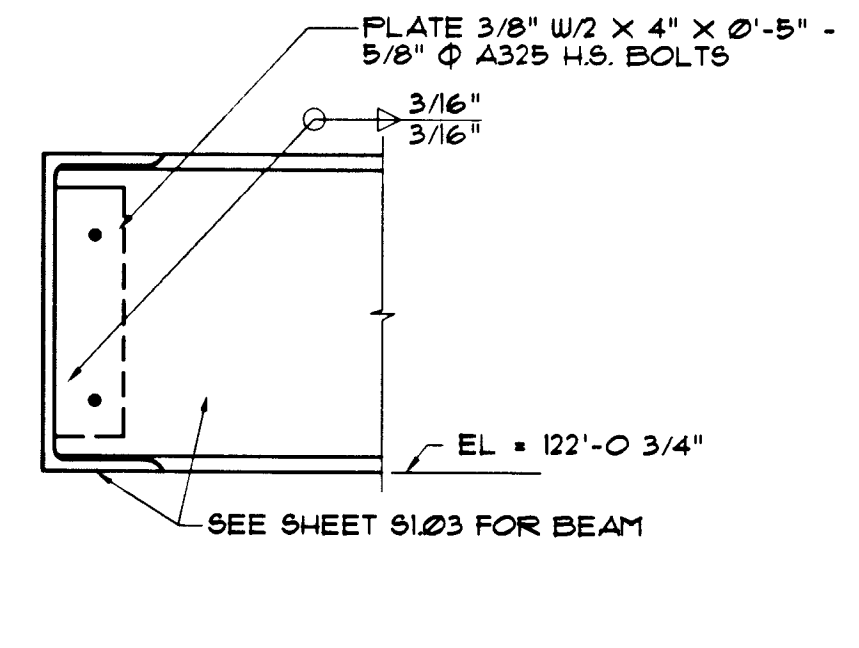


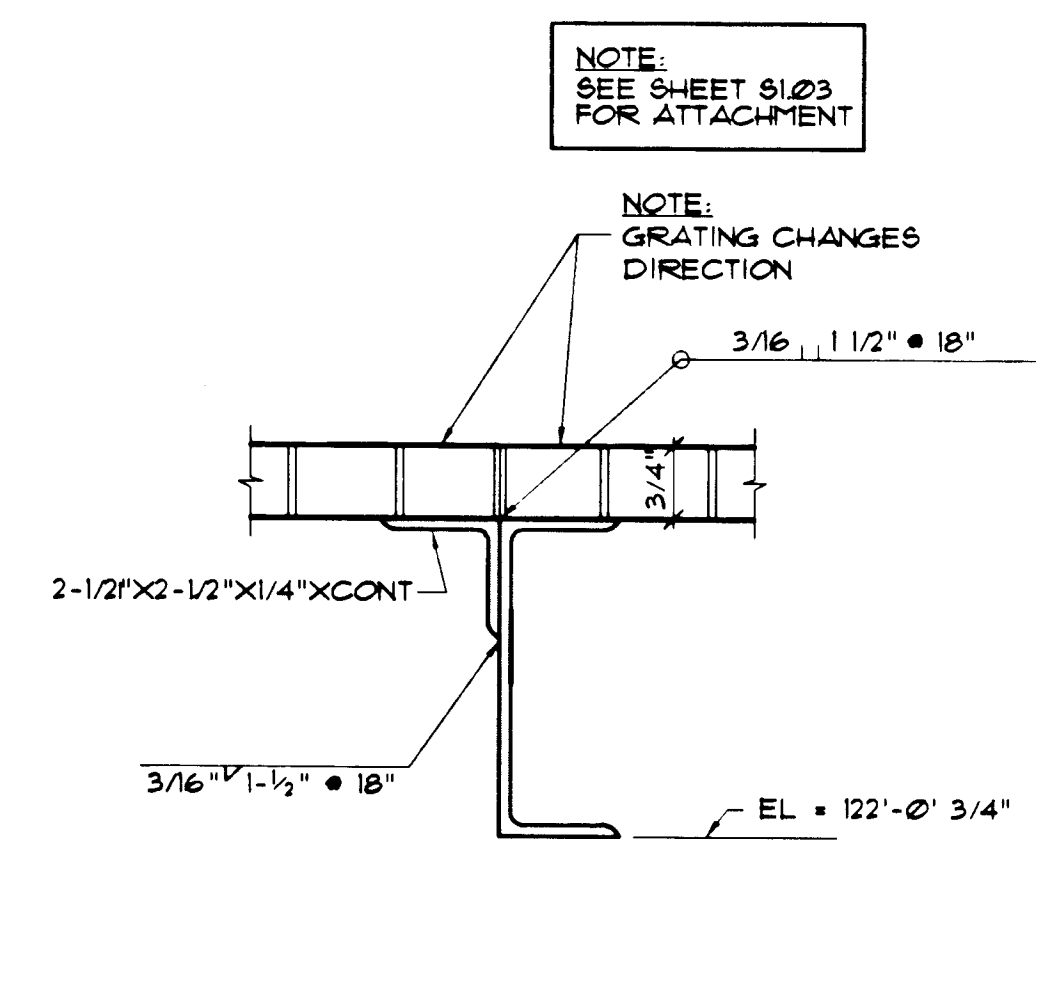
BEAM DETAIL 1
N.T.S. 01/25



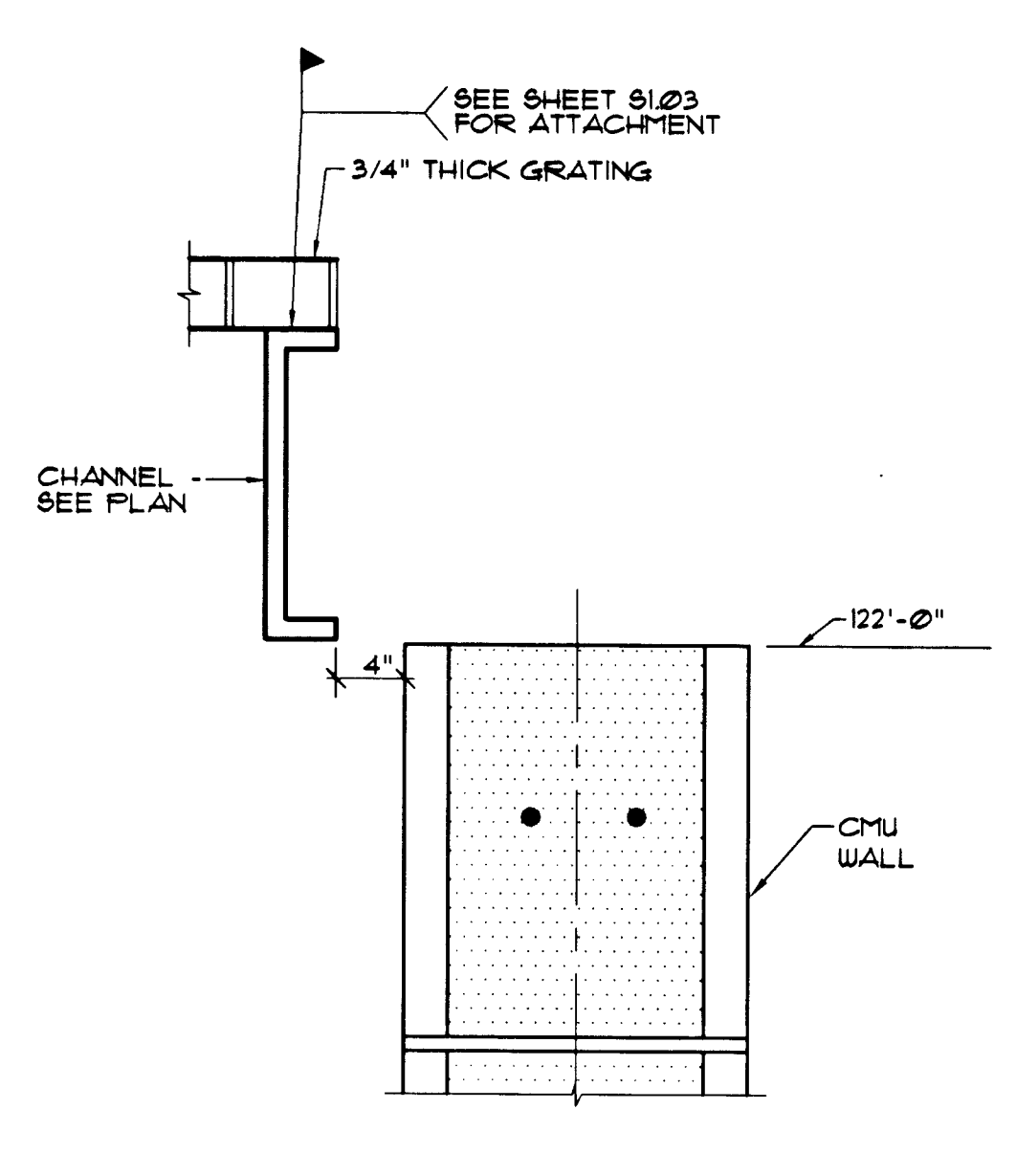
BEAM DETAIL 2
N.T.S. 01/25



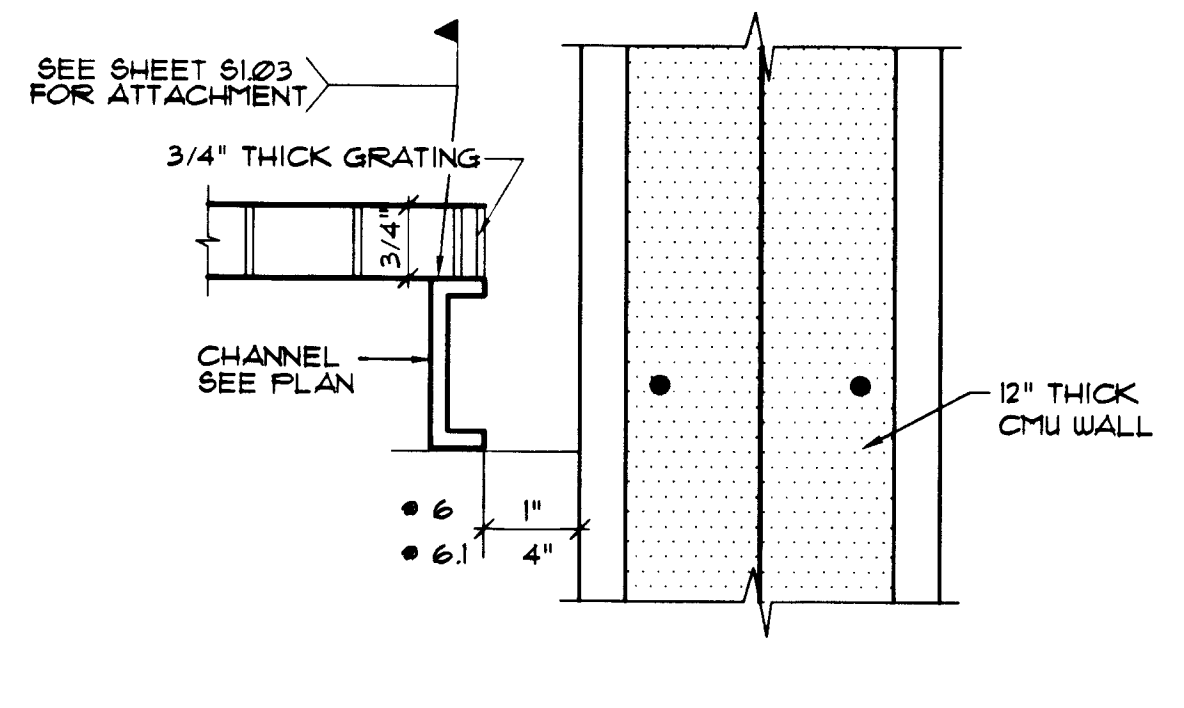
BEAM DETAIL 3
N.T.S. 01/25



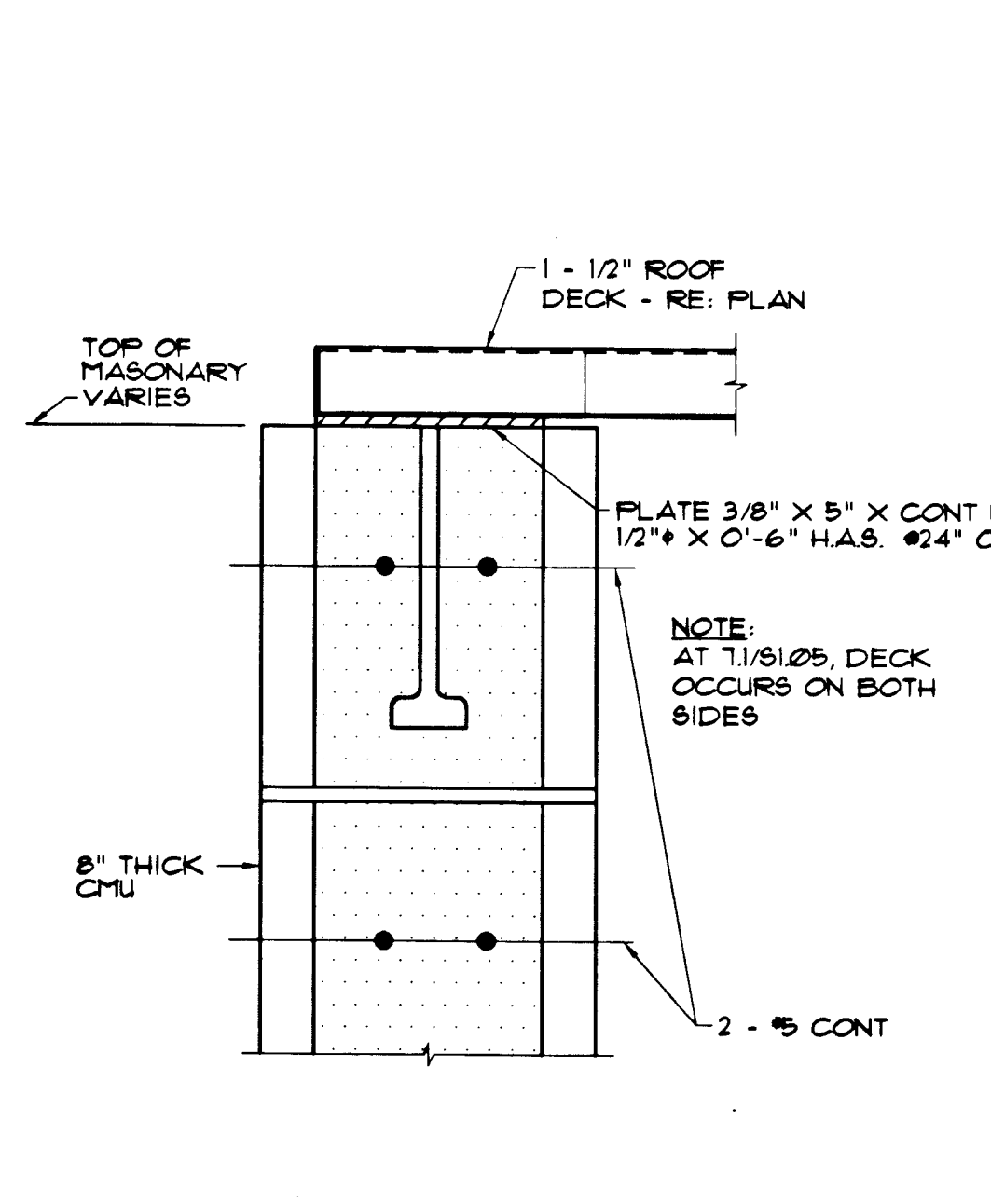
BEAM DETAIL 4
N.T.S. 01/25



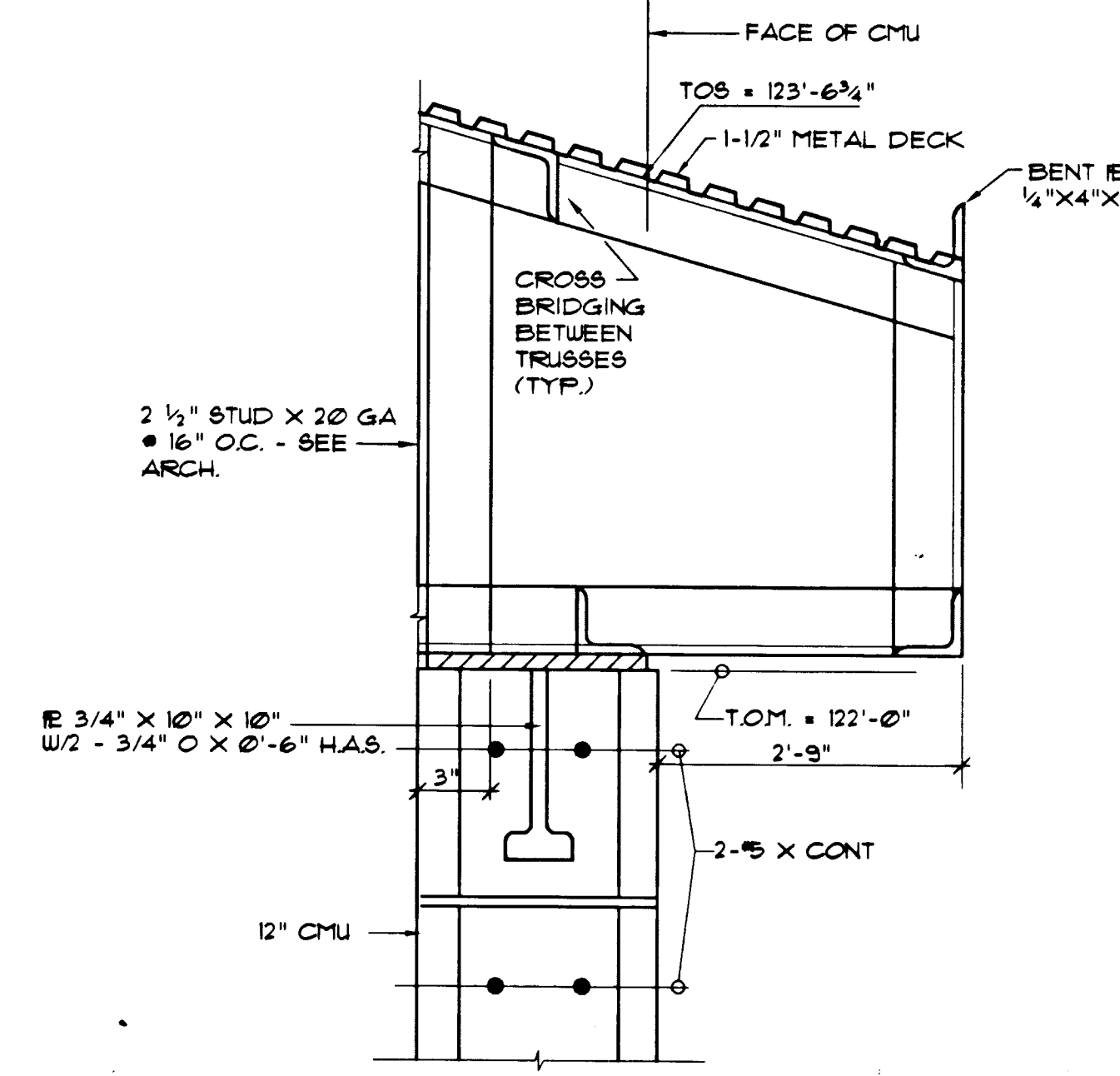
DECK BEARING DETAIL 5
N.T.S. 01/25



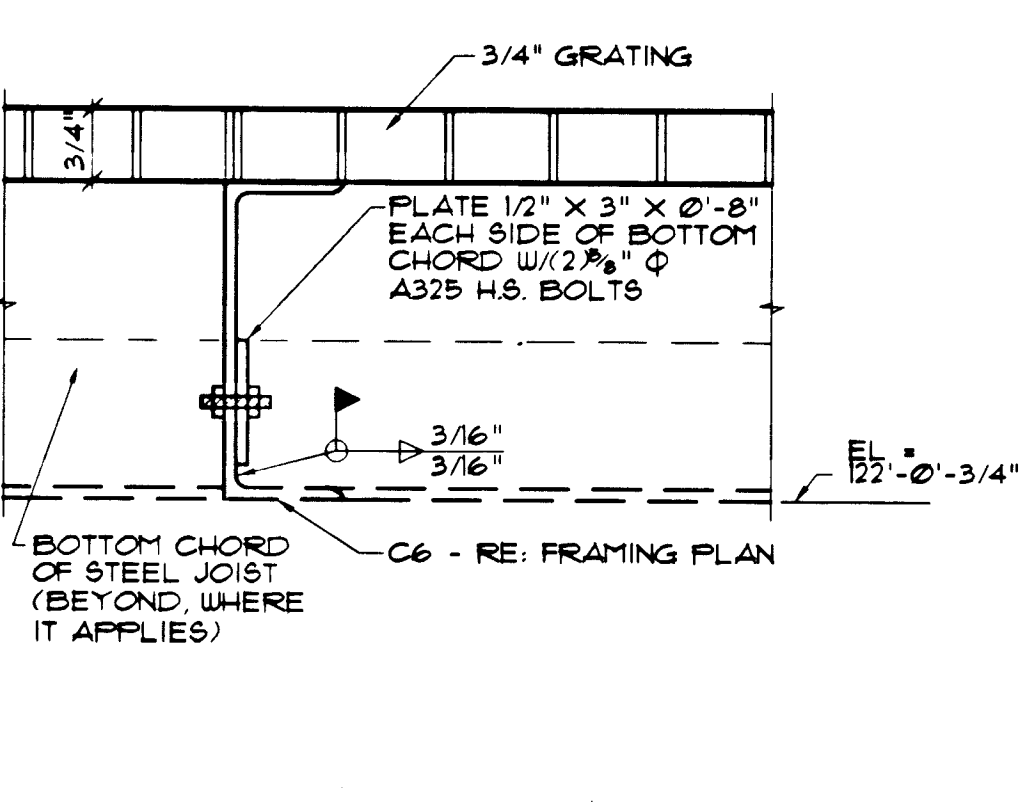
DECK BEARING DETAIL 6
N.T.S. 01/25



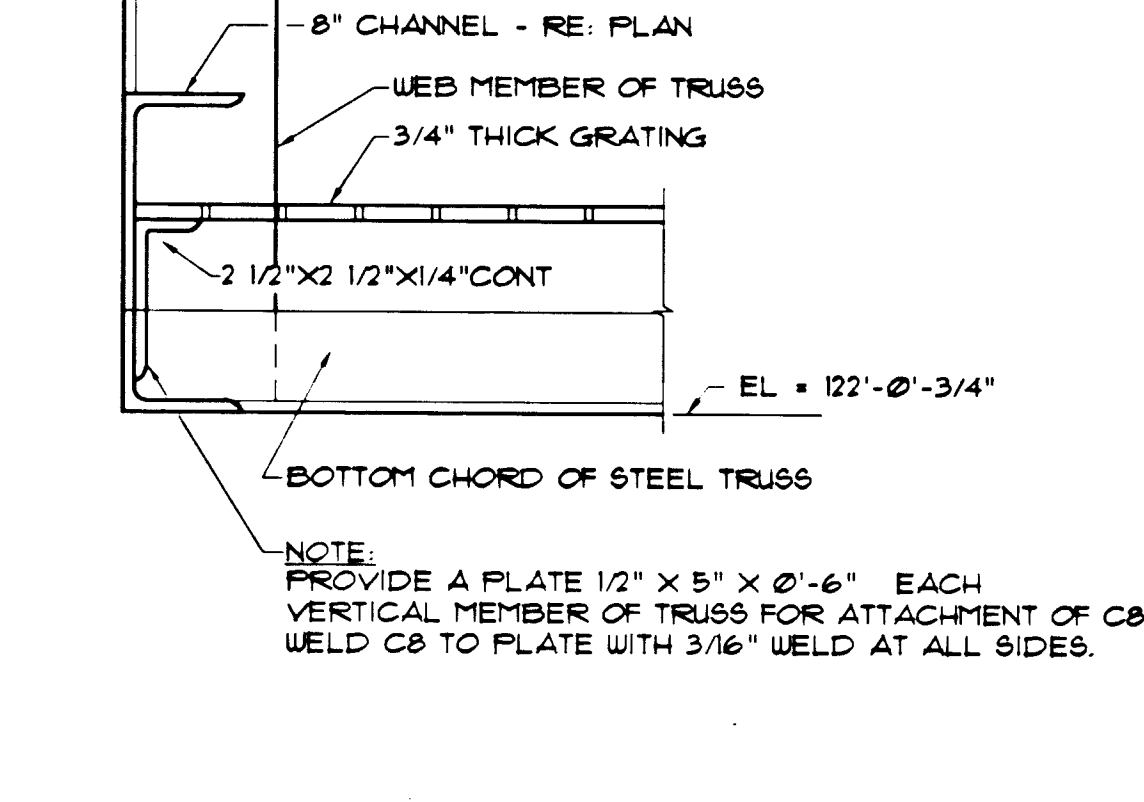
DECK BEARING DETAIL 7
N.T.S. 01/25



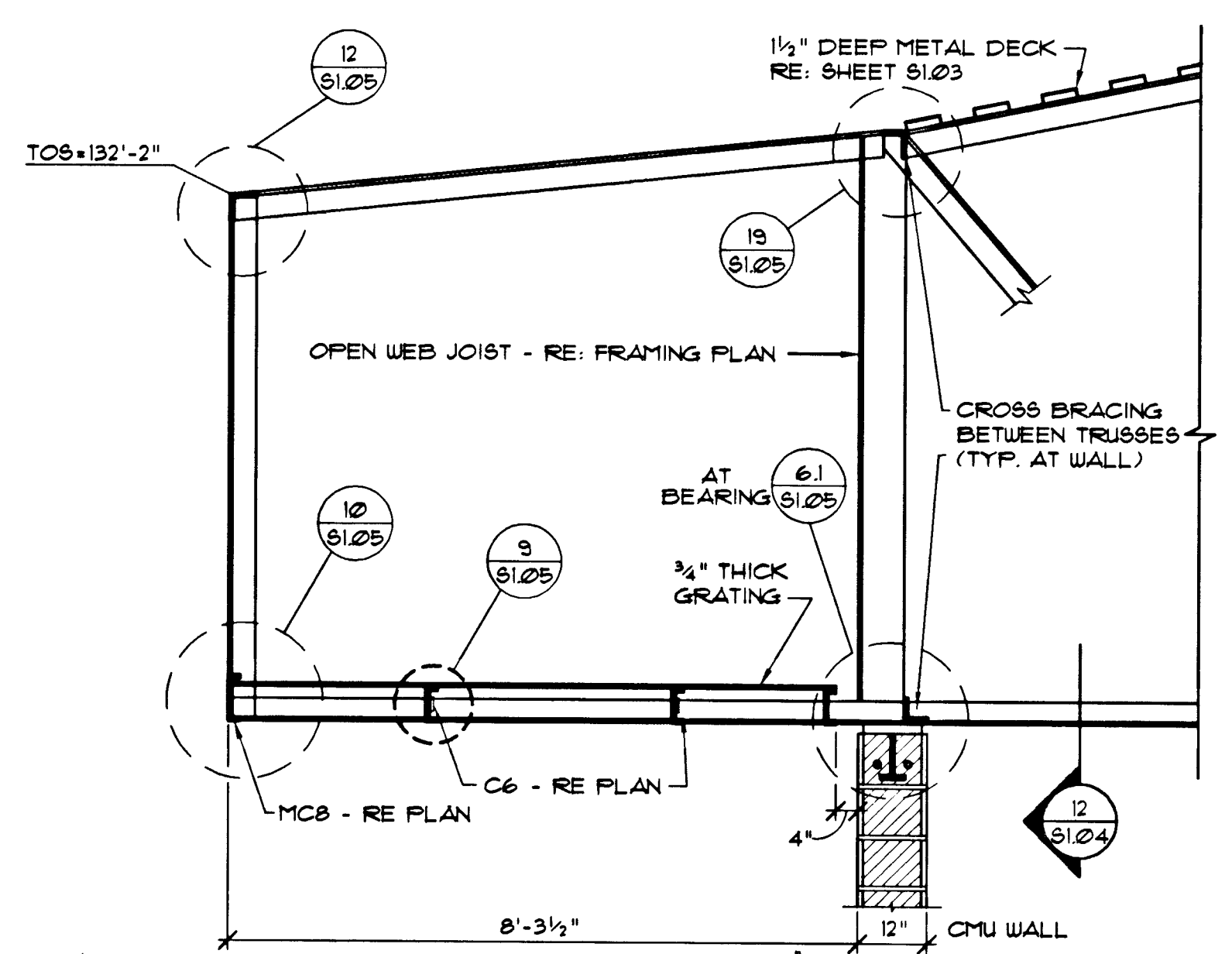
JOIST BEARING DETAIL 8
N.T.S. 01/25



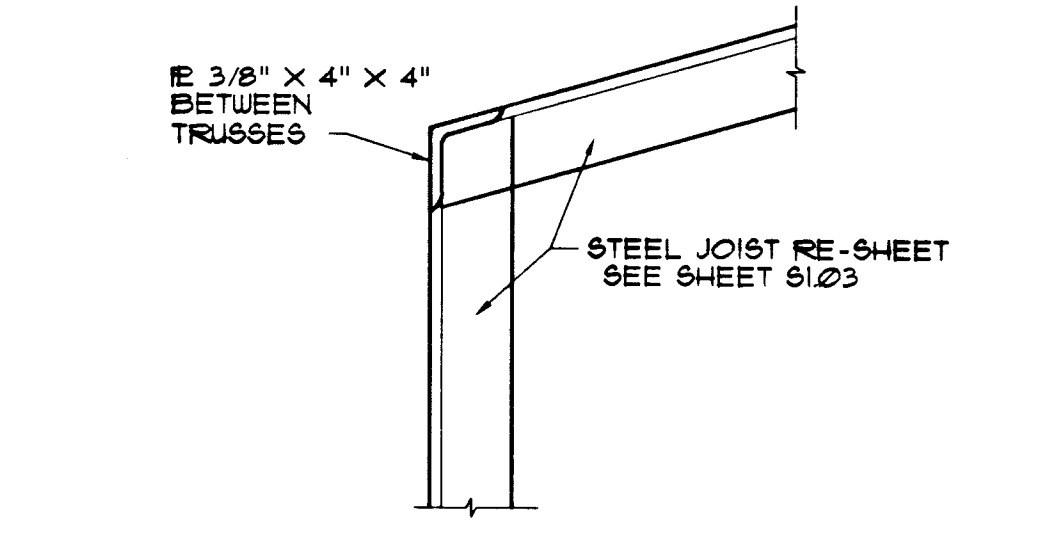
BEAM DETAIL 9
N.T.S. 01/25



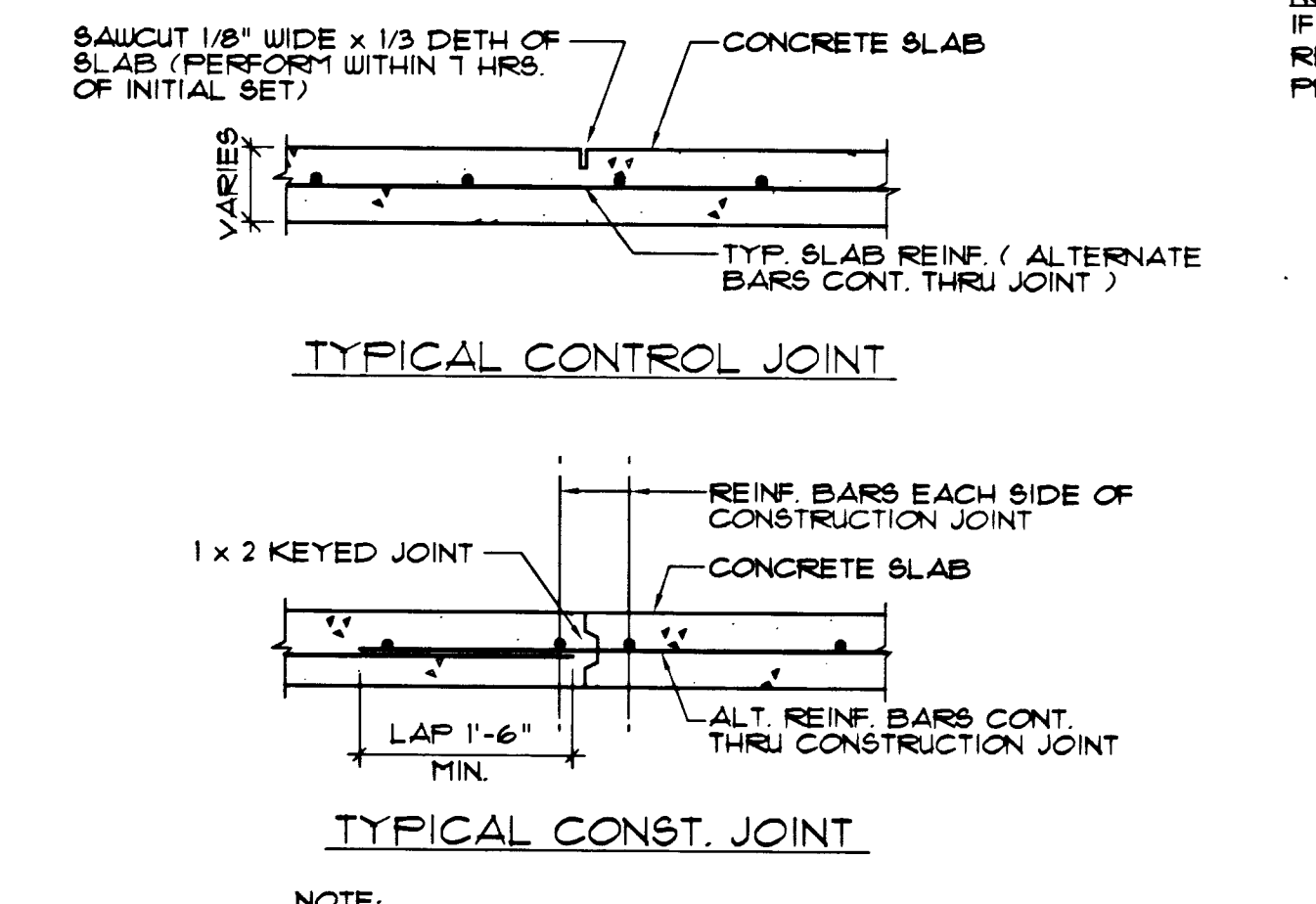
JOIST DETAIL 10
N.T.S. 01/25



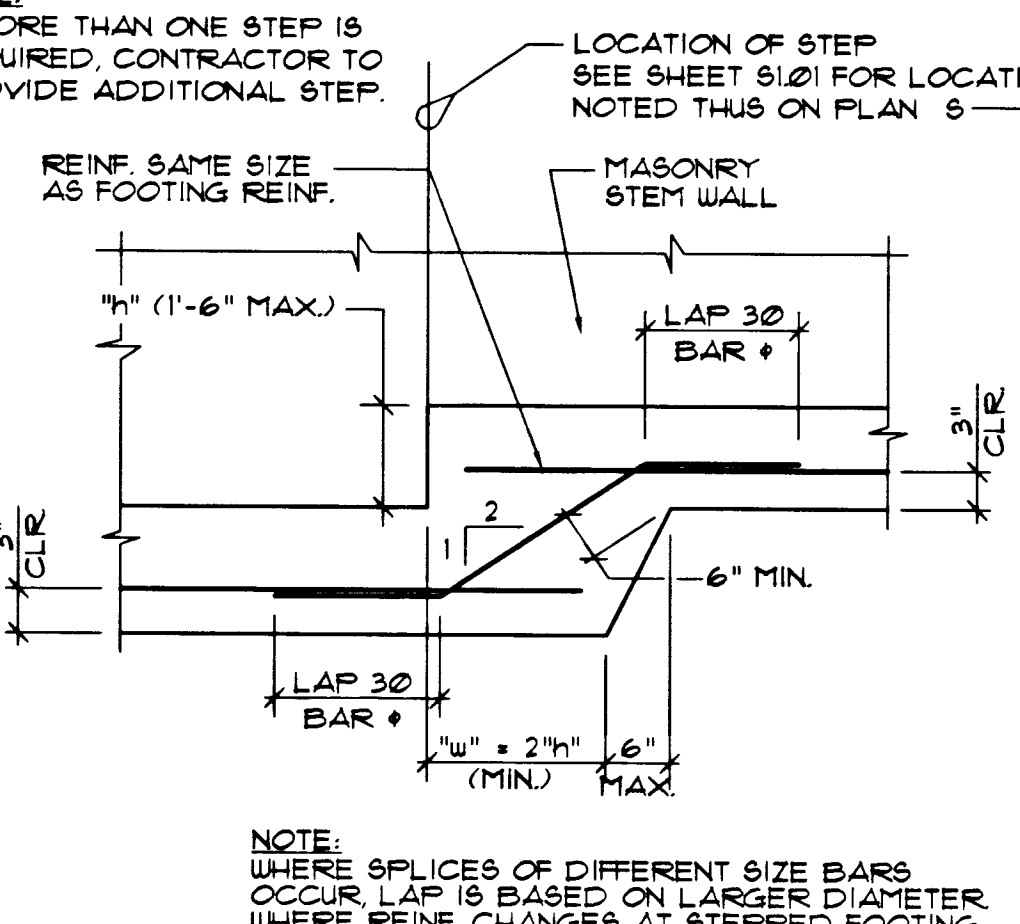
TRUSS DETAIL 11
N.T.S. 01/25



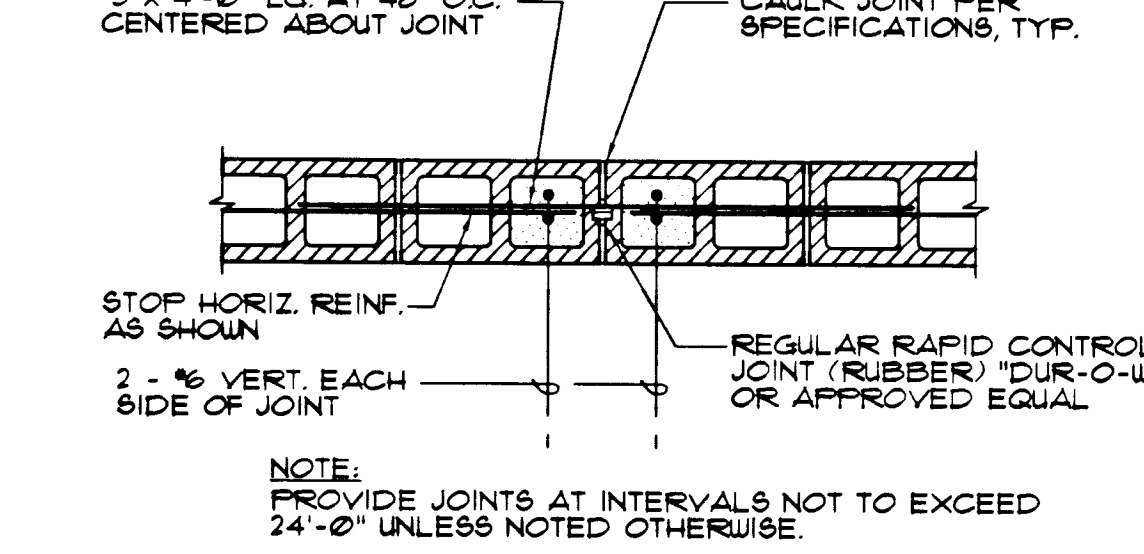
JOIST DETAIL 12
N.T.S. 01/25



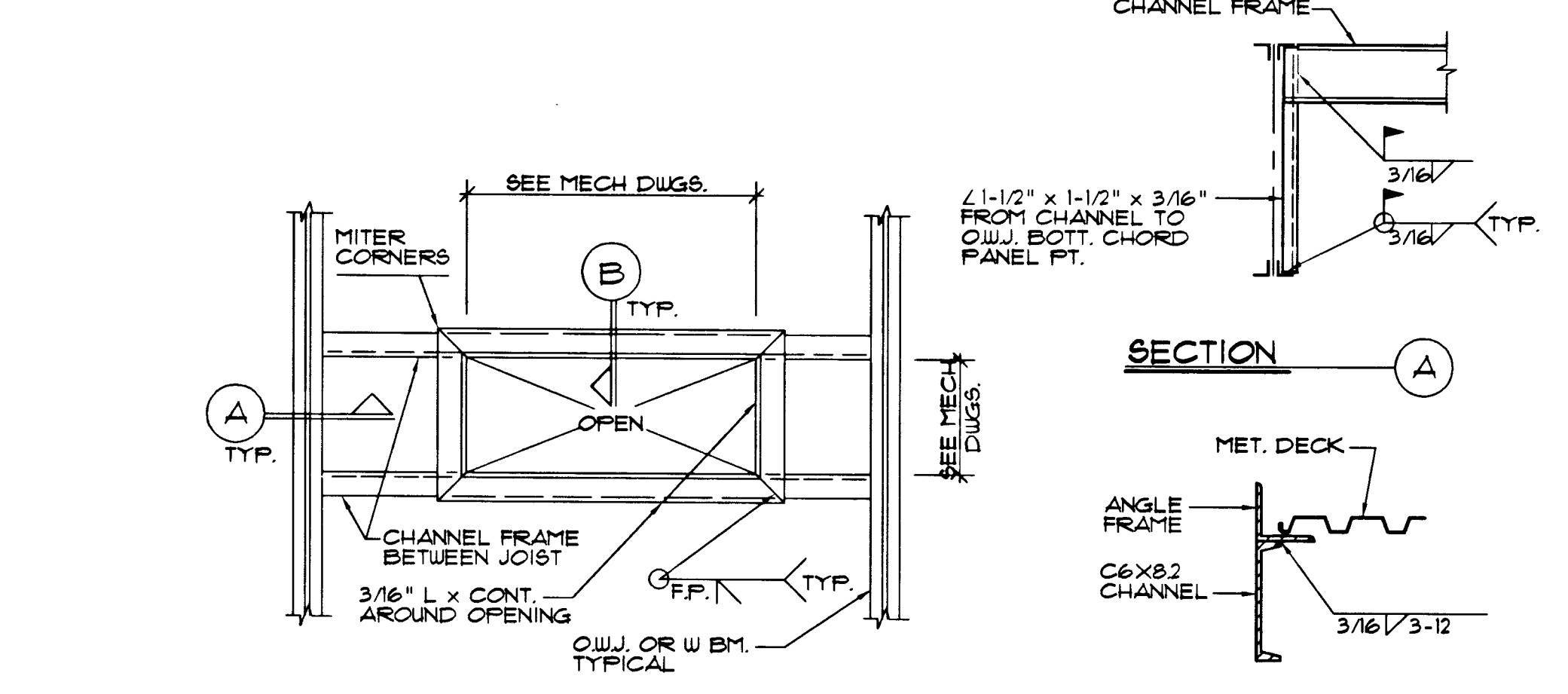
TYP. SLAB JOINTS 13
N.T.S. 01/25



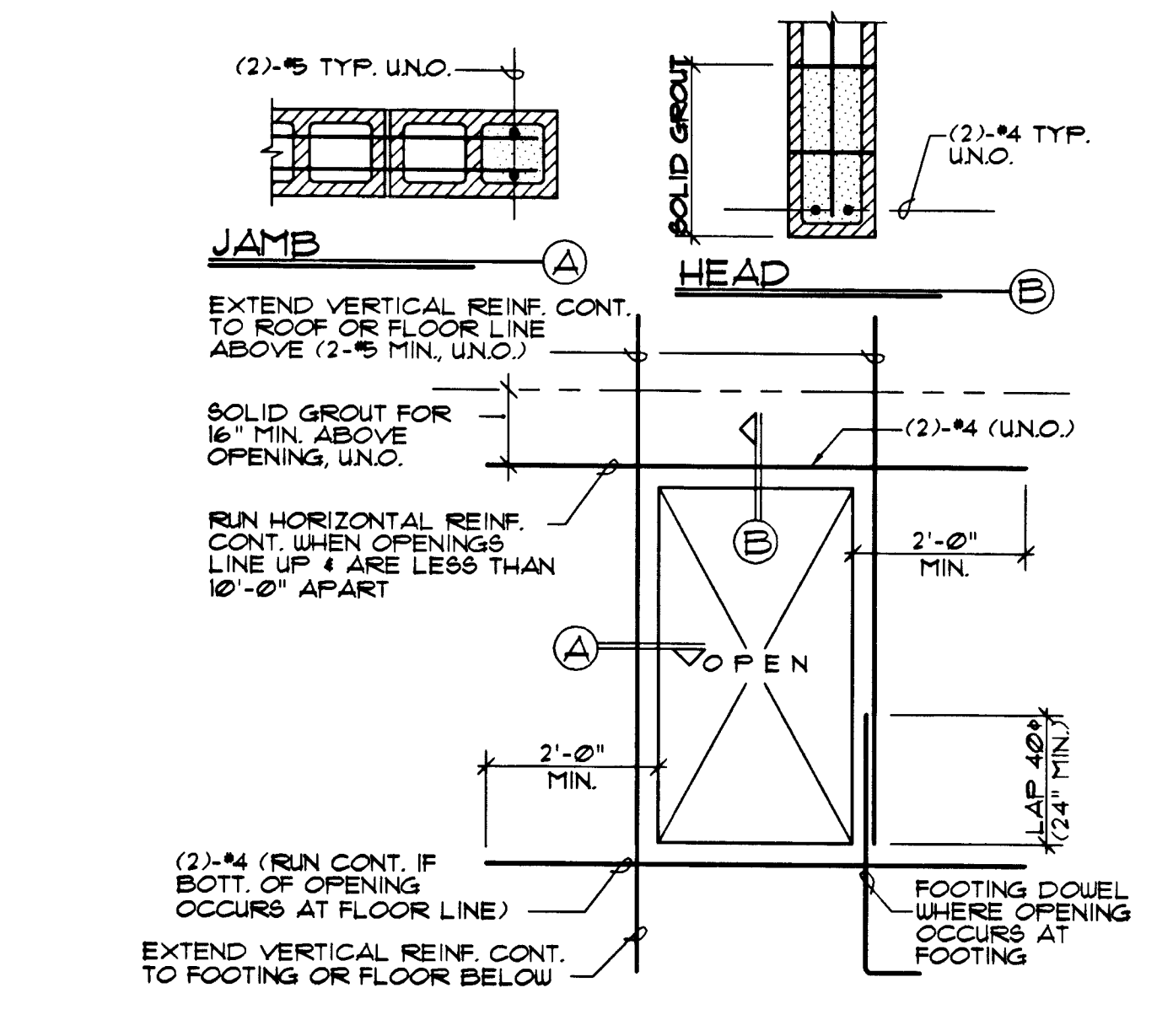
TYP. STEPPED FTG. 14
N.T.S. 01/25



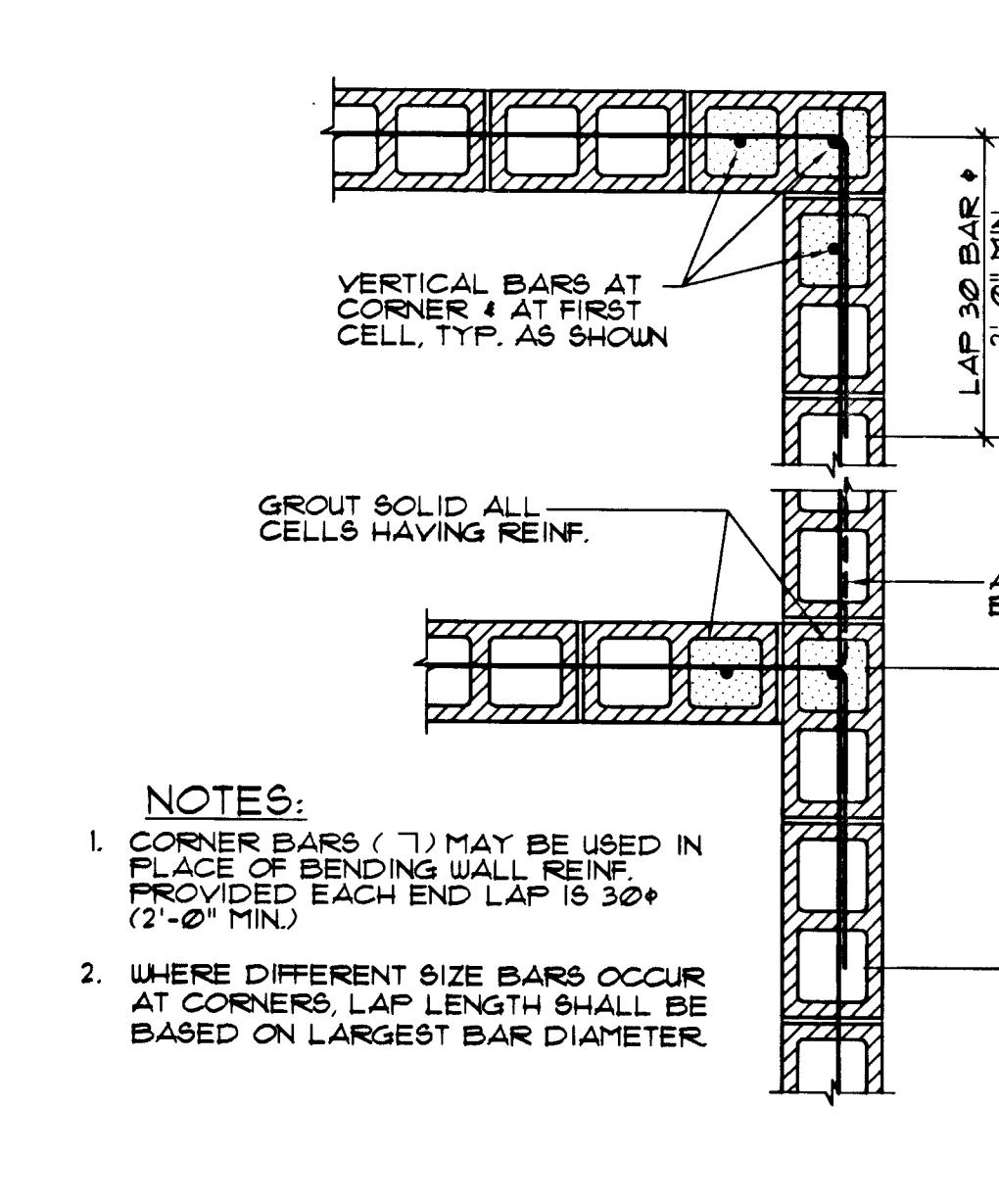
TYPICAL CMU CONTROL JOINT 15
N.T.S. 01/25



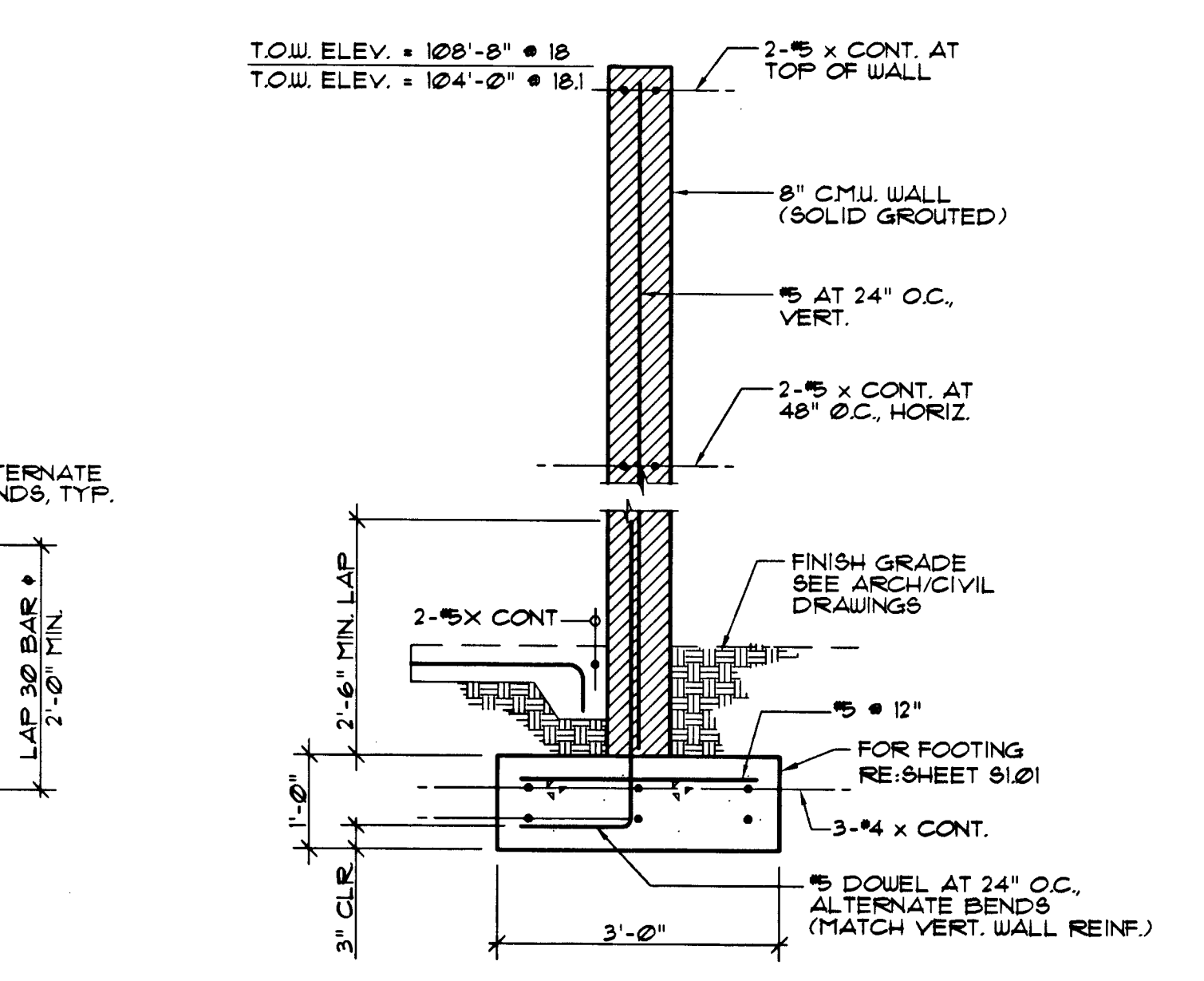
SECTION A and **SECTION B**



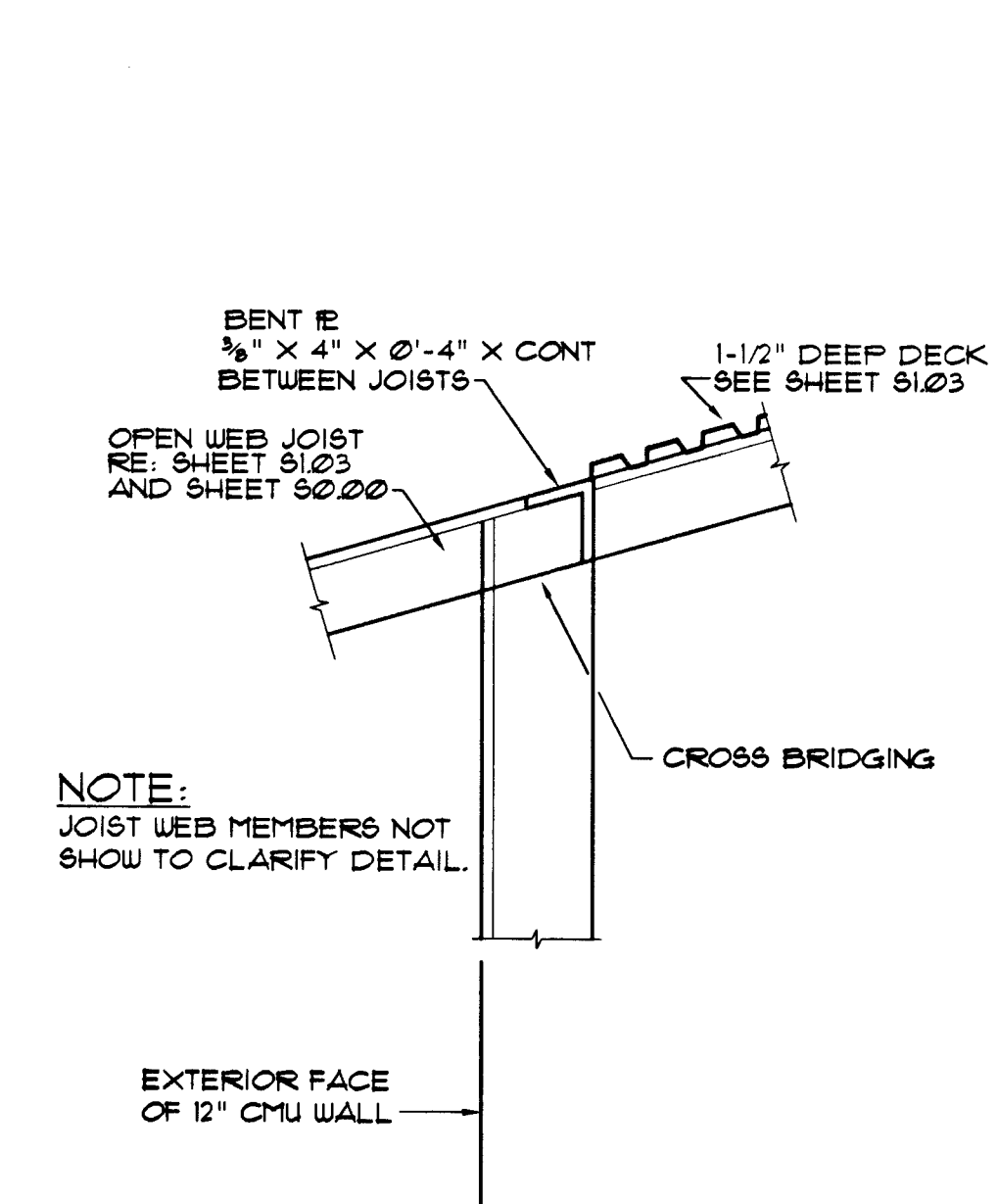
WALL SECTION 16
N.T.S. 01/25



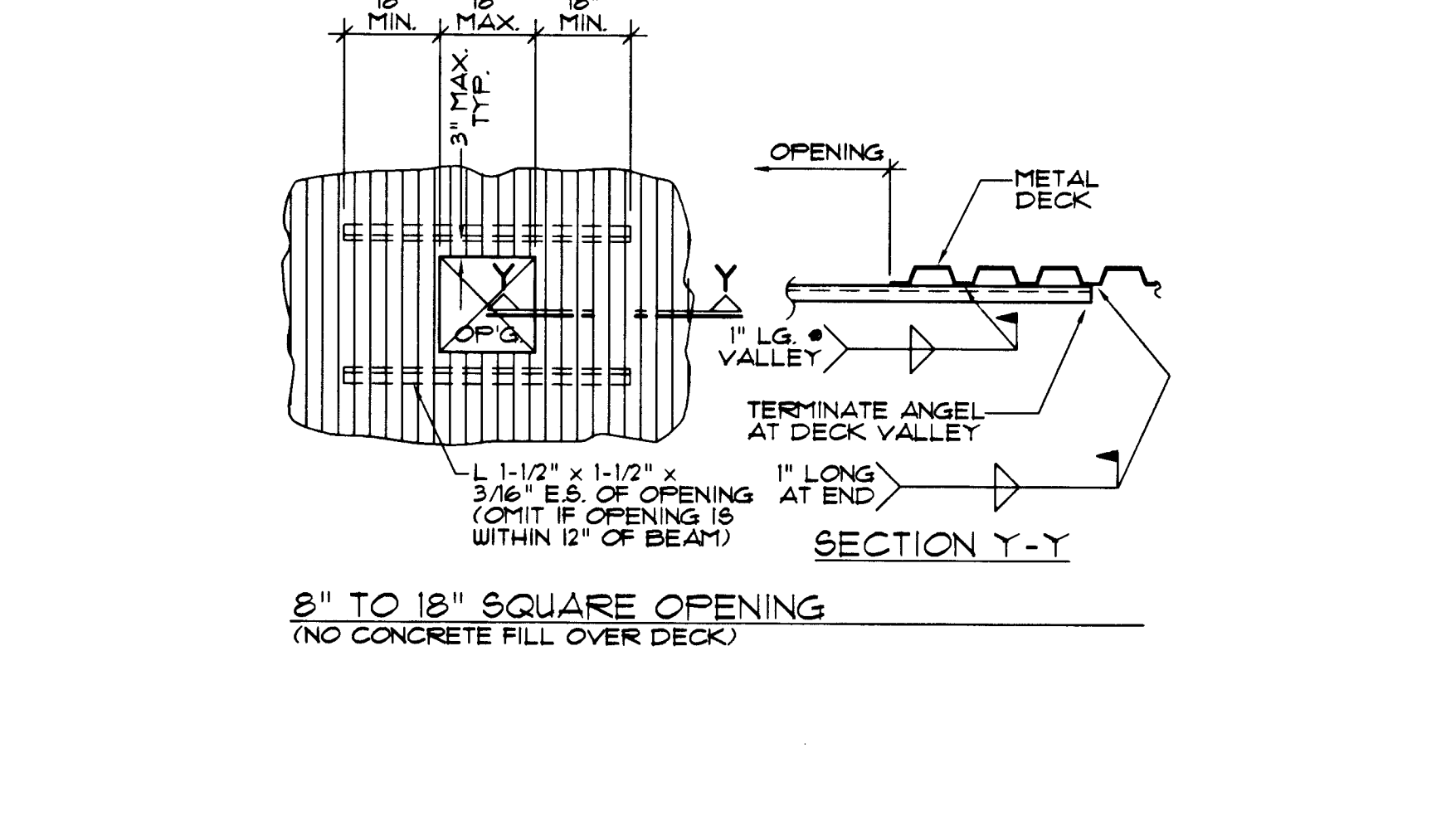
TYPICAL WALL INTERSECTION 17
N.T.S. 01/25



SCREEN WALL DETAIL 18
N.T.S. 01/25



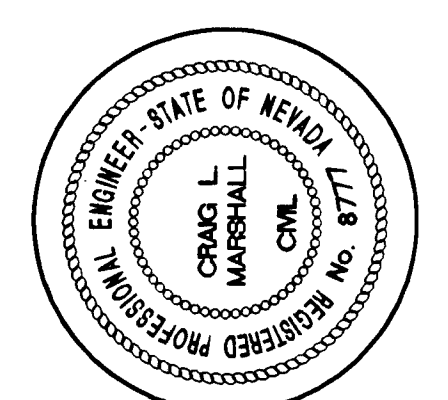
JOIST DETAIL 19
N.T.S. 01/25



TYPICAL FRAMING AROUND ROOF OPENING 20
N.T.S. 01/25

ARCHITECTS

709 Valle Verde Court
Henderson, Nevada 89014
Tel. 702 . 456 . 3000
Fax. 702 . 898 . 6209



Consultant
ENGINEERS PLANNERS SURVEYORS
POGGEMEYER DESIGN GROUP
2801 NORTH TENAYA WAY LAS VEGAS, NEVADA 89128 (702) 255-8100

Sheet Title
DETAILS
Project
CITY OF LAS VEGAS
WEST VEHICLE SERVICE CENTER

Revisions
ISSUED FOR CONTRACTORS
DATE OF REVISION
DRAWINGS

Date:
09.25.95
Sheet No. 26
S1.05
522-V61

SHEET PLOT SCALE:
SHEET FILE NAME: S025.DWG