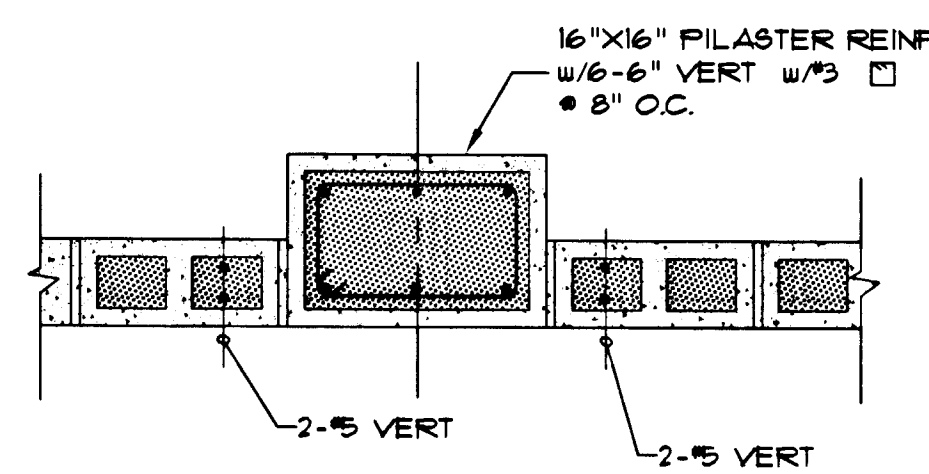
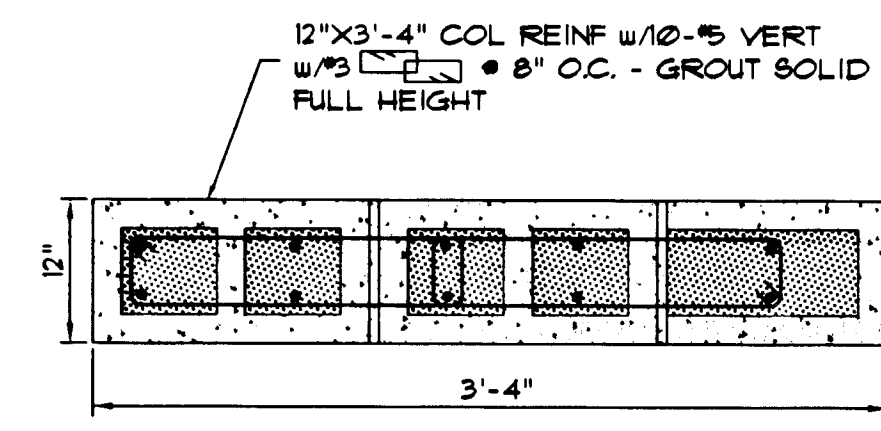


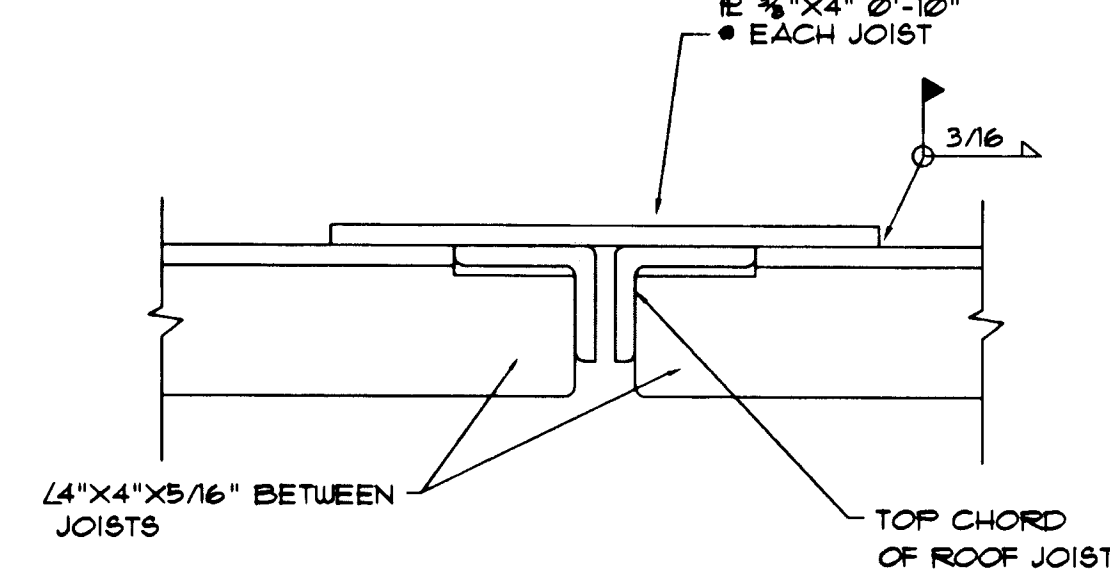
SHEET PLOT SCALE:
SHEET FILE NAME: 9106.DWG



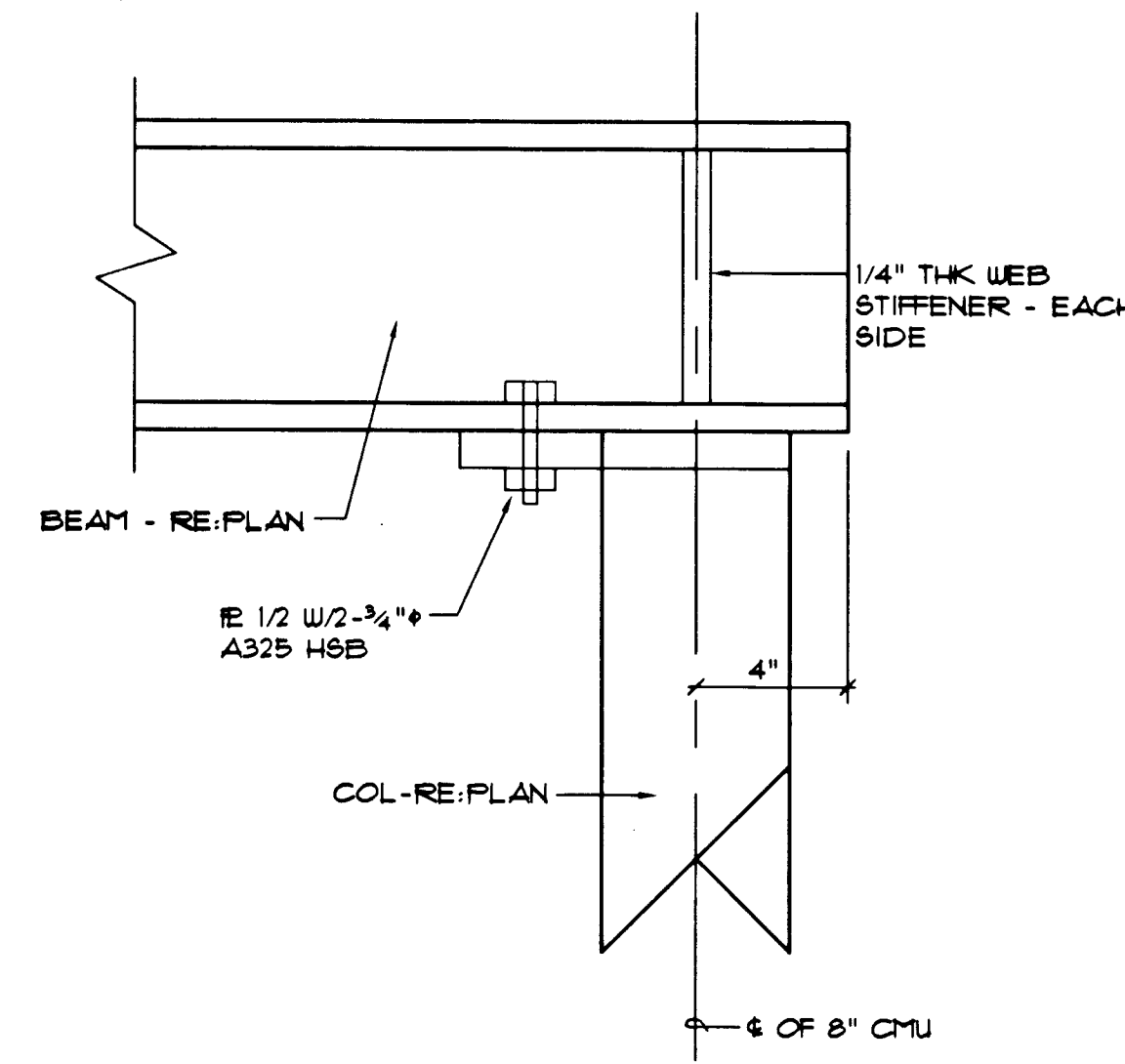
NOTE: HORIZONTAL REINFORCING NOT SHOWN TO CLARIFY DETAIL. HORIZONTAL REINFORCING TO EXTEND THROUGH COLUMN.



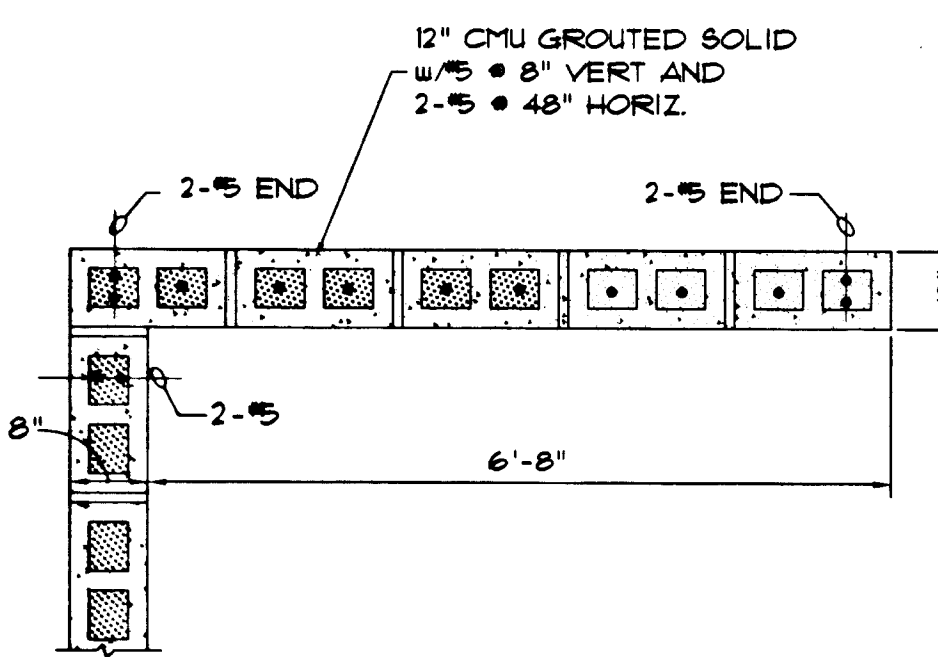
COLUMN DETAIL 2



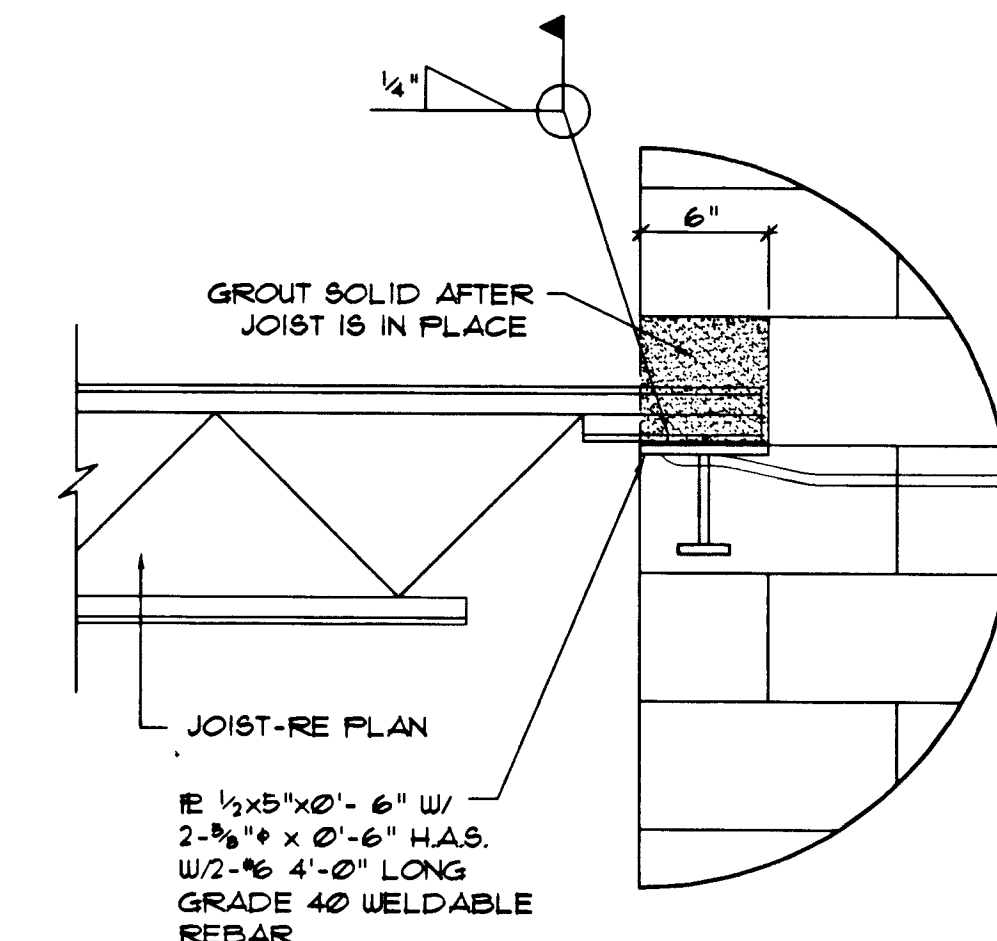
DRAG STRUT DETAIL 3



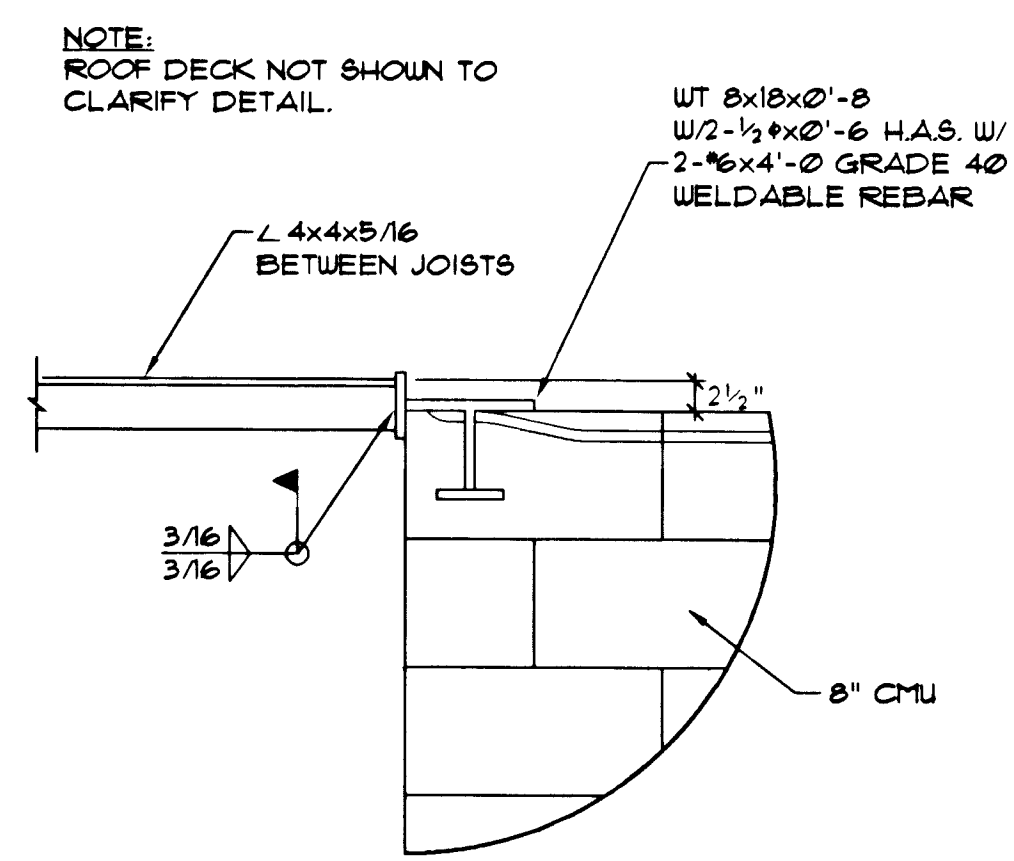
DETAIL 4



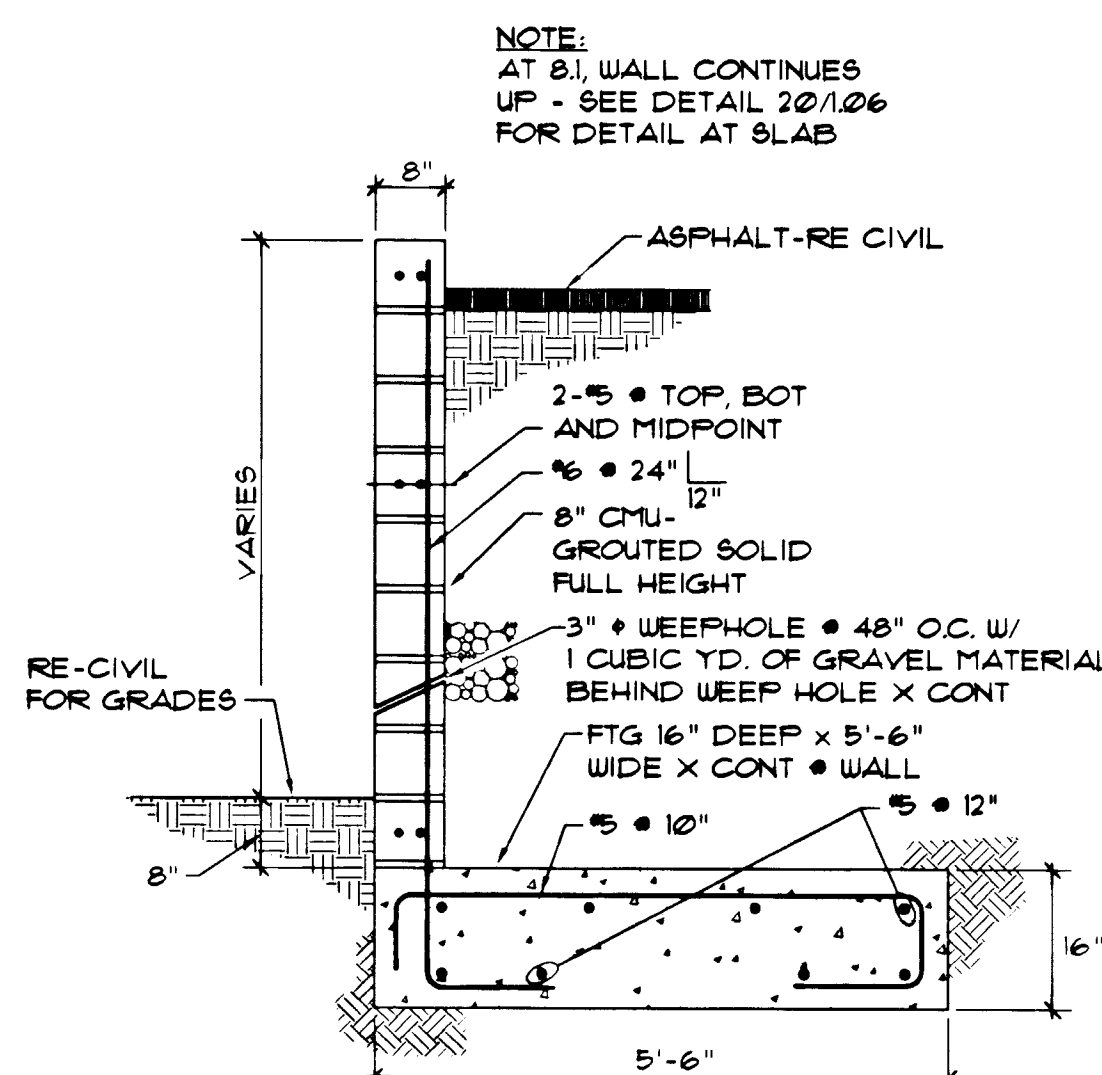
WALL SECTION 5



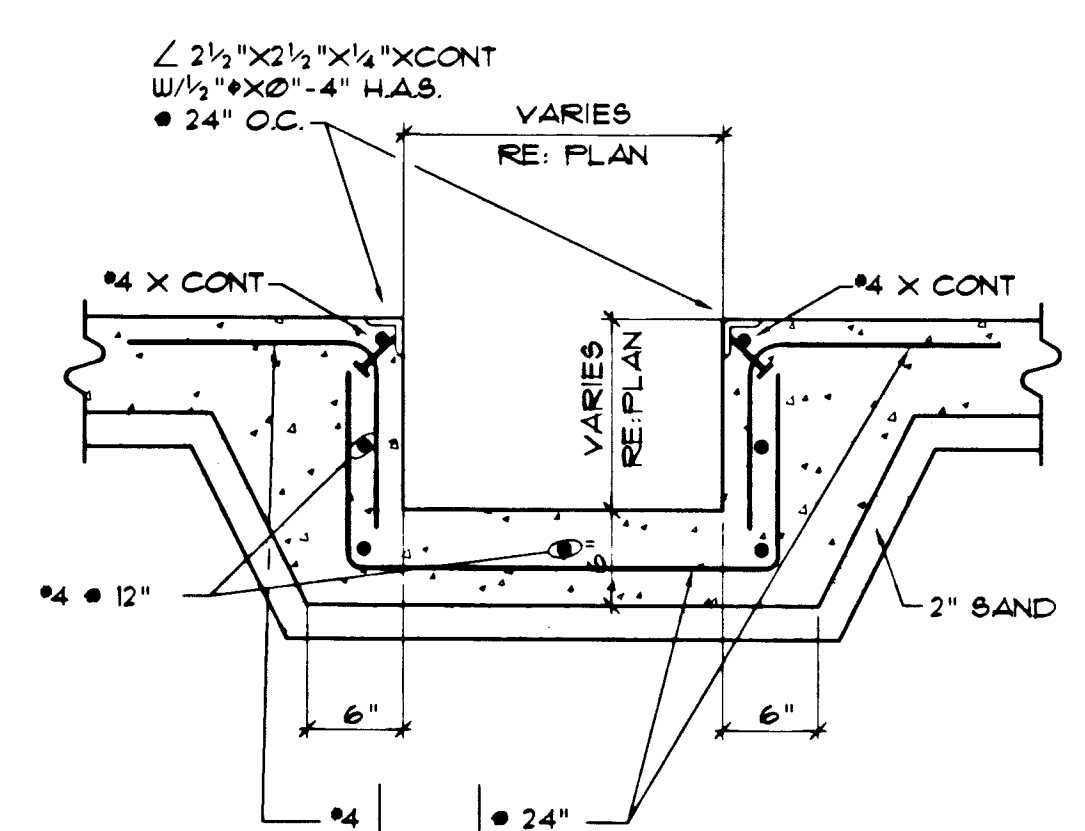
JOIST DETAIL 6



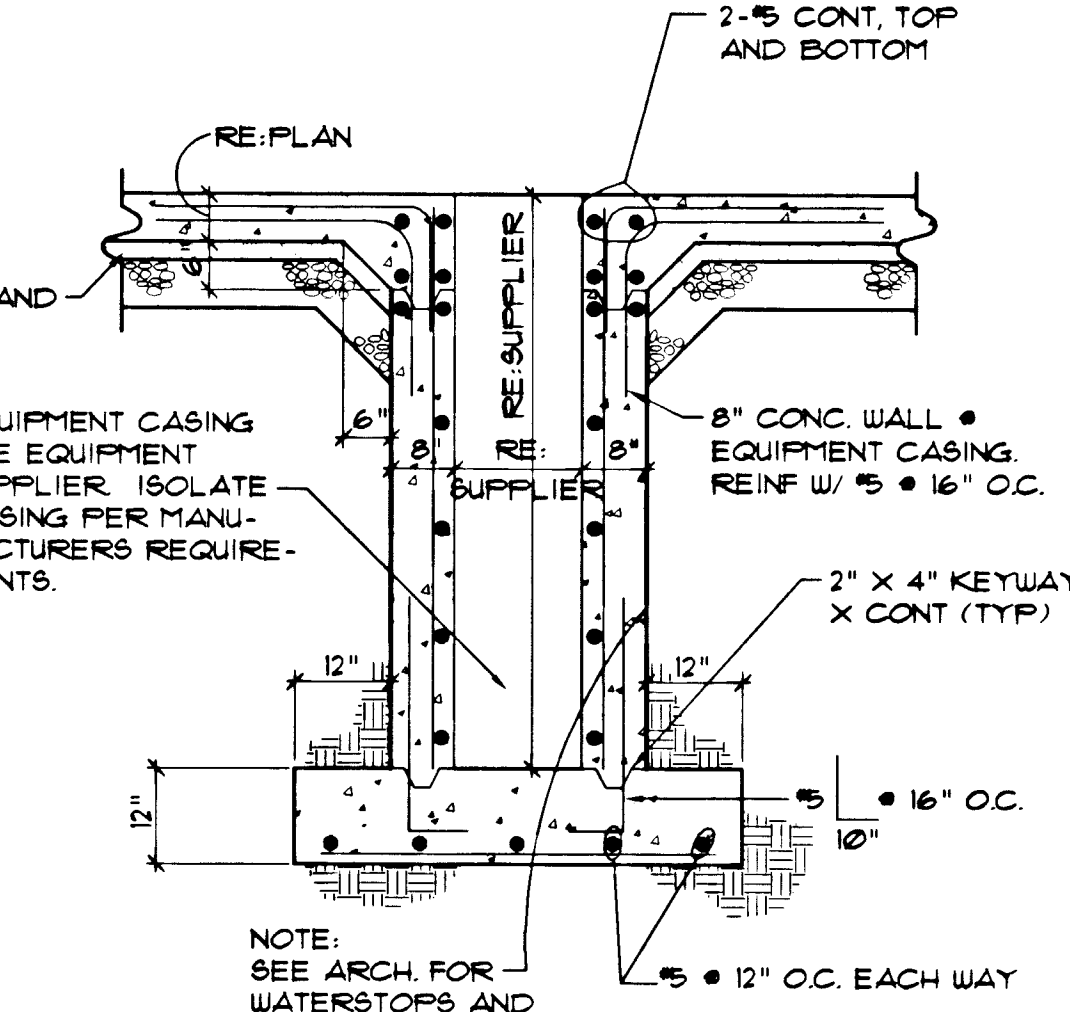
DRAG STRUT DETAIL 7



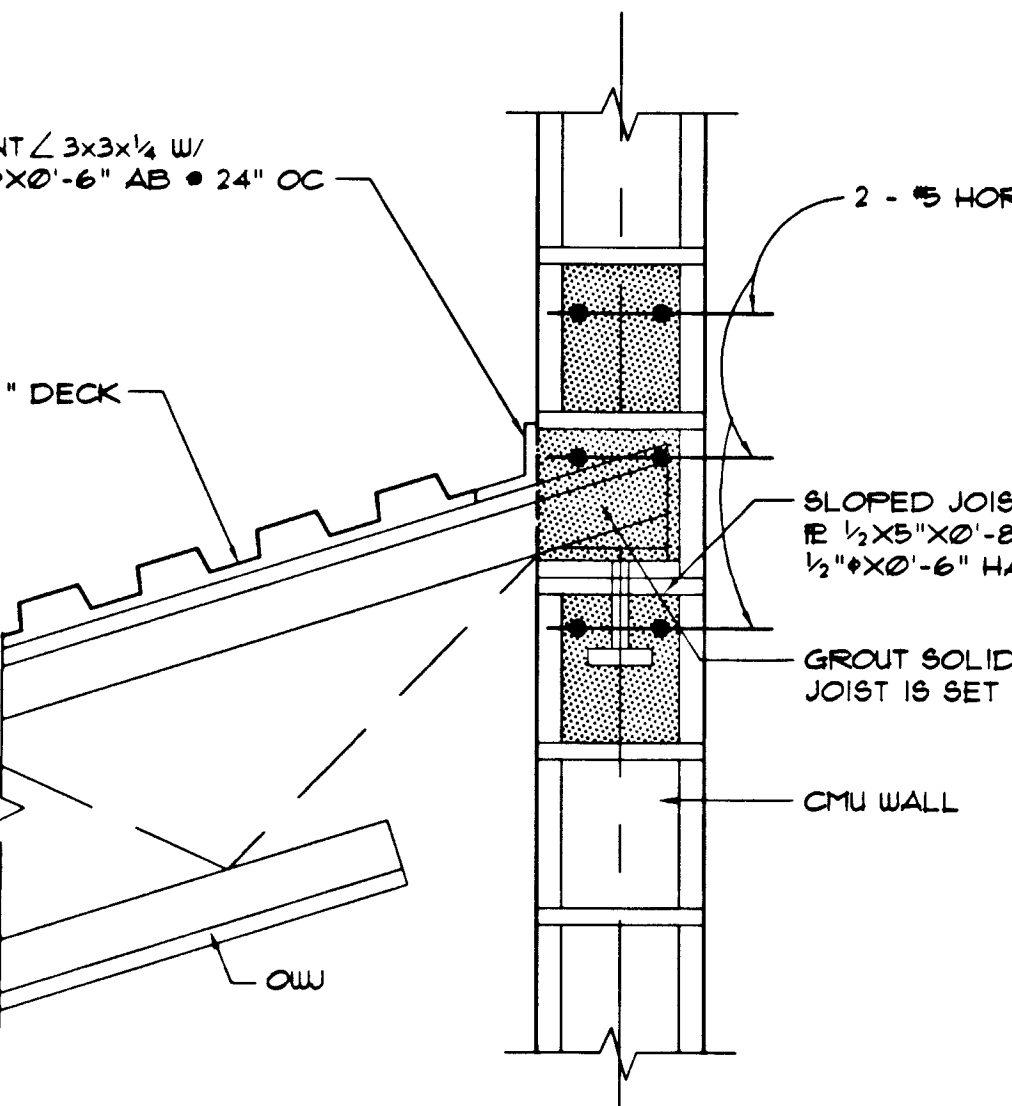
RETAINING WALL - EXTERIOR 8



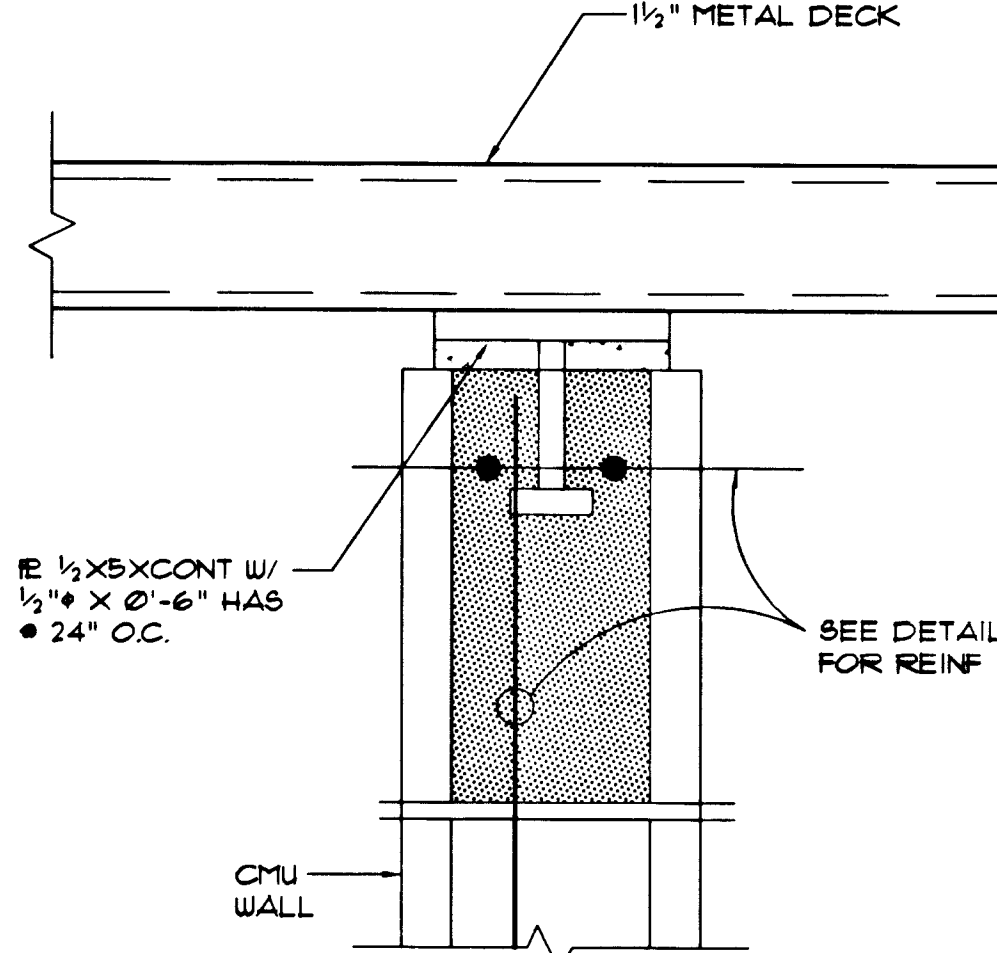
PIT DETAIL 9



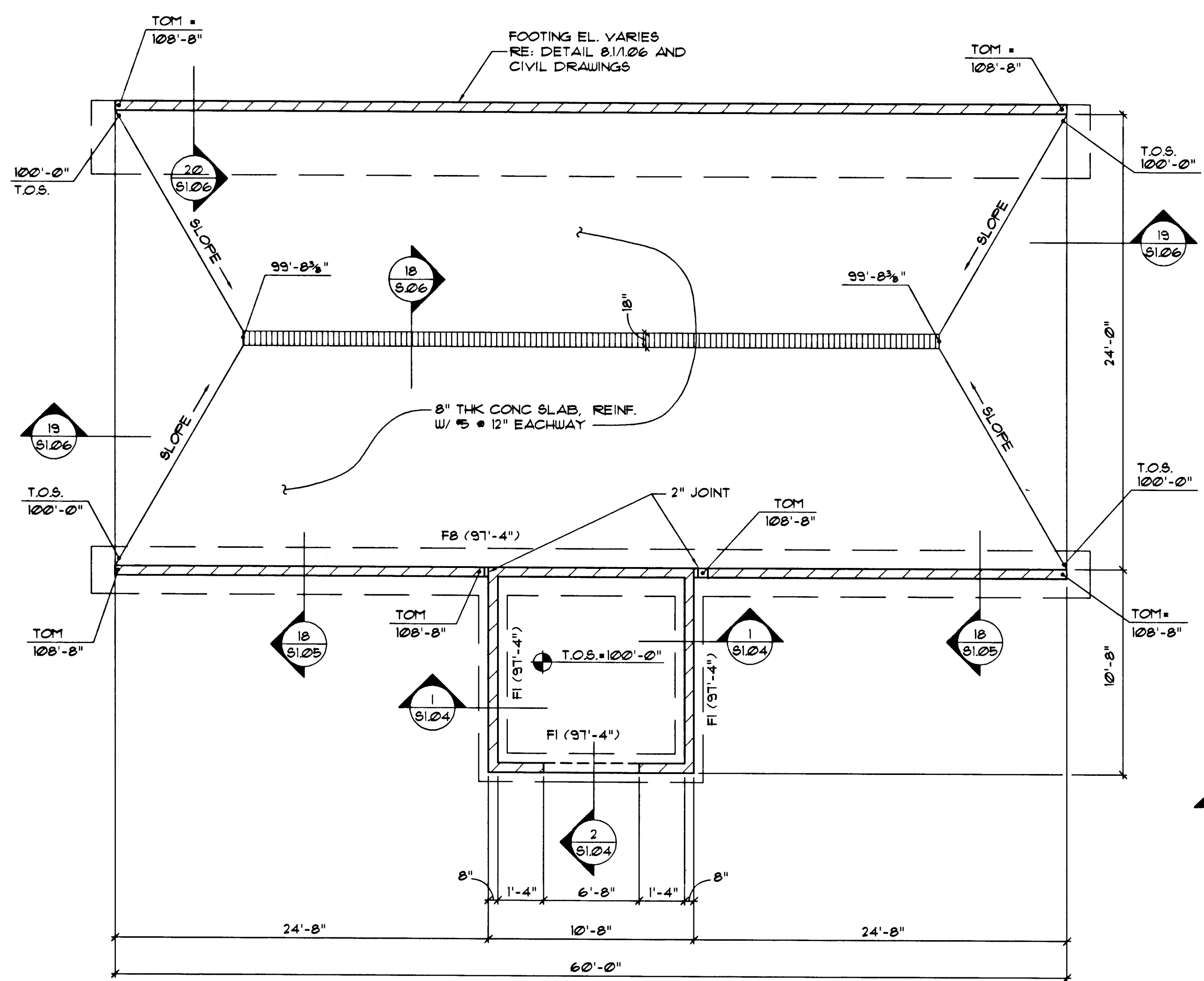
PLUNGER DETAIL 10



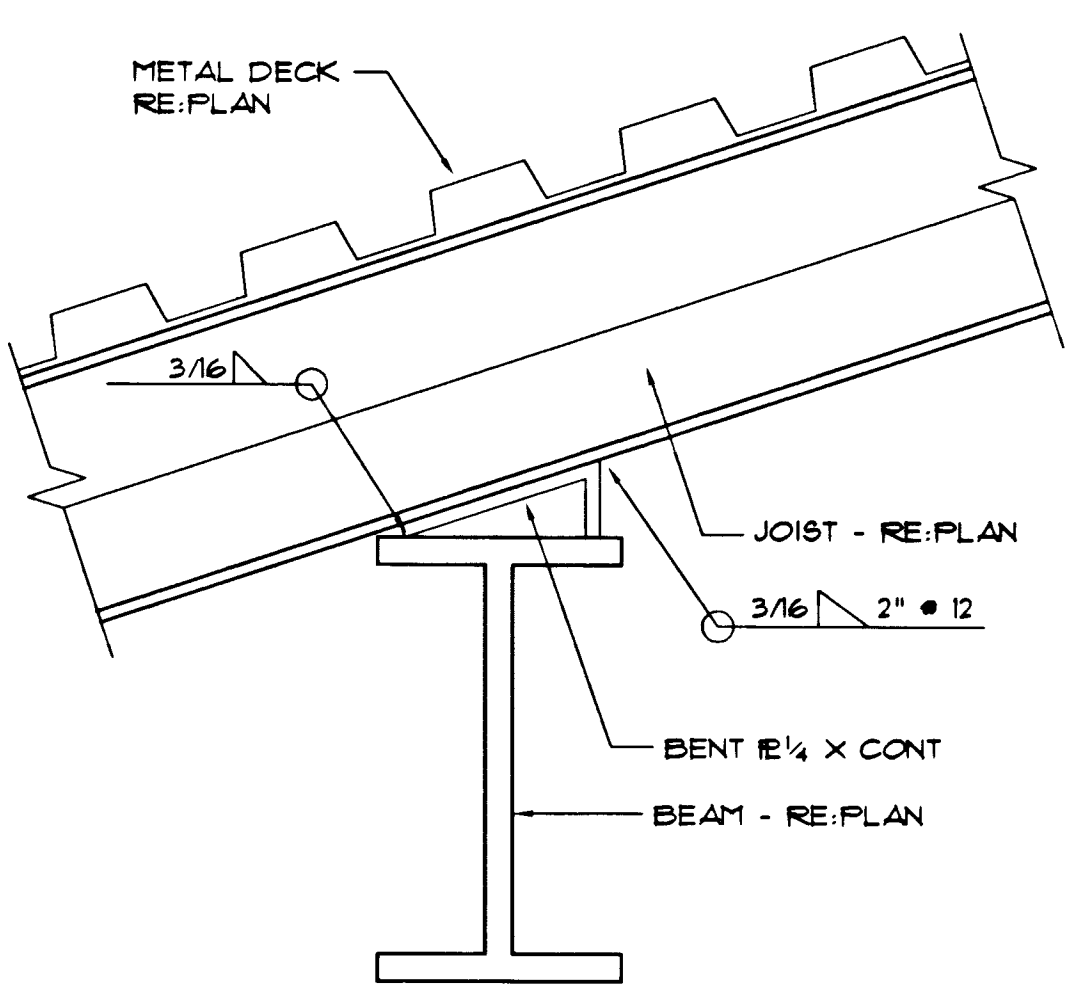
DETAIL 11



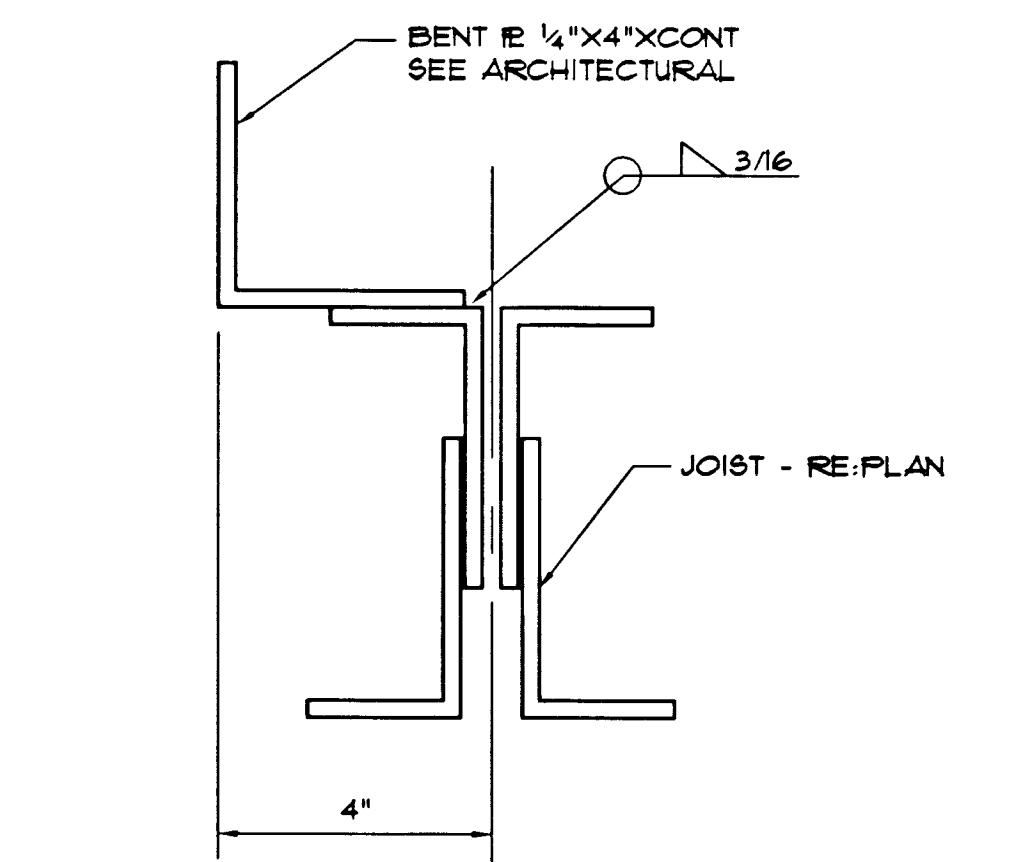
DETAIL 12



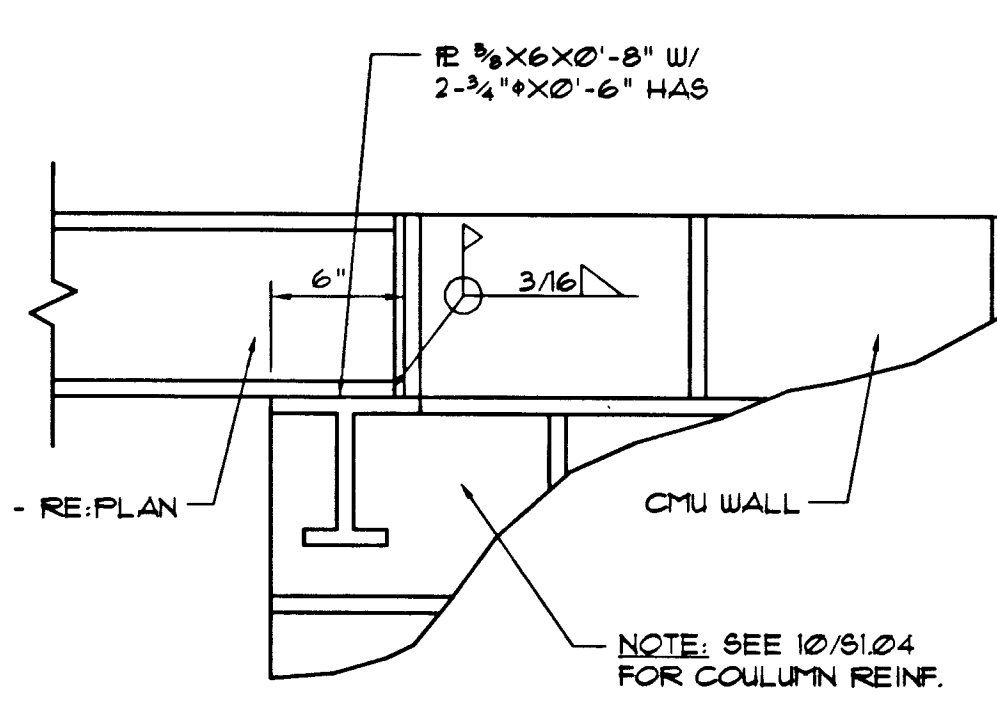
FOOTING & FOUNDATION PLAN - TRUCK WASH 13



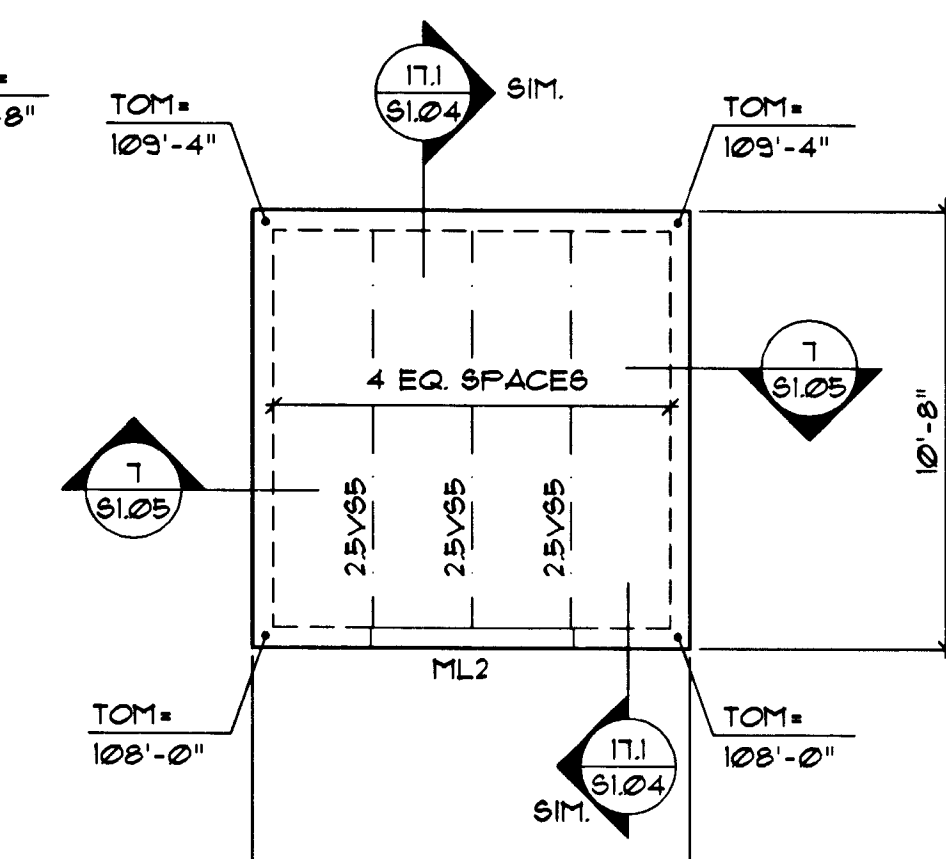
DETAIL 15



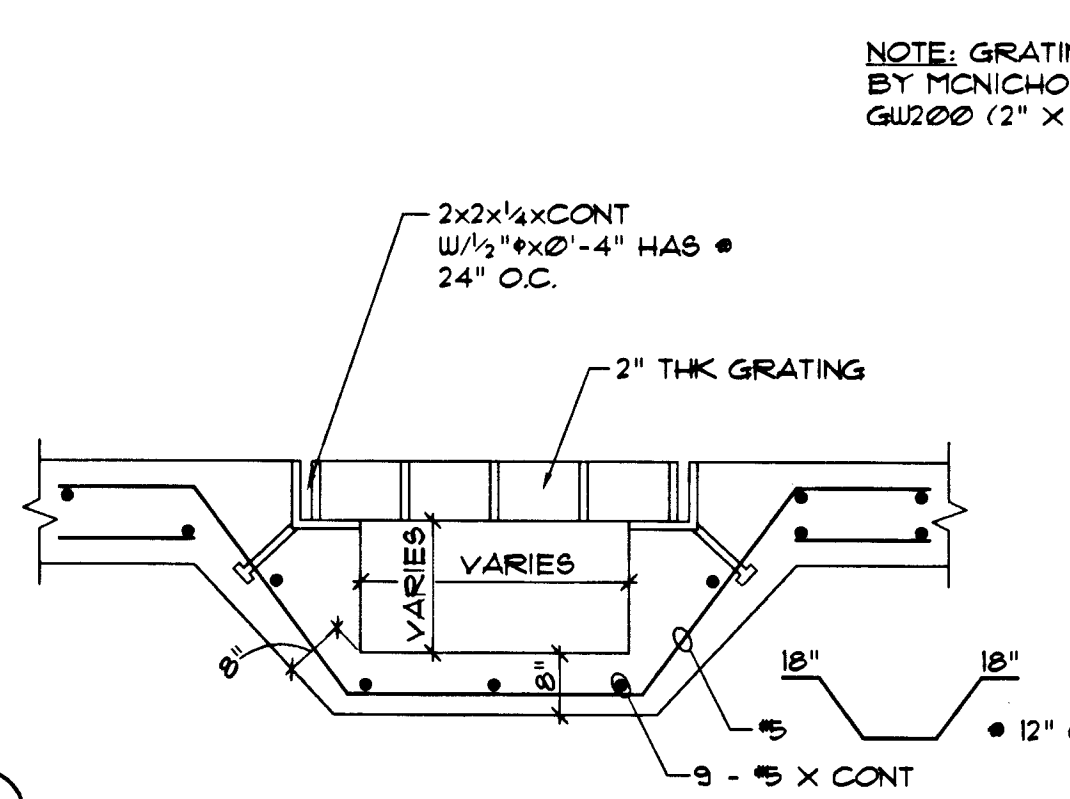
DETAIL 16



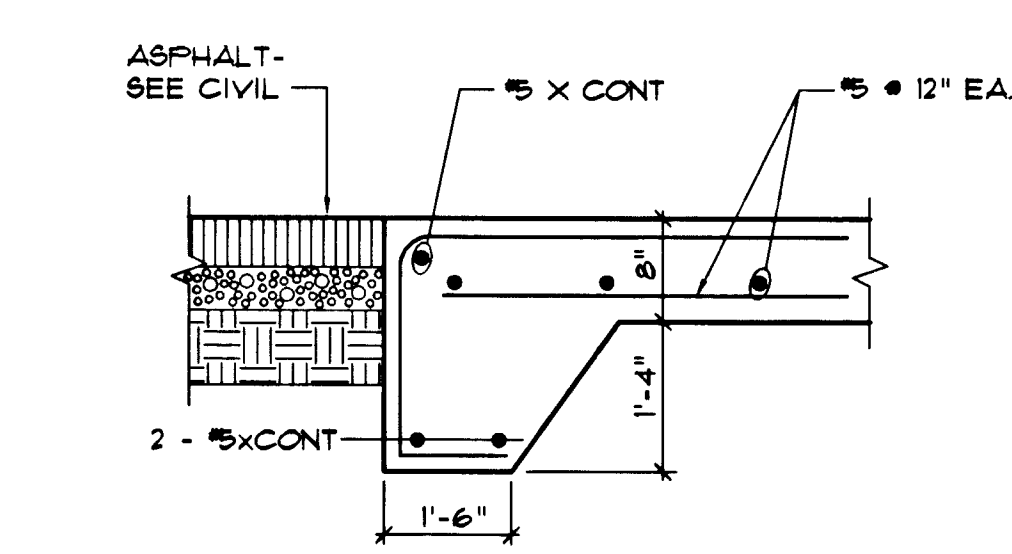
DETAIL 17



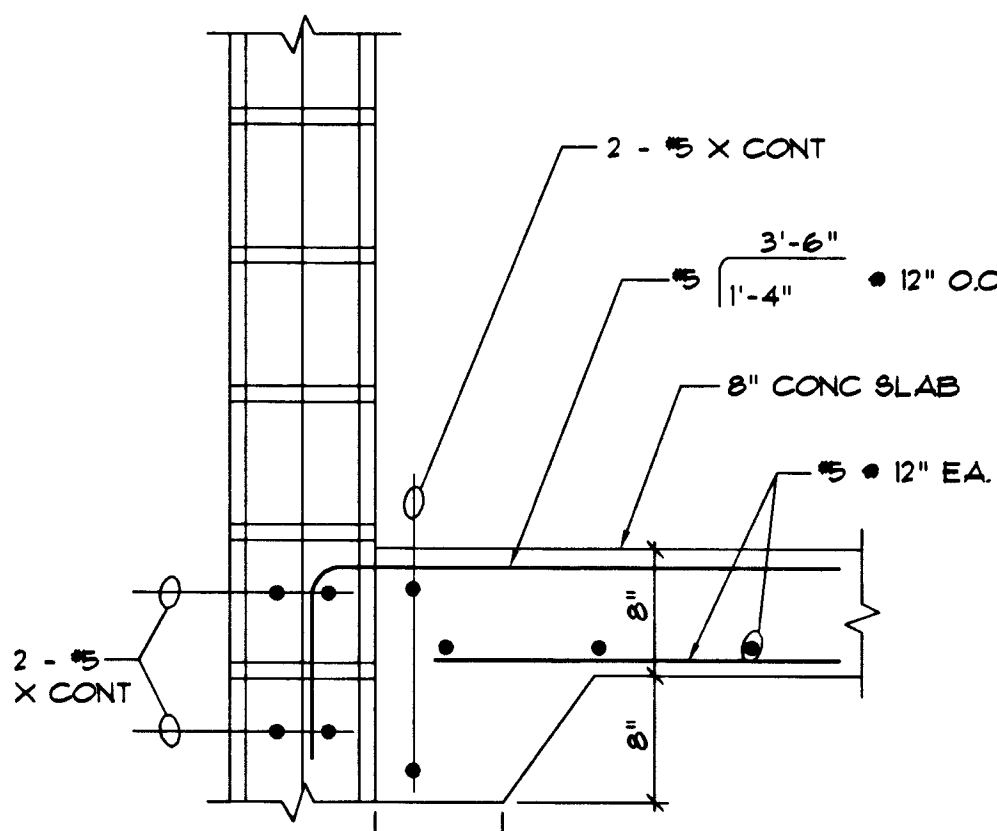
ROOF FRAMING PLAN 14



DETAIL 18



DETAIL 19



DETAIL 20

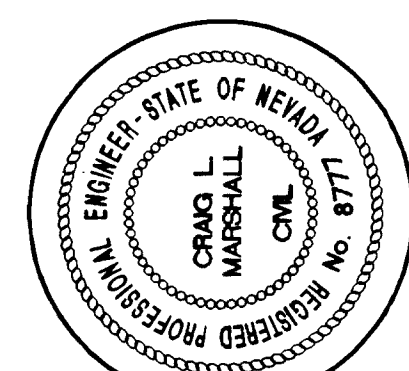
NOTES:
1. TOP OF SLAB (TOS) ELEV. 102'-0" (2366.00' SEE CIVIL DRAWINGS) UNLESS NOTED THIS. T.O.S. = XXX'-X"
2. SEE SHEET 9106 FOR GENERAL NOTES.
3. TOP OF FOOTINGS NOTED THIS ON PLAN (XXX'-X")
4. FOOTINGS NOTED THIS ON PLAN - "FX" SEE SHEET 9106 FOR SCHEDULE.
5. VERIFY ALL SLAB ELEVATIONS WITH CIVIL DRAWINGS.
6. FOR LOCATION OF TRUCKWASH SEE SHEET C122

NOTES:
1. TOP OF MASONRY NOTED THIS XXX'-X"
2. MASONRY LITEL NOTED THIS ON PLAN. "ML-X" LITEL TO OCCUR ABOVE OPENINGS. SEE ARCHITECTURAL FOR OPENING LOCATION. SEE SHEET 9106 FOR SCHEDULE.

4426

ARCHITECTS

708 Valle Verde Court
Henderson, Nevada 89014
Tel. 702.458.3000
Fax. 702.898.6209



POGGEMEYER DESIGN GROUP
2801 NORTH TENNYSON WAY, LAS VEGAS, NEVADA 89128 (702) 735-8100

CITY OF LAS VEGAS
WEST VEHICLE SERVICE CENTER

Revision 18
CONTRACTOR'S PREPARATION OF RECORD DRAWINGS

Date: 09.25.95
Sheet No. 27
S1.06
522-V61

AS-FULL