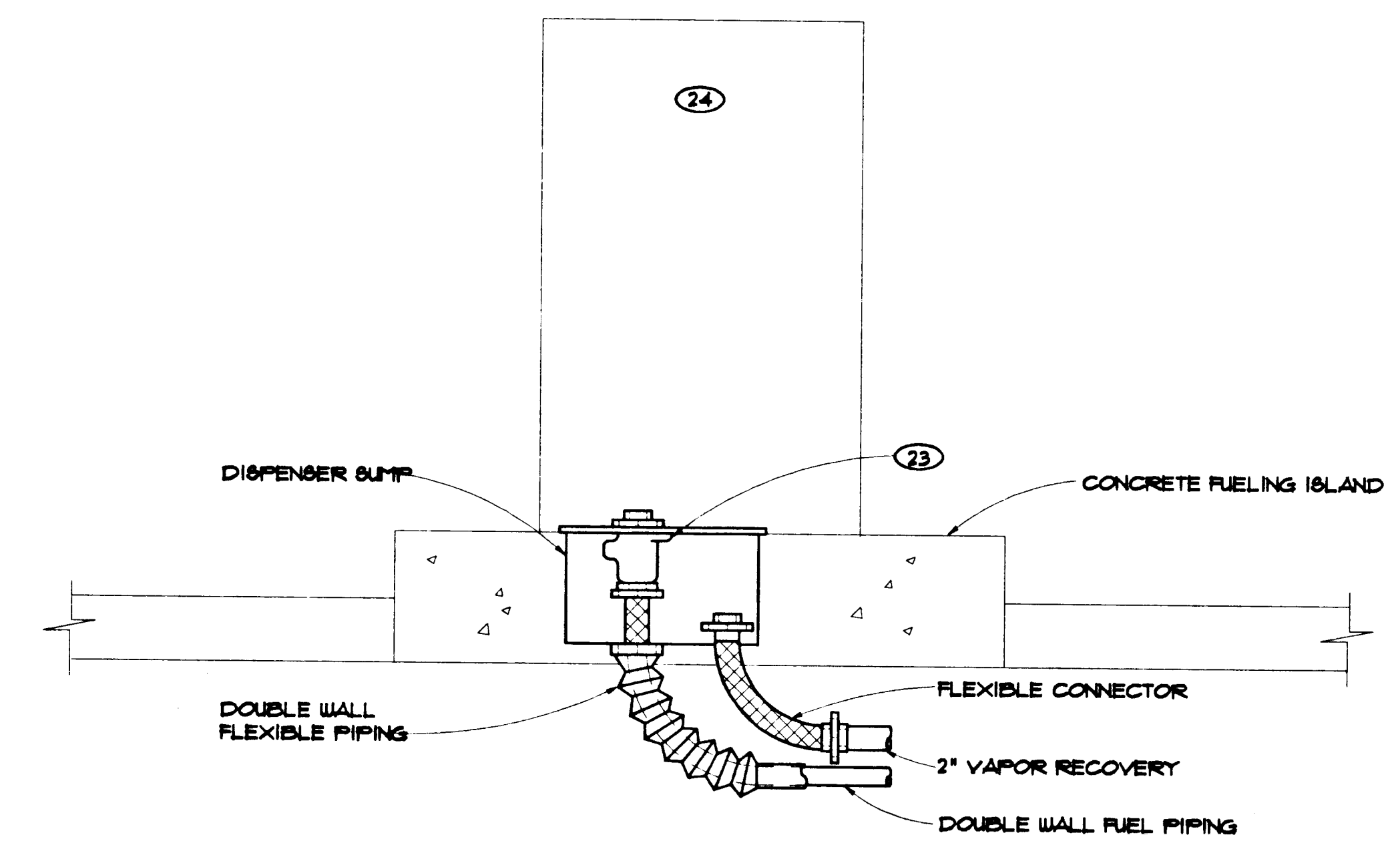


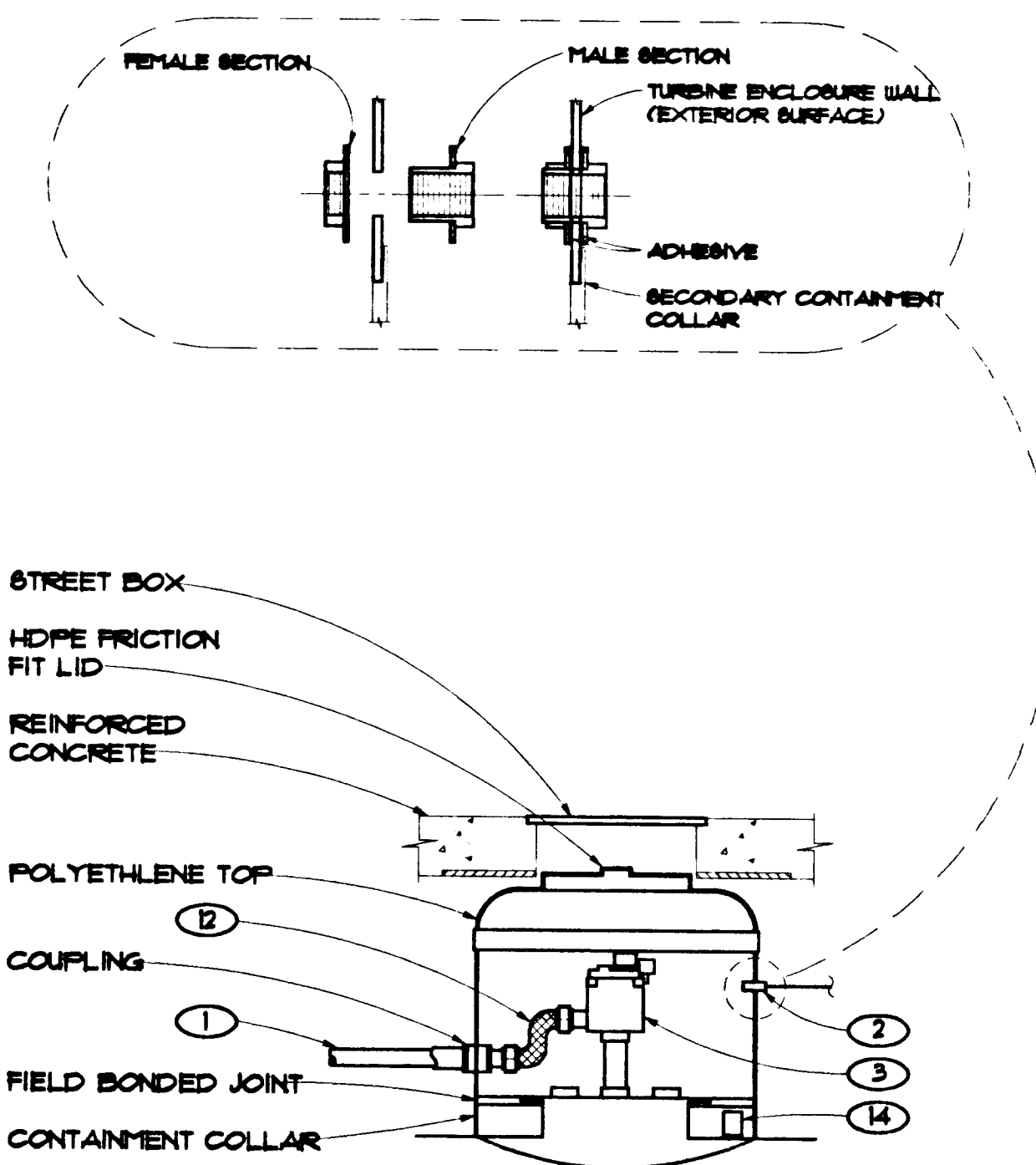
**UNDERGROUND GASOLINE STORAGE TANK**  
NO SCALE

1  
P3.01



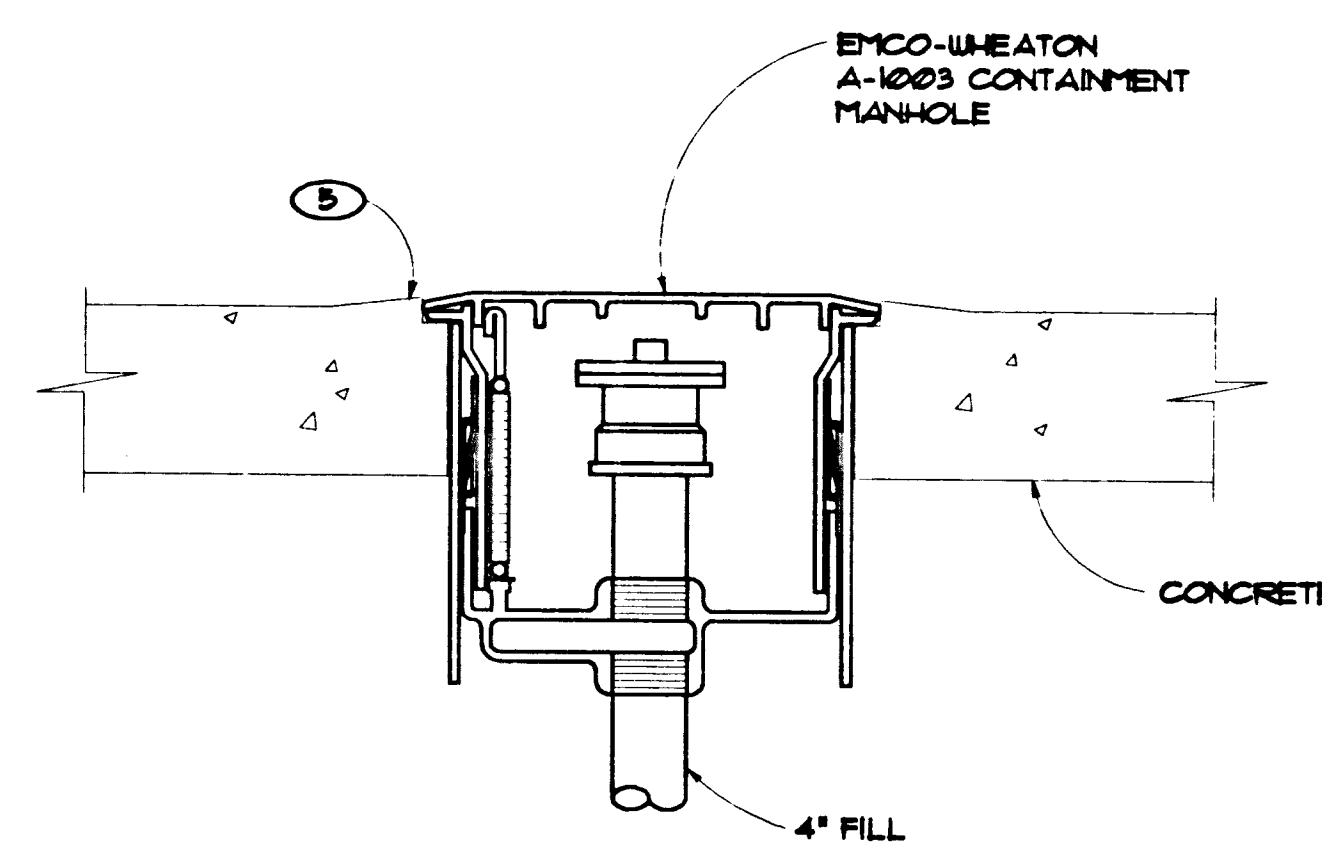
**GASOLINE DISPENSER ROUGH-IN DETAIL**  
NO SCALE

2  
P3.01



**PUMP MANHOLE DETAIL**  
NO SCALE

3  
P3.01



**FILL POINT DETAIL**  
NO SCALE (SEE DETAIL ABOVE)

4  
P3.01

**NOTES**

- ① DBL. WALL FUEL PIPING. SLOPE 1/4" LF MIN. BACK TO FUEL PUMP.
- ② LEAK DETENTION & TANK LEVEL MONITORING SYSTEM CONDUITS (REF.).
- ③ FUEL PUMP W/ LEAK DETECTOR.
- ④ 36" MANWAY & FRAMING.
- ⑤ PROVIDE 1" RAIBED LIP AROUND MANWAY COVER.
- ⑥ FUEL LEVEL GAUGE.
- ⑦ EMCO-WHEATON 12" AT11 MANHOLE.
- ⑧ INTERSTITIAL TANK PROBE & MONITOR.
- ⑨ 2" VENT, SEE PLANS FOR CONT.
- ⑩ 2" VAPOR RECOVERY LINE FROM DISPENSER.
- ⑪ TANK COVER PAD & MANWAYS TO BE DESIGNED FOR H-20 LOADING.
- ⑫ FLEXIBLE PIPING CONNECTOR.
- ⑬ 2" VAPOR RECOVERY FITTING.
- ⑭ OVERFLOW PREVENTION VALVE.
- ⑮ EMCO-WHEATON A75 SERIES FLOAT VALVE EXTRACTOR.
- ⑯ 8"x8"x1/4" THICK STEEL EPOXY ENCAPULATED STRIKER PLATE.
- ⑰ 12" THICK CONCRETE BASE W/ #6 BARS @ 12" O.C. EACH WAY. PAD DIM. TO BE 2'-0" LONGER & WIDER THAN TANK - DEADMAN ANCHOR WILL BE ACCEPTABLE EQUAL.
- ⑱ HOLD DOWN STRAPS & TURN BUCKLES. TYPE, SIZE, QTY. & LOCATIONS AS PER MFRS. RECOMMENDATIONS.
- ⑲ HOLE EXCAVATION, BACKFILL, ANCHORING & COVERAGE SHALL BE IN STRICT COMPLIANCE W/ TANK MANUFACTURERS INSTALLATION INSTRUCTIONS AS THEY APPLY TO THIS APPLICATION & TRAFFIC PATTERNS.
- ⑳ CONCRETE PAD REQUIREMENTS SHALL BE COORD. W/ TANK MFR. PRIOR TO BEGINING WORK.
- ㉑ DIESEL TANK SIMILAR BUT WITHOUT VAPOR RECOVERY.
- ㉒ FITCH BACK TO TANK @ 1/4" FT.
- ㉓ ULL LISTED UNDER PUMP EMERGENCY SHUTOFF VALVE, EMCO-WHEATON A60 SERIES. W/ STABILIZER BAR.
- ㉔ TWIN HOSE DISPENSER.
- ㉕ SEE DETAIL 3 P3.01.
- ㉖ SEE DETAIL 4 P3.01.

THIS DRAWING PREPARED UNDER SEPARATE CONTRACT BY  
POGGETEYER DESIGN GROUP AND IS INCLUDED HERE AS A  
PART OF THIS BID PACKAGE

709 Valle Verde Court  
Henderson, Nevada 89014  
Tel. 702 . 436 . 3000  
Fax. 702 . 898 . 6209

THESE DRAWINGS AND SPECIFICATIONS ARE THE PROPERTY OF THE CONSULTING ENGINEERS AND SHALL NOT BE REPRODUCED, COPIED, OR TRANSMITTED IN ANY FORM OR BY ANY MEANS, ELECTRONIC OR MECHANICAL, WITHOUT THE WRITTEN PERMISSION OF THE CONSULTING ENGINEERS. THESE DRAWINGS AND SPECIFICATIONS ARE NOT VALID UNLESS SIGNED AND DATED.

CONSULTING ENGINEERS  
JBA  
1000 S. MAIN ST., SUITE 100  
LAS VEGAS, NV 89101  
(702) 735-1100

Project  
**CITY OF LAS VEGAS  
WEST VEHICLE SERVICE CENTER**

Date: 2/5/96  
Sheet No. 37  
**P3.01**  
522-V61