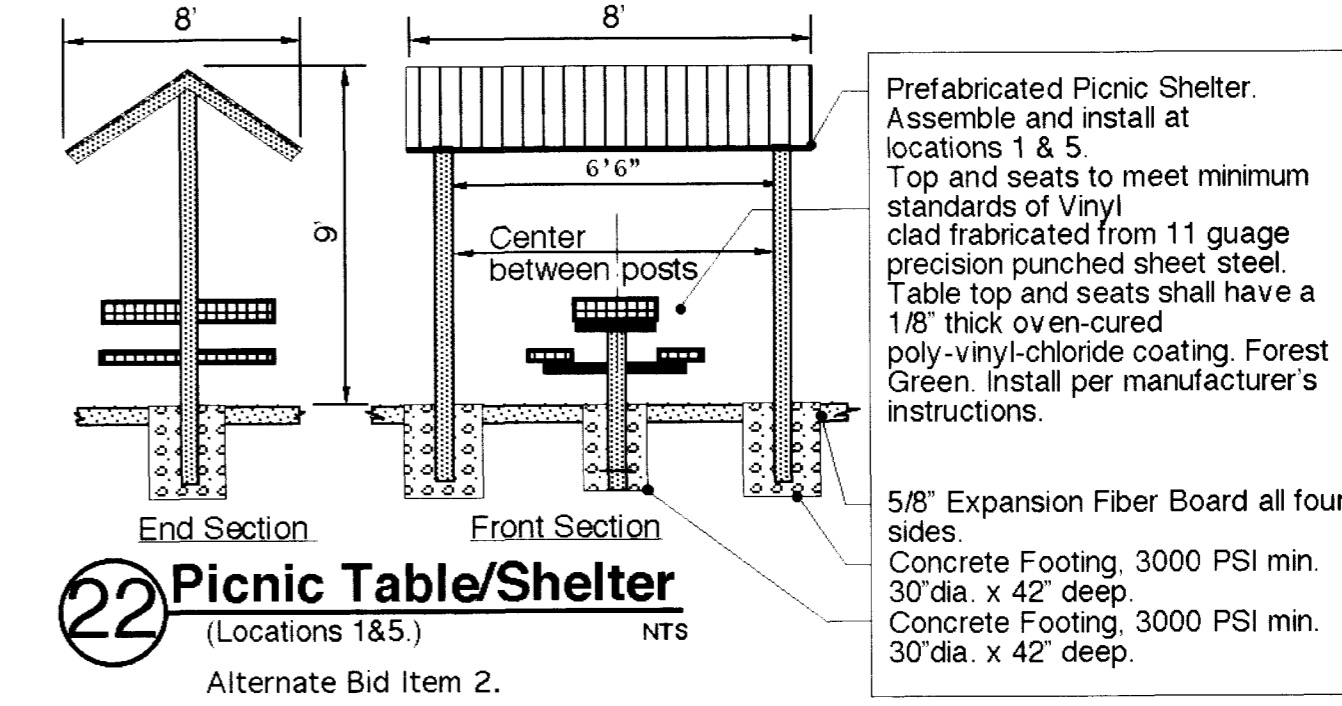
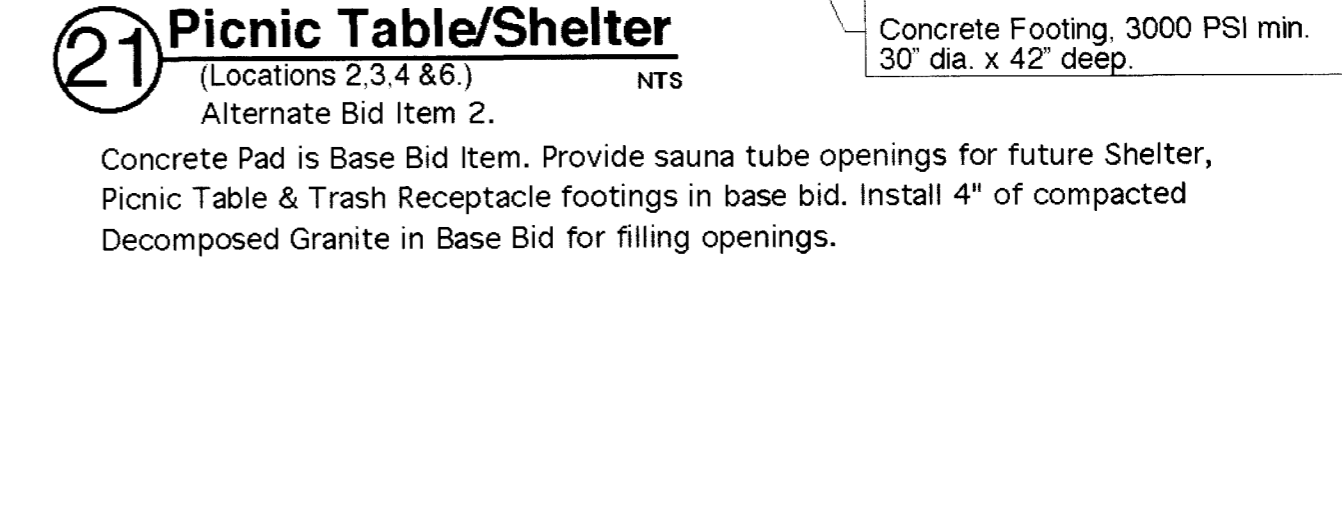
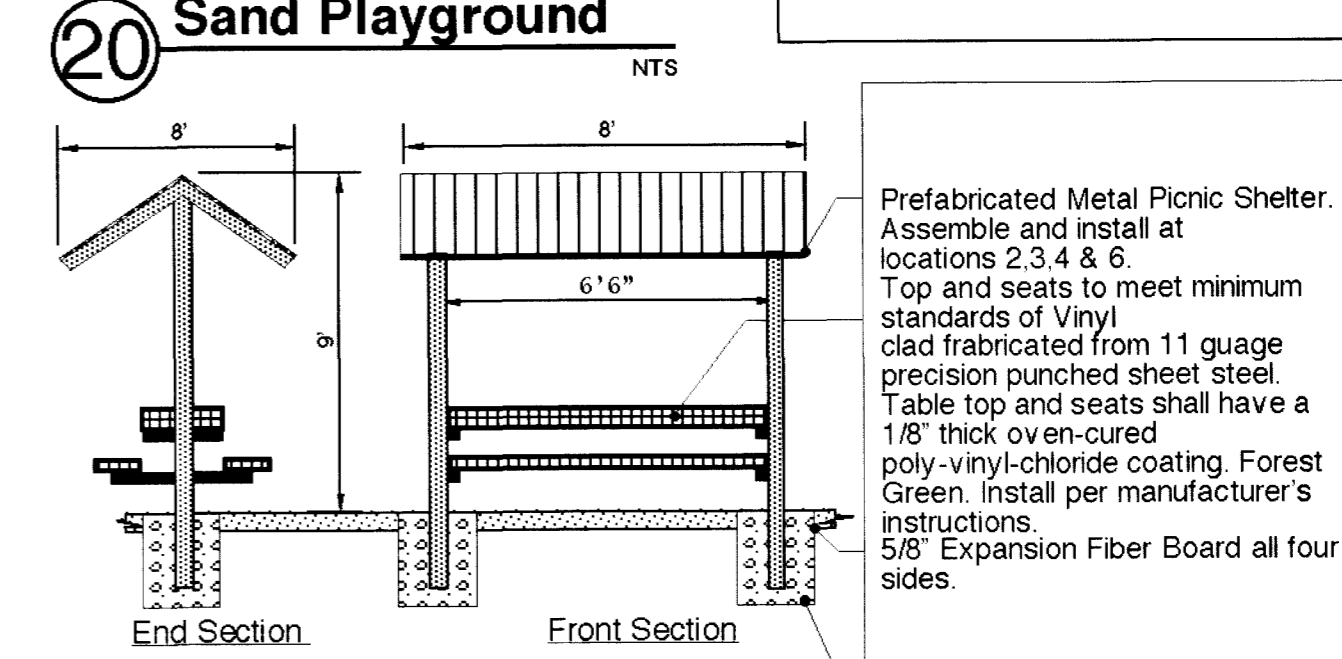
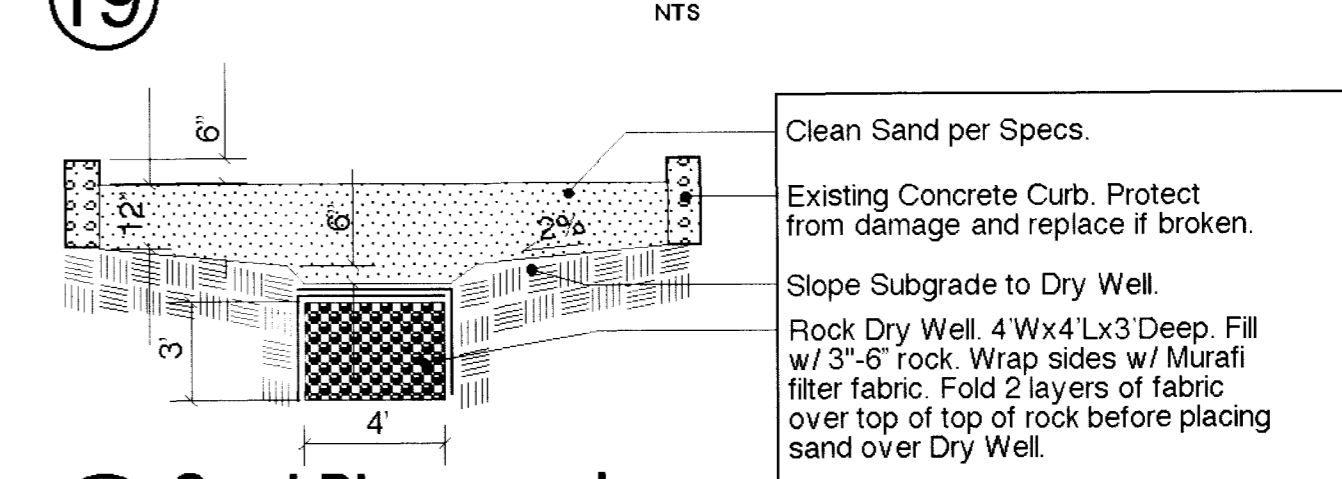
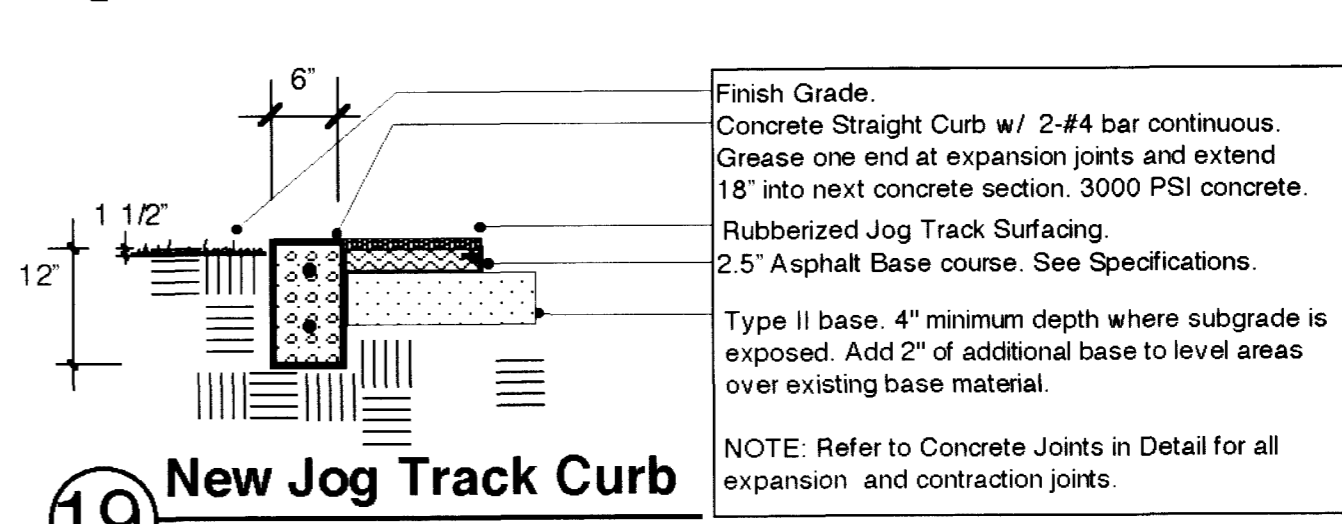
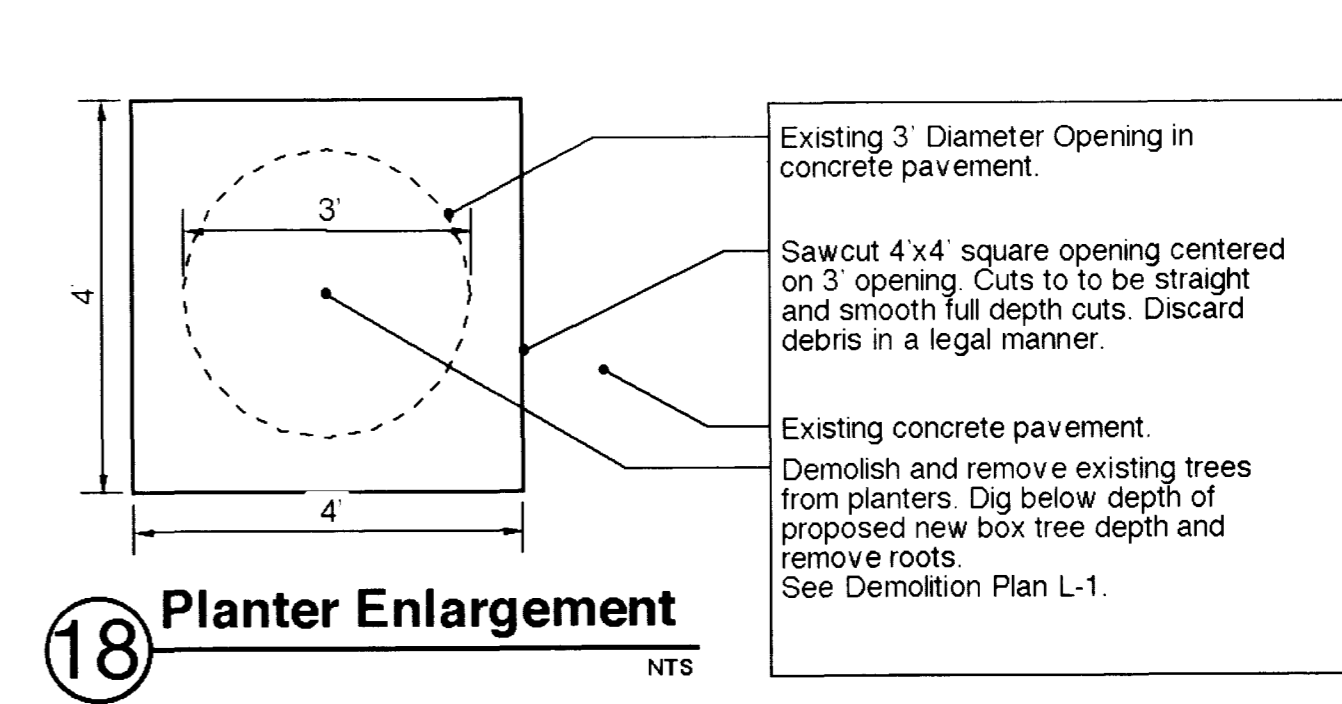
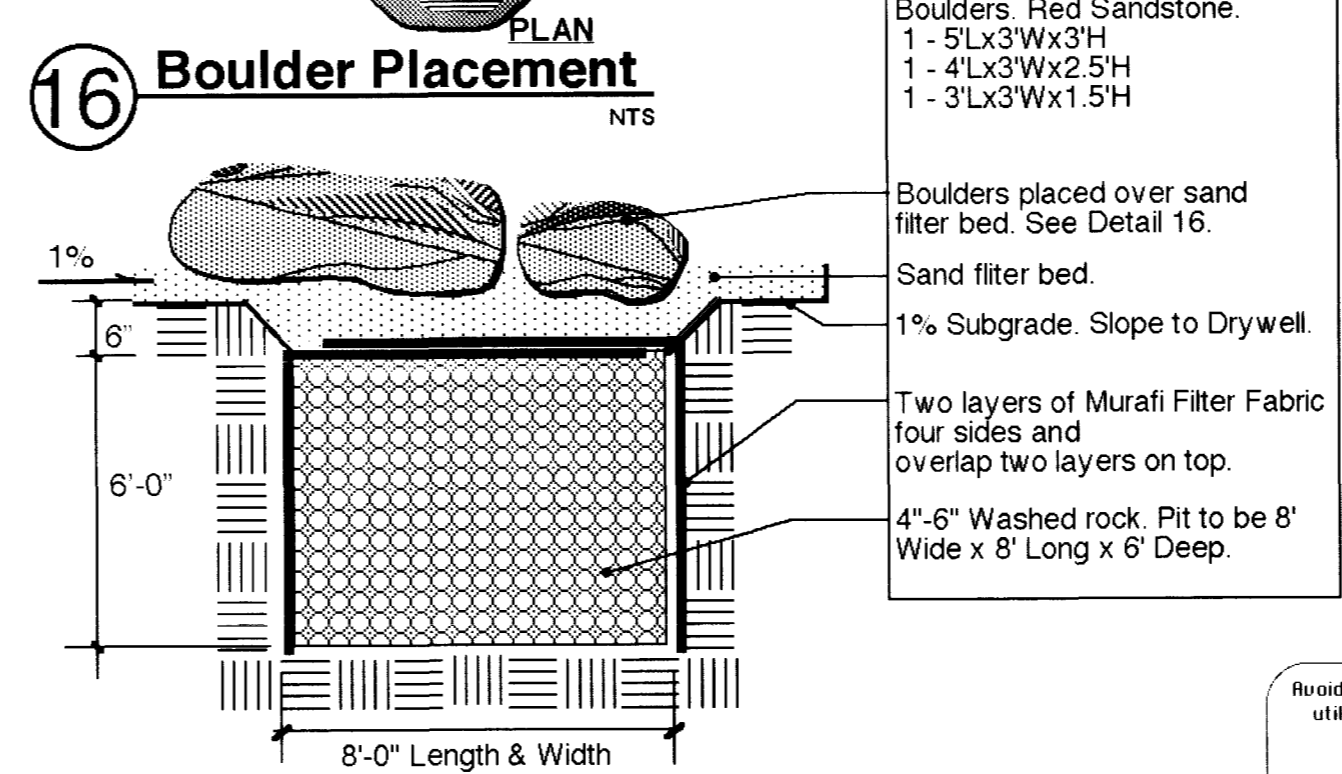
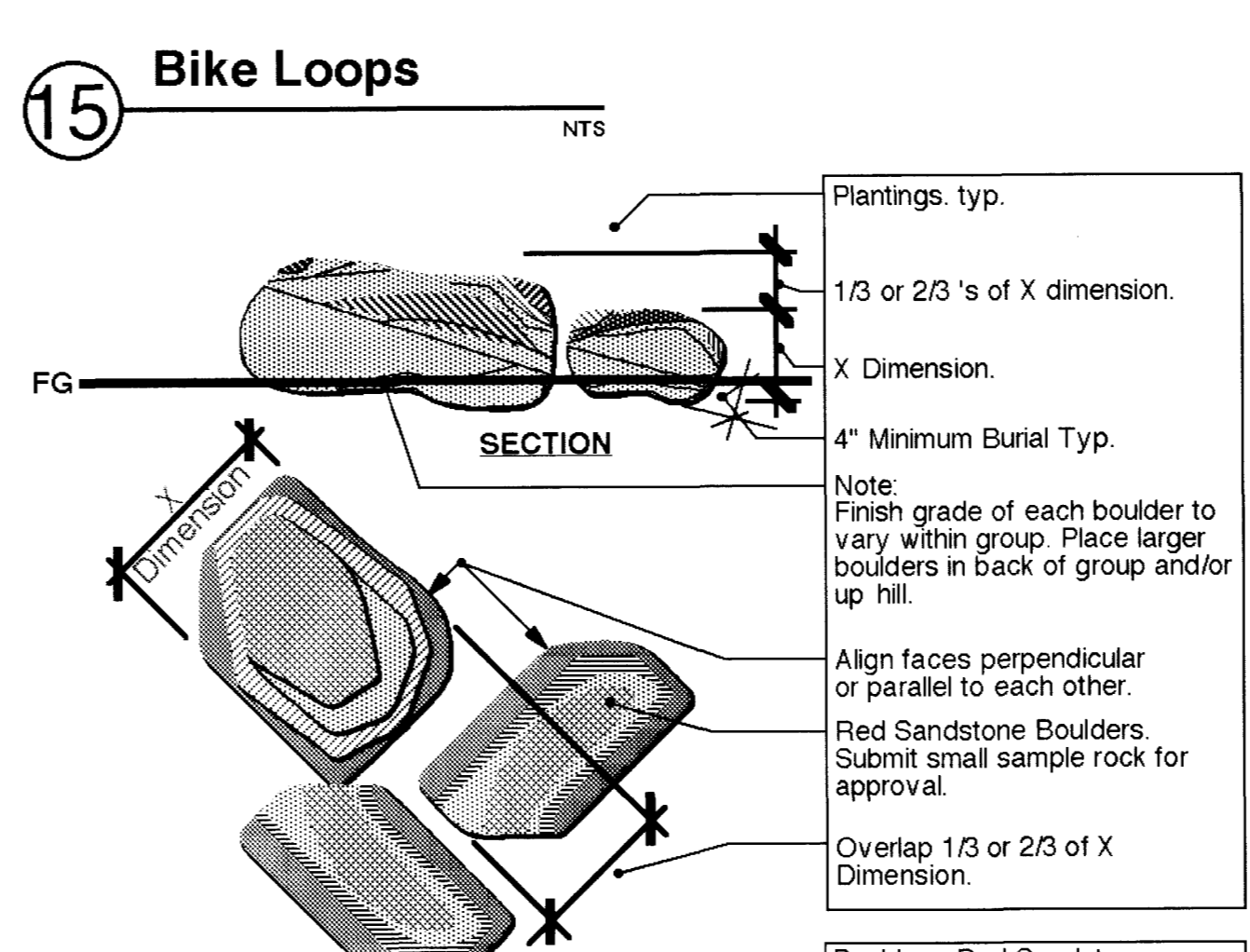
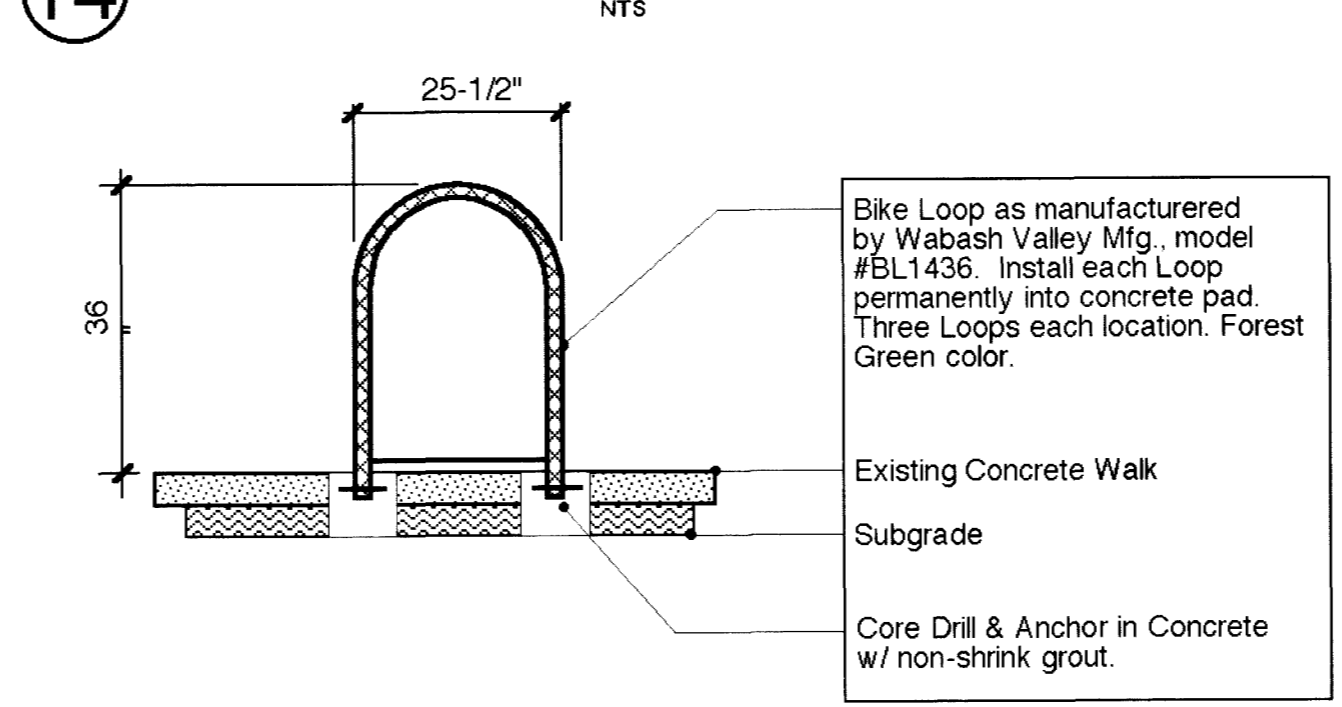
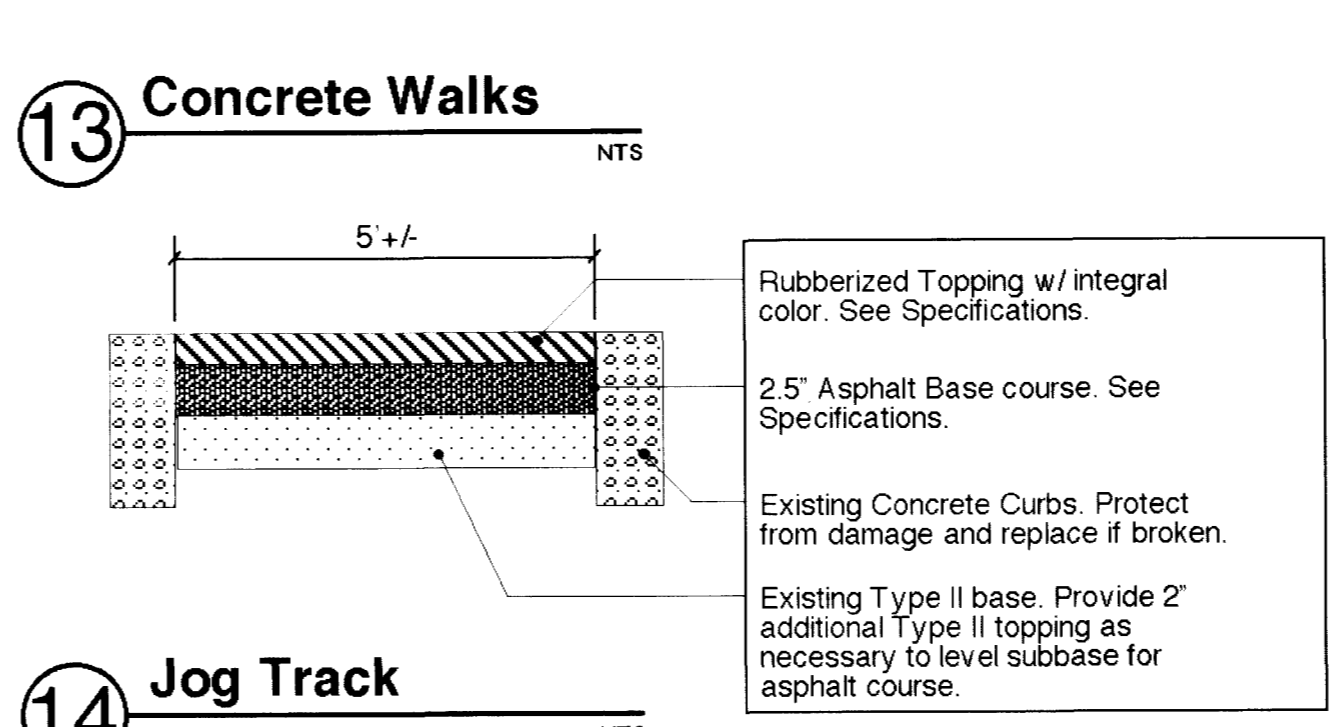
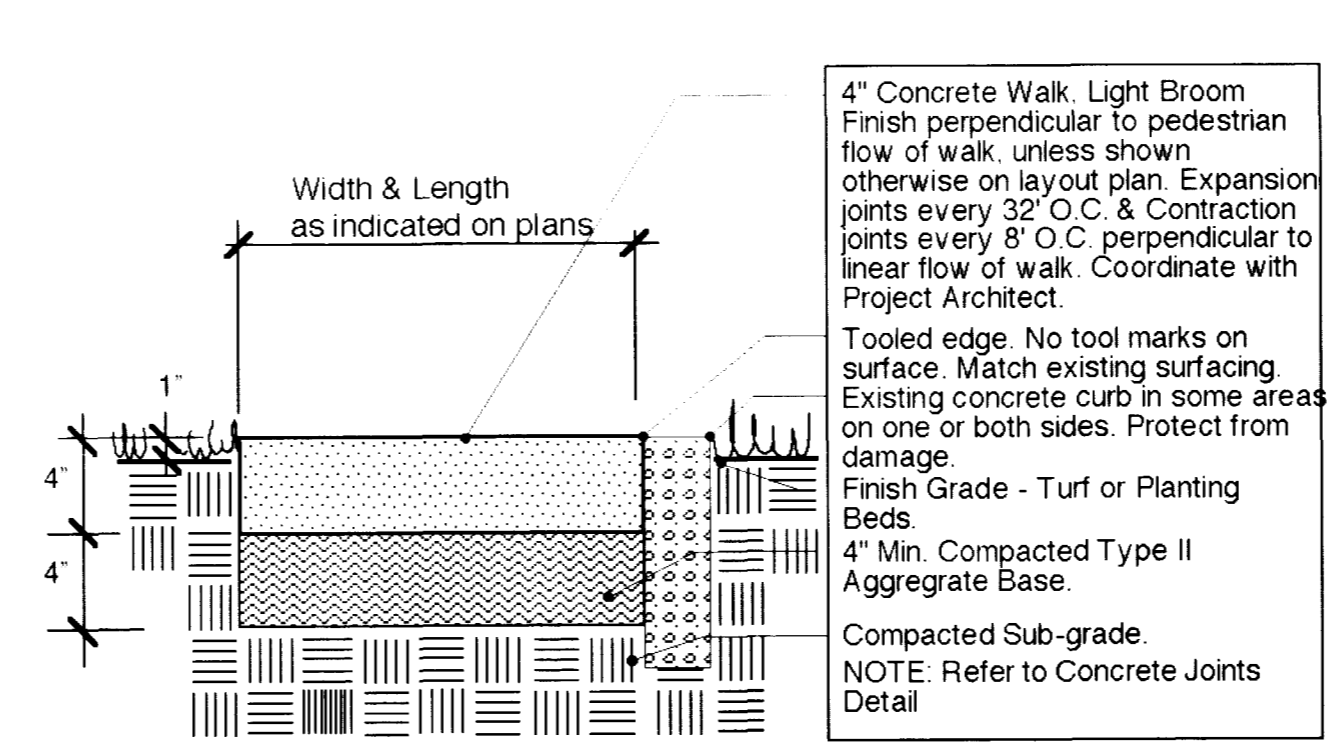
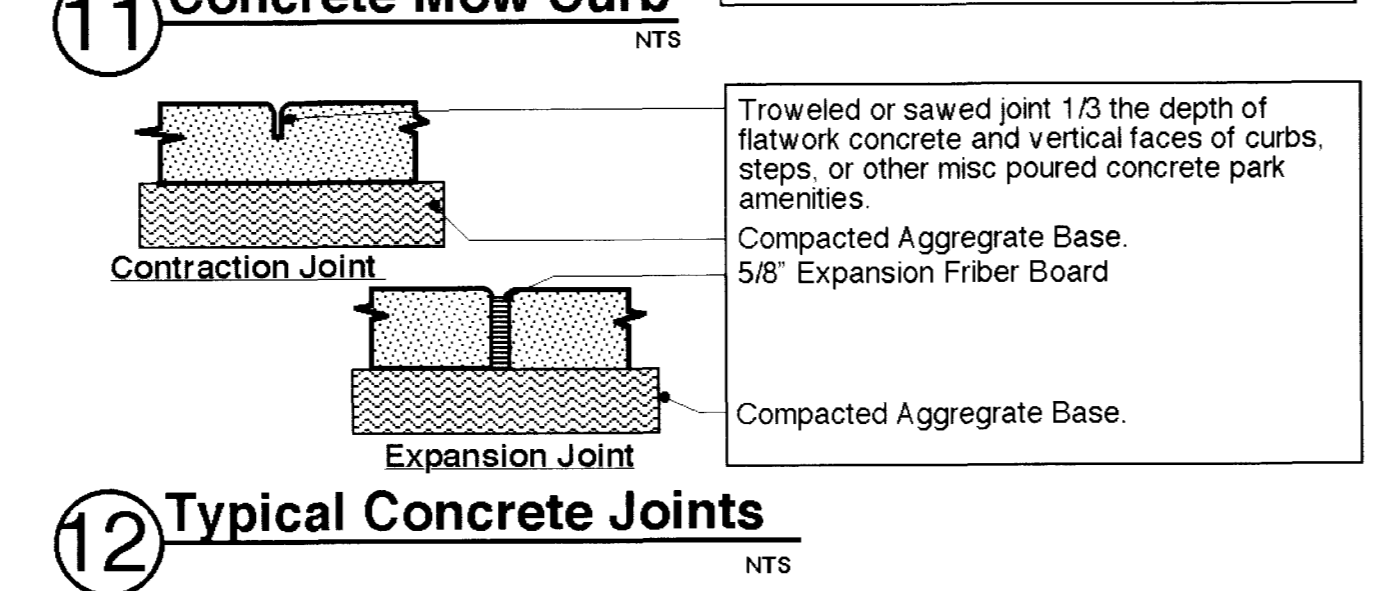
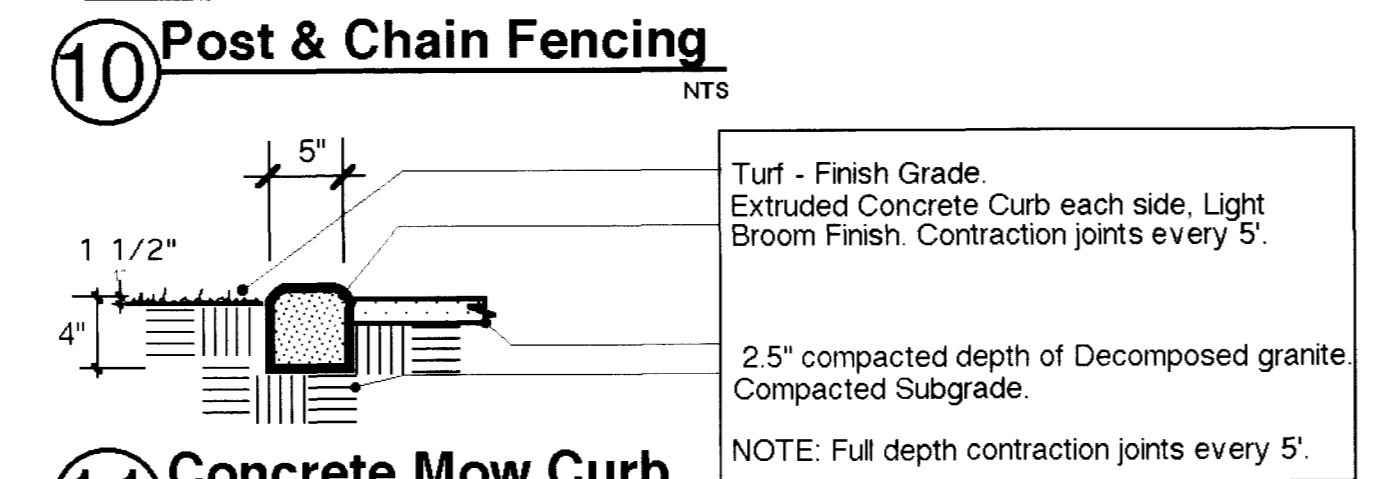
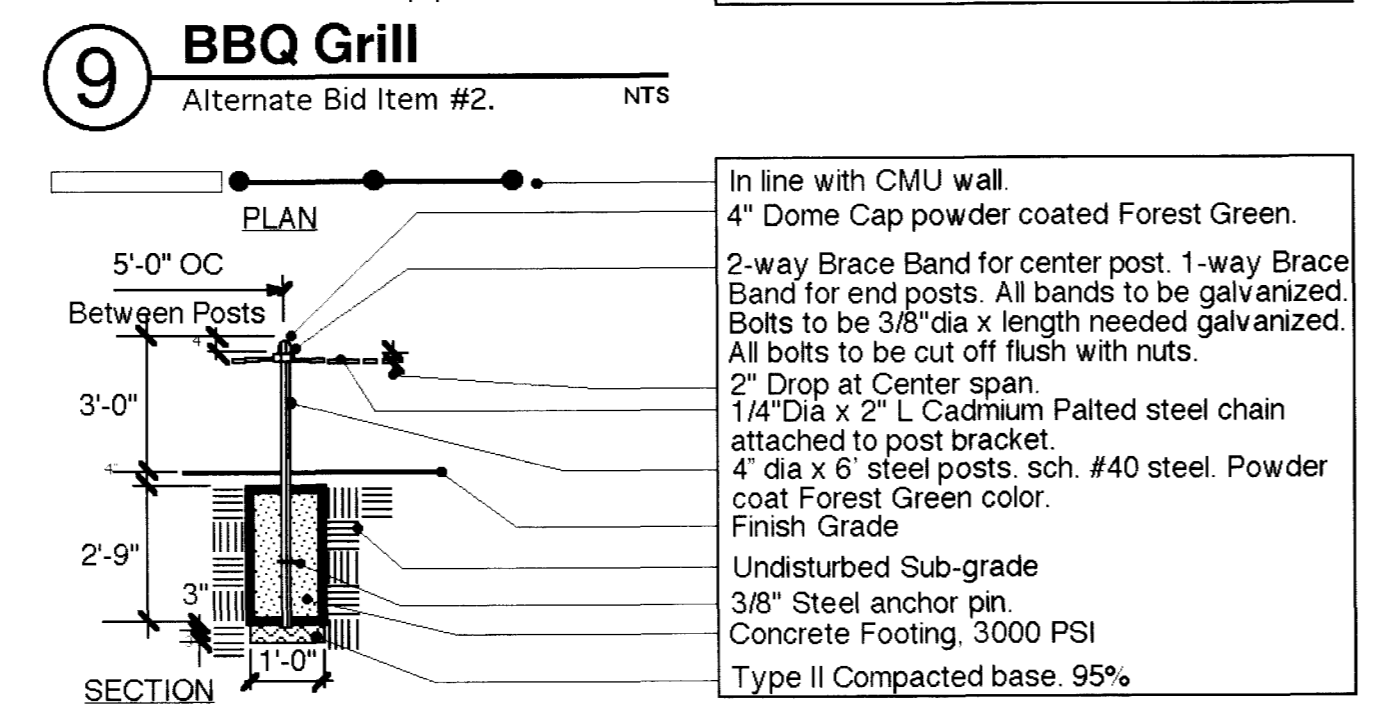
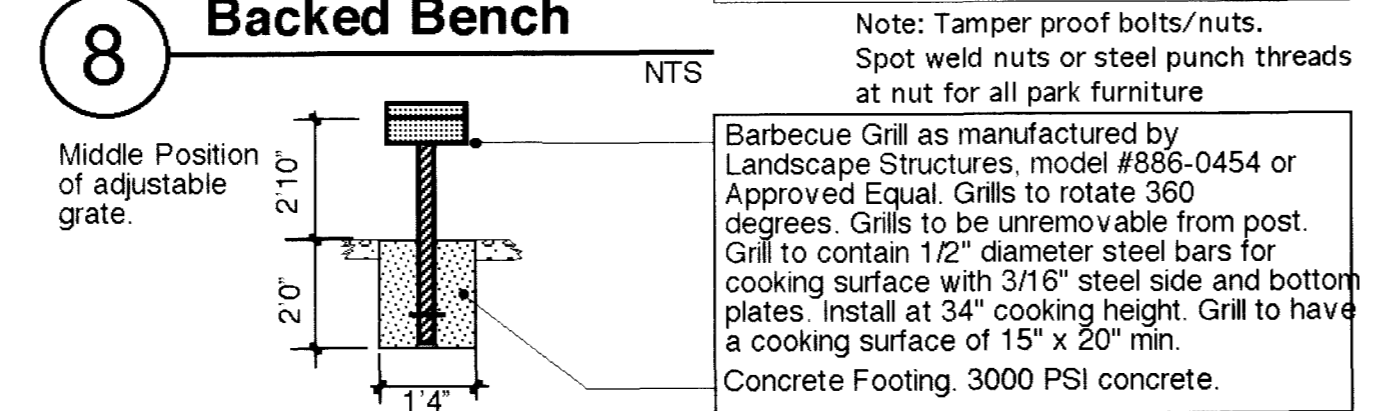
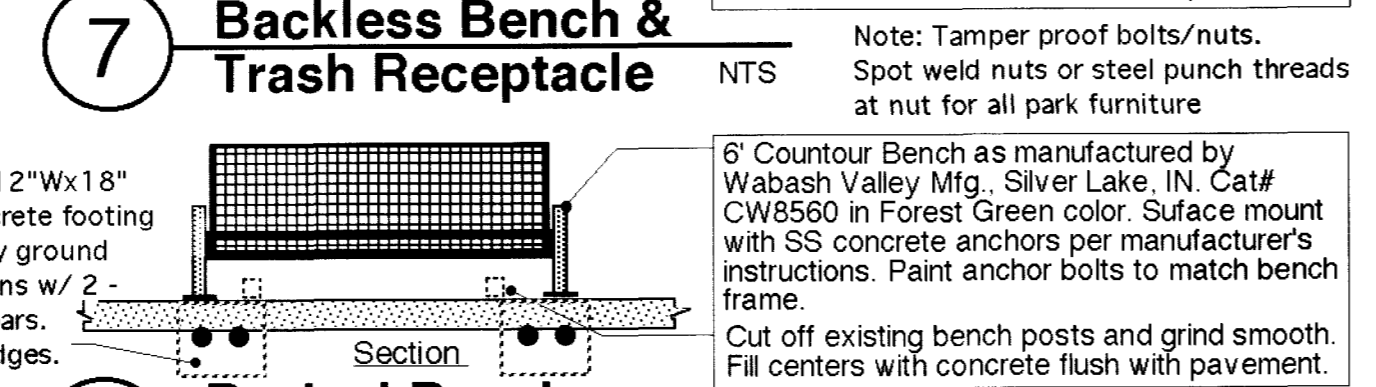
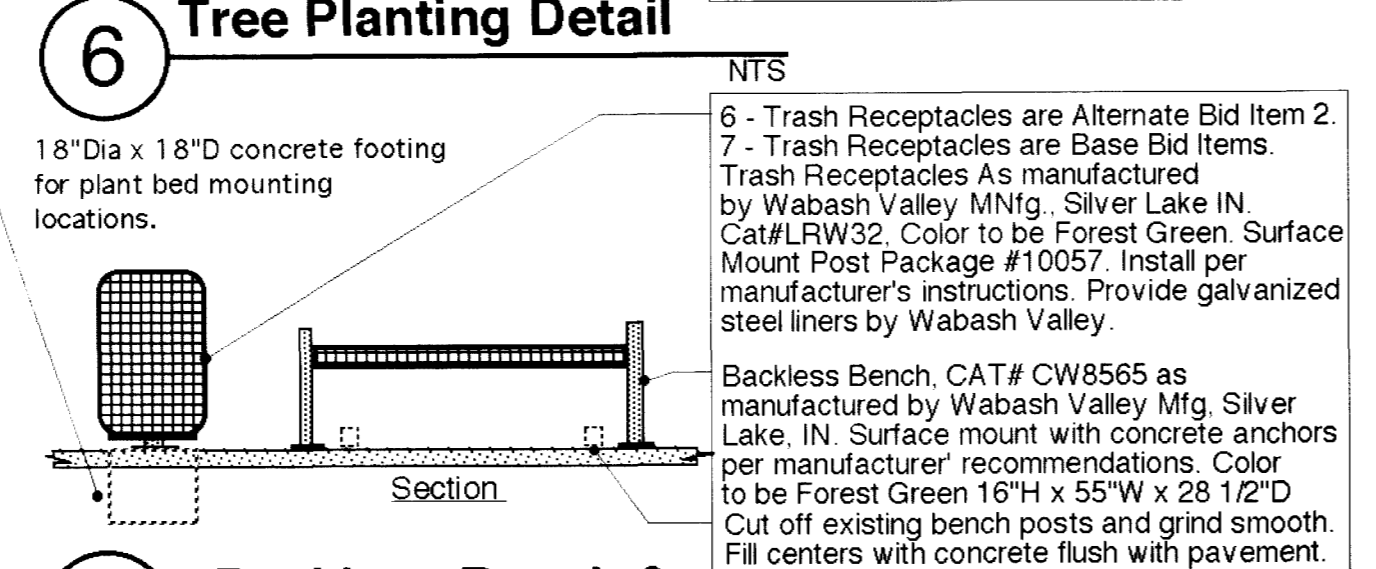
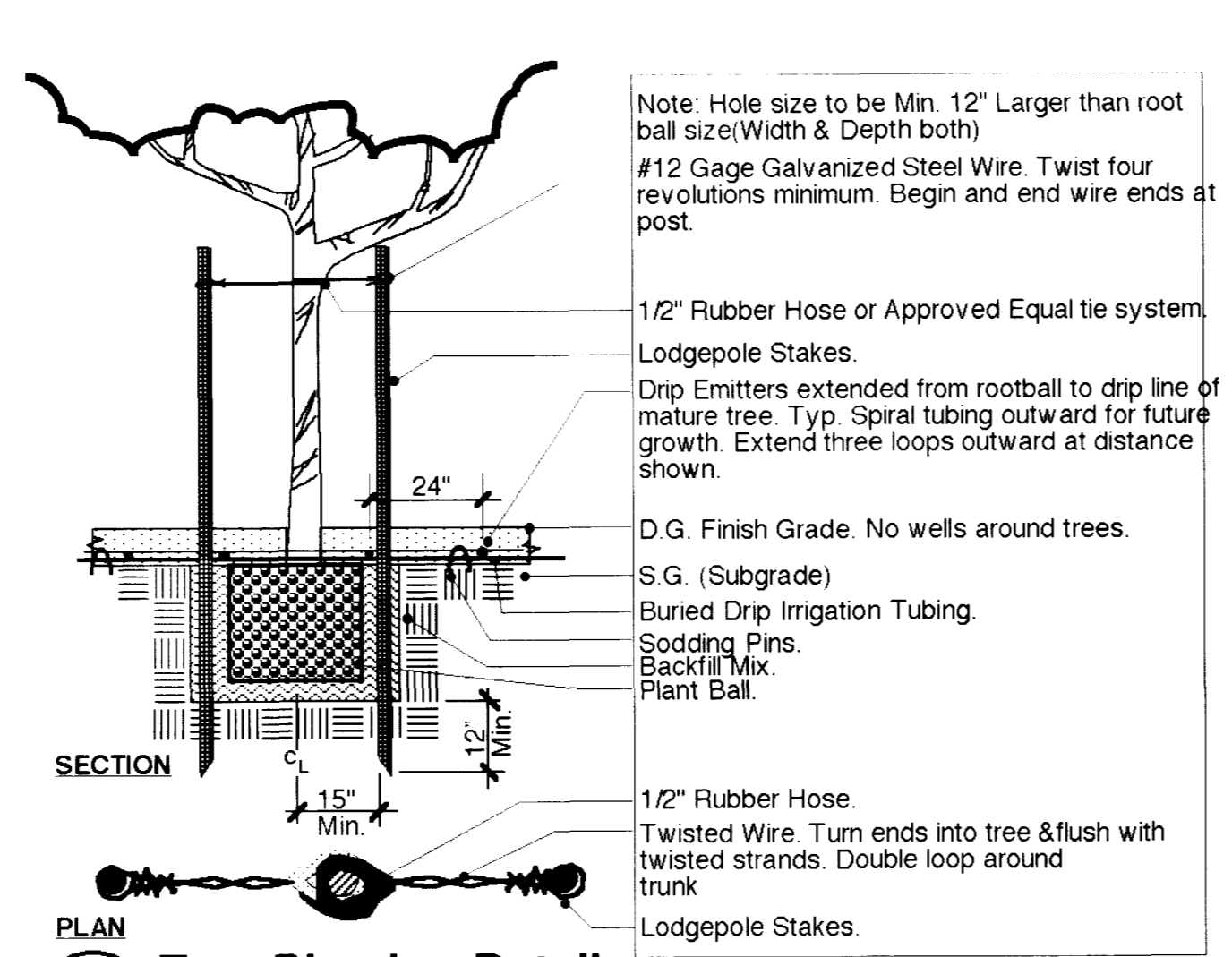
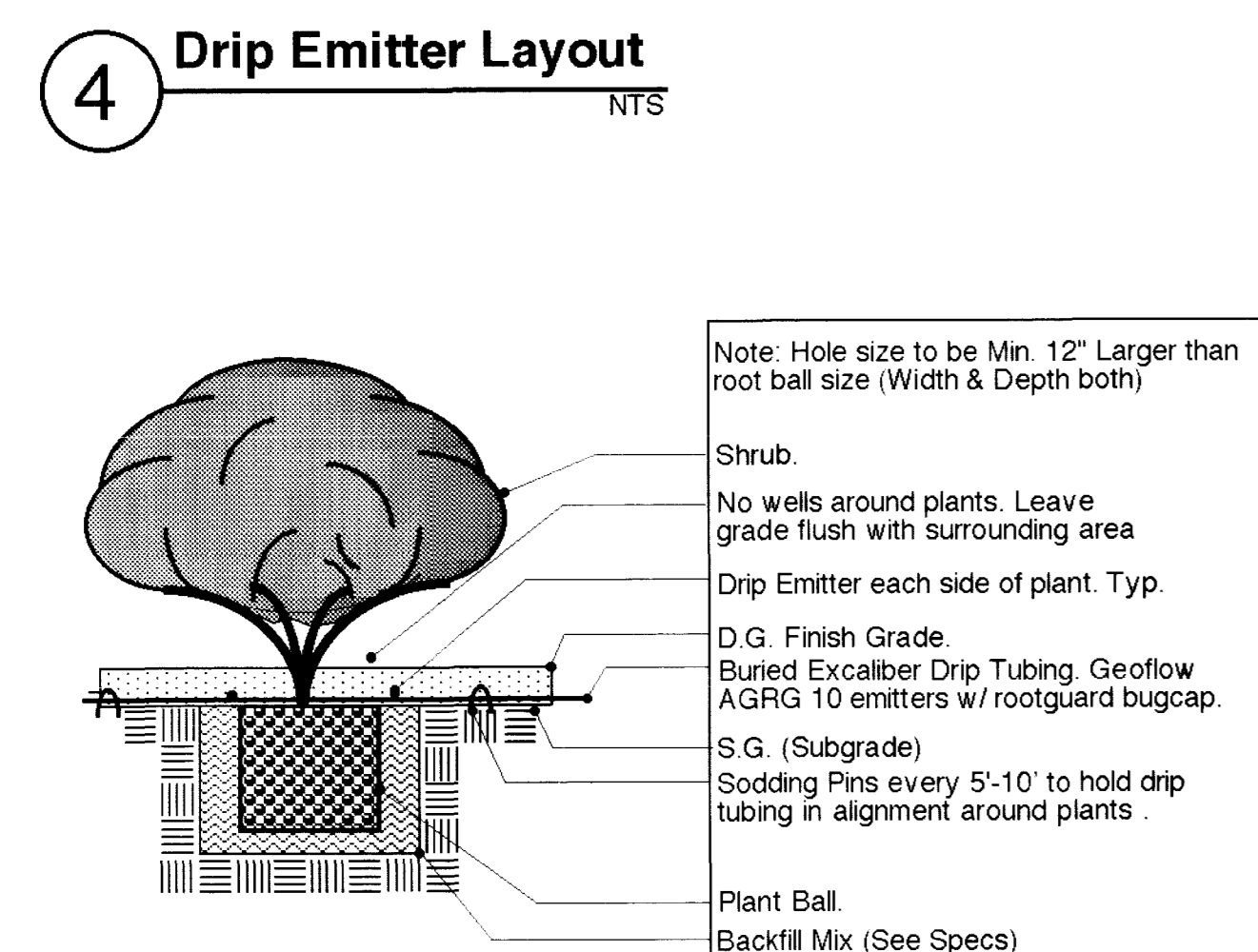


NOTE:
1) Emitters shall be located immediately adjacent to the outside perimeter of the planting ball of all shrubs and trees.
2) Drip Tubing shall be staked at 5'-10' intervals so as to remain flat until soil is placed over it. Use standard sodding pins to stake tubing, or approved equal.
3) Length of runs from PVC Lateral shall not exceed 100 lineal feet or the total flow capacity of the tubing.
4) All emitter tubing and emitters shall be buried 3" below planting bed subgrade (DG shall be spread 2 1/2" over top of subgrade. No emitters shall be located on the surface.
5) Spiral Emitter tubing with uniform emitter spacing around each tree and uniformly cover area of ground from the trunk to the future drip line of the tree. If tree is in shrub bed distribute tubing uniformly to create a grid of water over the entire plant bed.
6) No splicing of tubing for individual runs through plant.



NOTE: The Picnic Shelters are not part of Bldg & Safety Review Process for bidding. The successful bidder to submit the manufacturers' Shop Drawings and Structural Calcs (w/ Nevada Structural Engineers Seal) to Building & Safety for review and approval prior to issuance of a building permit for the shelters.



3313 Coral Harbor Dr.
Las Vegas, NV 89117
(702) 255-7510
fax (702) 254-9538

Sub-consultant
Scale AS Indicated
Date 11/15/95
Initials DAT

Revisions
No. Description Date By

Consultant
EAL DESIGN GROUP

Project
Client
Title
Sheet
L-6 Of 9

650.28-5

