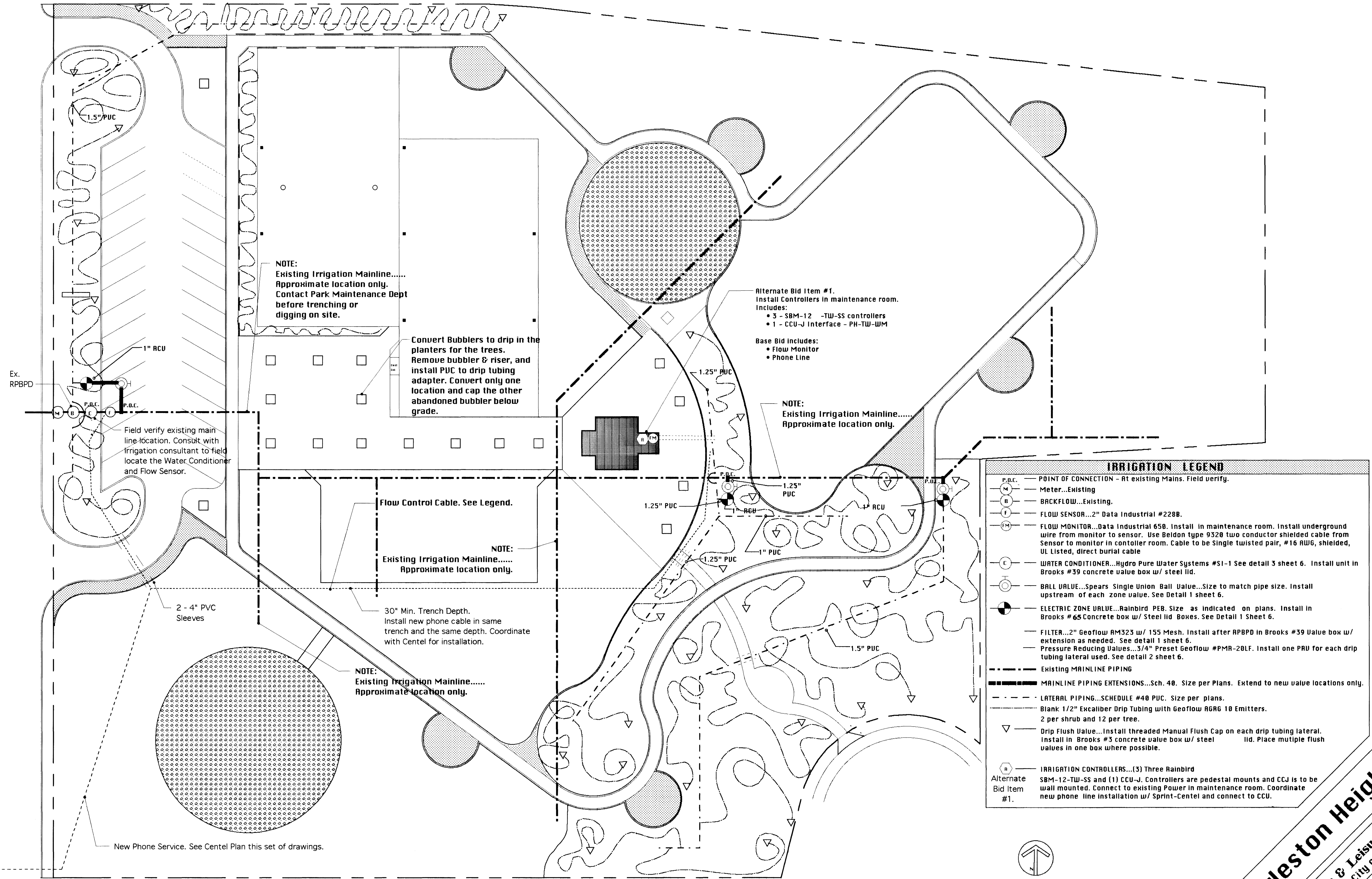


NOTE:

1. This plan illustrates schematic layout of the existing and proposed irrigation. Coordinate digging and trenching with Park maintenance supervisors to minimize disruption to existing system.
2. The drip tubing shown is schematic. Contractor responsible for snaking tubing to all new plants and for calculating his lineal feet of tubing for bidding.

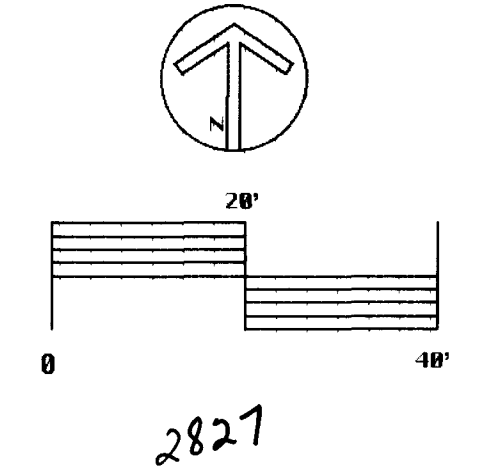


| IRRIGATION LEGEND | |
|-------------------|--|
| | POINT OF CONNECTION - At existing Mains. Field verify. |
| | Meter...Existing |
| | BACKFLOW...Existing. |
| | FLOW SENSOR...2" Data Industrial #228B. |
| | FLOW MONITOR...Data Industrial 650. Install in maintenance room. Install underground wire from monitor to sensor. Use Beldco type 9320 two conductor shielded cable from Sensor to monitor in controller room. Cable to be Single twisted pair, #16 AWG, shielded, UL Listed, direct burial cable. |
| | WATER CONDITIONER...Hydro Pure Water Systems #S1-1 See detail 3 sheet 6. Install unit in Brooks #39 concrete valve box w/ steel lid. |
| | BALL VALVE...Spears Single Union Ball Valve...Size to match pipe size. Install upstream of each zone valve. See Detail 1 sheet 6. |
| | ELECTRIC ZONE VALVE...Rainbird PEB. Size as indicated on plans. Install in Brooks #65 Concrete box w/ Steel lid Boxes. See Detail 1 Sheet 6. |
| | FILTER...2" Geoflow AM323 w/ 155 Mesh. Install after RPBP in Brooks #39 Valve box w/ extension as needed. See detail 1 sheet 6. |
| | Pressure Reducing Valves...3/4" Preset Geoflow #PMR-20LF. Install one PRV for each drip tubing lateral used. See detail 2 sheet 6. |
| | Existing MAINLINE PIPING |
| | MAINLINE PIPING EXTENSIONS...Sch. 40. Size per Plans. Extend to new valve locations only. |
| | LATERAL PIPING...SCHEDULE #40 PUC. Size per plans. |
| | Blank 1/2" Escaliber Drip Tubing with Geoflow AGRG 10 Emitters. 2 per shrub and 12 per tree. |
| | Drip Flush Valve...Install threaded Manual Flush Cap on each drip tubing lateral. Install in Brooks #3 concrete valve box w/ steel lid. Place multiple flush valves in one box where possible. |
| | IRRIGATION CONTROLLERS...(3) Three Rainbird |
| | Alternate Bid Item #1. SBM-12-TW-SS and (1) CCU-J. Controllers are pedestal mounts and CCU is to be wall mounted. Connect to existing Power in maintenance room. Coordinate new phone line installation w/ Sprint-Centel and connect to CCU. |

3313 Coral Harbor Dr.
 Las Vegas, NV 89117
 (702) 255-7510
 FAX (702) 254-9538
LEAL DESIGN GROUP

CONSULTANT
 Sub-consultant
 Scale: 1"=20'
 Date: 11/17/95
 Initials: [Signature]
 Date: [Signature]

Charleston Heights Park
 Parks & Leisure Activities
 City of Las Vegas
 Irrigation Plan
 L-5
 of 9



2827

