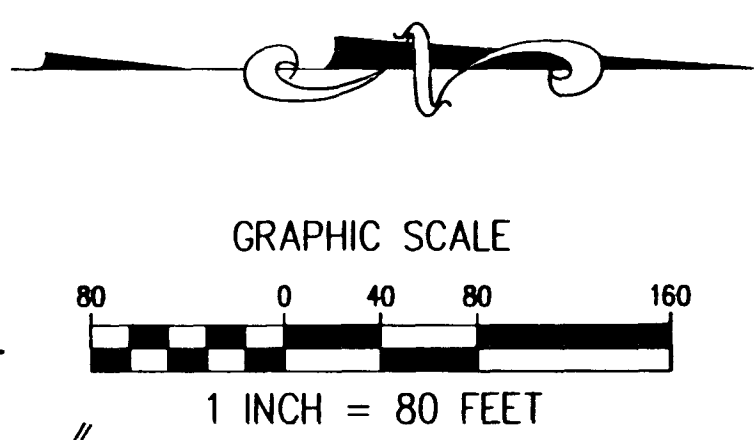
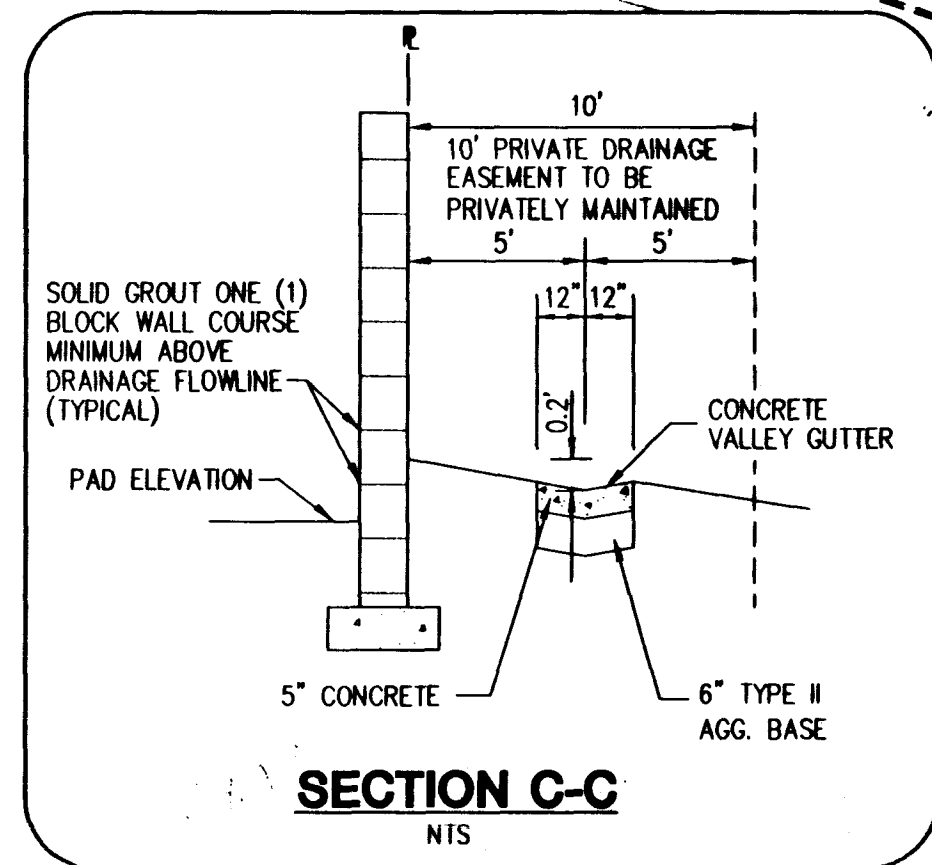
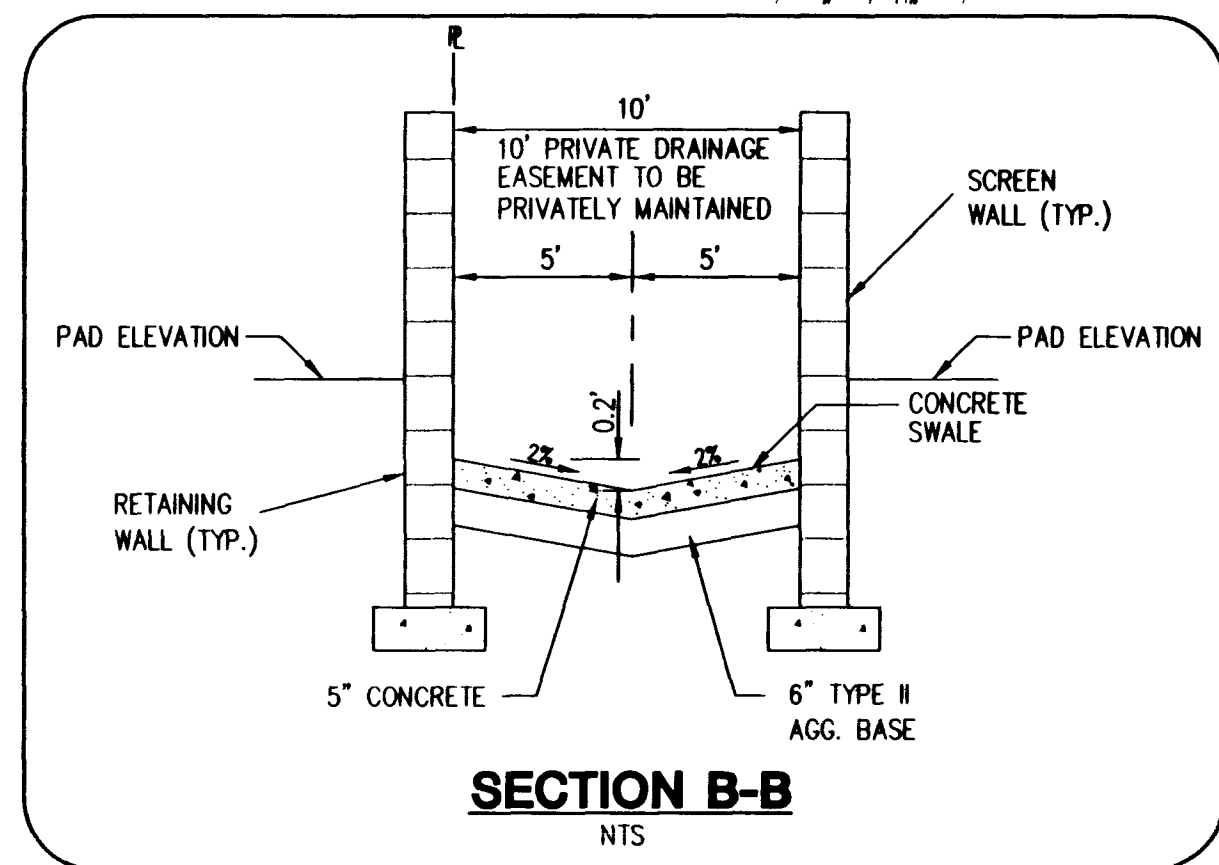
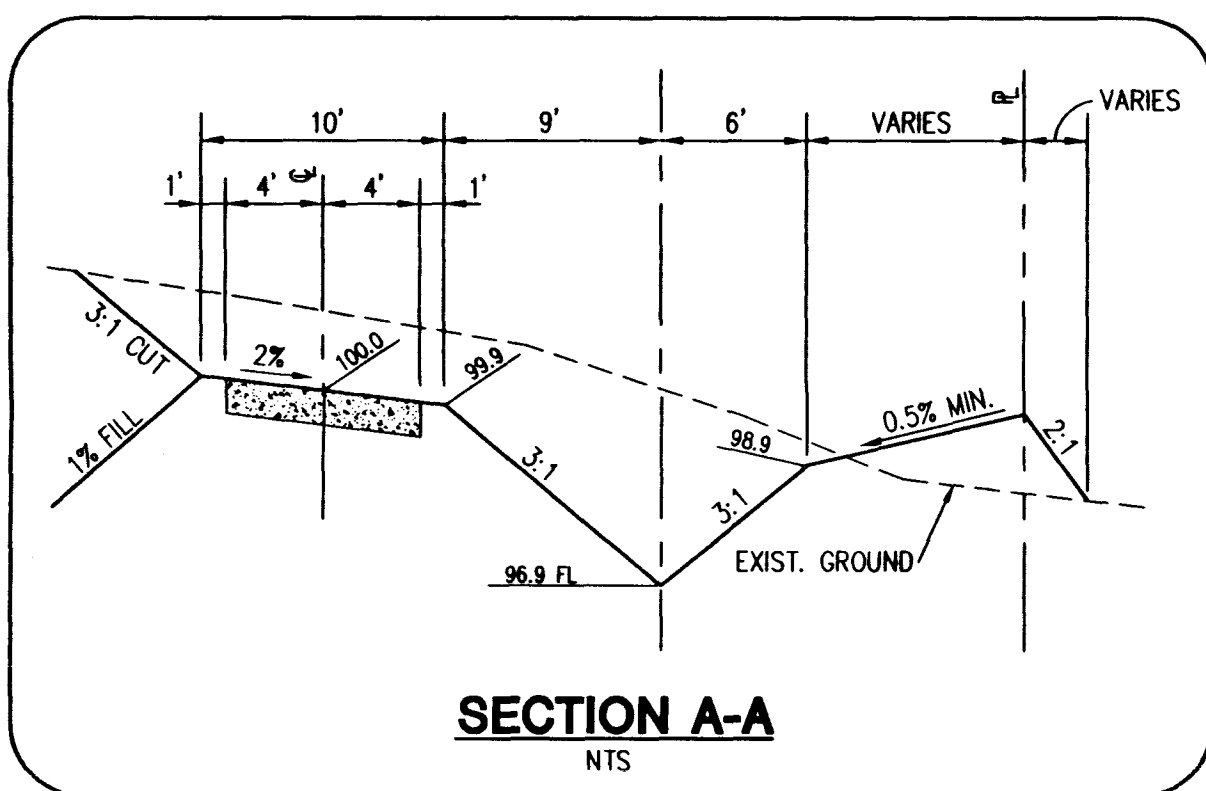


PARK PLAN BY G.C. WALLACE &  
CONSTRUCTED BY SUMMERLIN



**BENCHMARK:**  
CITY OF LAS VEGAS BENCHMARK  
OLV001954 RIVET & PLATE IN TOP OF CURB NW  
SIDE OF TOWN CENTER DRIVE & SOUTH CIRCLE ISLAND  
2728.37 NAVD 1988 DATUM (831.6074 M)

**BASIS OF BEARINGS:**  
NORTH 15°23'46" EAST BEING THE BEARING OF THE  
CENTERLINE OF ANASAZI DRIVE AS SHOWN BY MAP THEREOF  
ON FILE IN BOOK 64, PAGE 67 OF PLATS IN THE CLARK  
COUNTY RECORDER'S OFFICE, CLARK COUNTY, NEVADA.

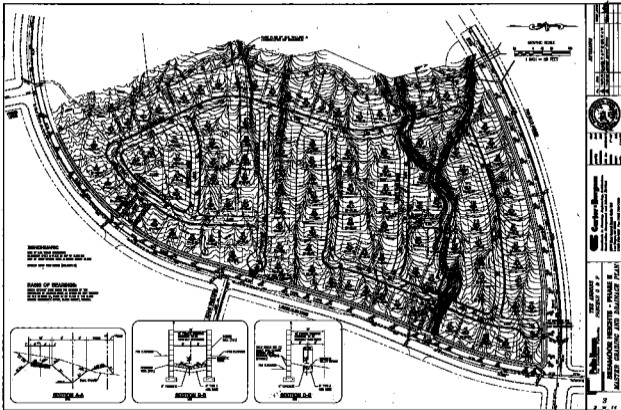


<b>DESIGNED:</b> C&B DRAWN: CHECKED: JOB NO.: FOOTING: VERT. DATE:	<b>REVISITONS</b> <table border="1"> <tr> <th>No.</th> <th>Date</th> <th>Description</th> </tr> <tr> <td>1</td> <td>10/23/96</td> <td>CHANGED FP &amp; FF OF LOTS 57 &amp; 70</td> </tr> <tr> <td>2</td> <td>9-18-97</td> <td>ADDED ENTRY GATES</td> </tr> </table>	No.	Date	Description	1	10/23/96	CHANGED FP & FF OF LOTS 57 & 70	2	9-18-97	ADDED ENTRY GATES
No.	Date	Description								
1	10/23/96	CHANGED FP & FF OF LOTS 57 & 70								
2	9-18-97	ADDED ENTRY GATES								
<b>Carter :: Burgess</b> Consultants in Planning, Engineering, Architecture, Construction Management and Related Services 2905 East Sunset Road, Suite 105 Las Vegas, NV 89120 (702) 798-1007 Fax (702) 798-7056										
<b>THE ARBORS</b> <b>PARCELS 0 &amp; P</b> <b>BREAMOOR HEIGHTS - PHASE II</b> <b>MASTER GRADING AND DRAINAGE PLAN</b>										
PROJECT: <b>Pulte Homes</b> An American Favorite SHEET: <b>3</b> 3 OF 14										

L:\980334\DESIGN\PH2\03.dwg Mon Dec 22 10:19:40 1997 MERA

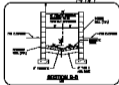
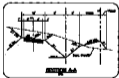
10710

1074-4501-2



**REMARKS:**  
SEE PLAN FOR DETAILS

**BASE OF DRAINAGE:**  
ELEVATION OF THIS PLAN IS BASED ON THE 1985 MEAN SEA LEVEL DATUM



<b>RESERVOIR HEIGHTS - PHASE II</b> <b>MASTER GRADING AND DRAINAGE PLAN</b>	
<b>DATE:</b> 3/21/84	<b>SCALE:</b> 1" = 50'
<b>ENGINEER:</b> Carlton Bergman 1000 N. 10th Street, Suite 100 Minneapolis, MN 55412 Phone: 612-338-1111	
<b>PROJECT NO.:</b> 84-01	
<b>PROJECT LOCATION:</b> Reservoir Heights - Phase II	
<b>PROJECT DESCRIPTION:</b> Master Grading and Drainage Plan	
<b>DATE:</b> 3/21/84	