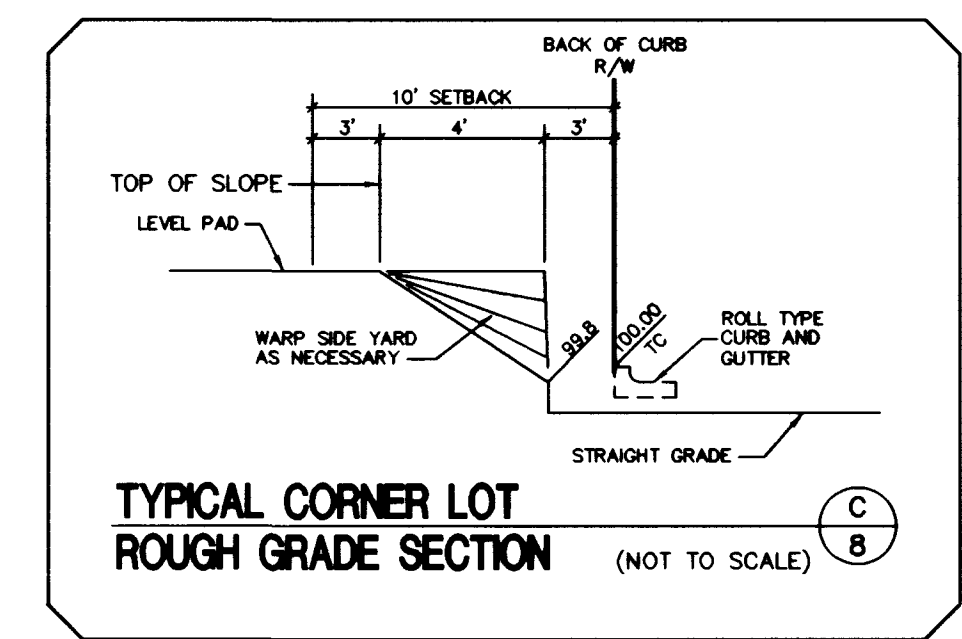
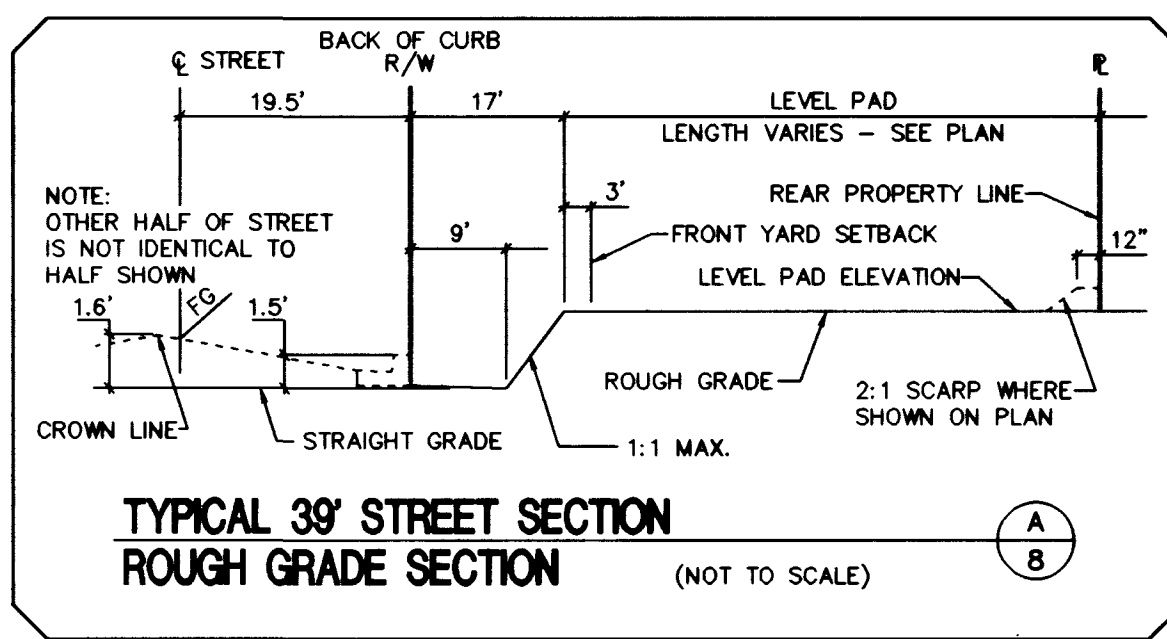
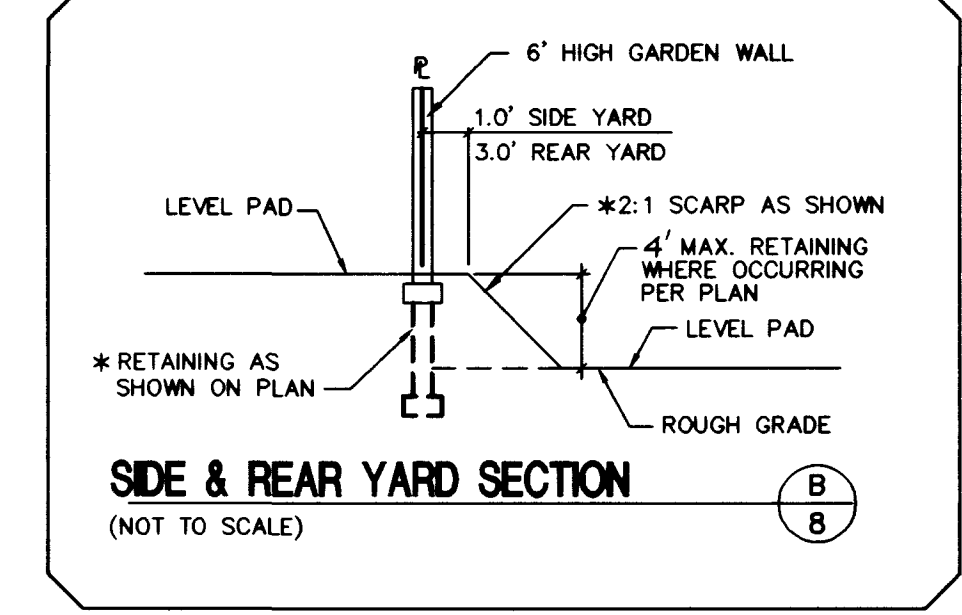
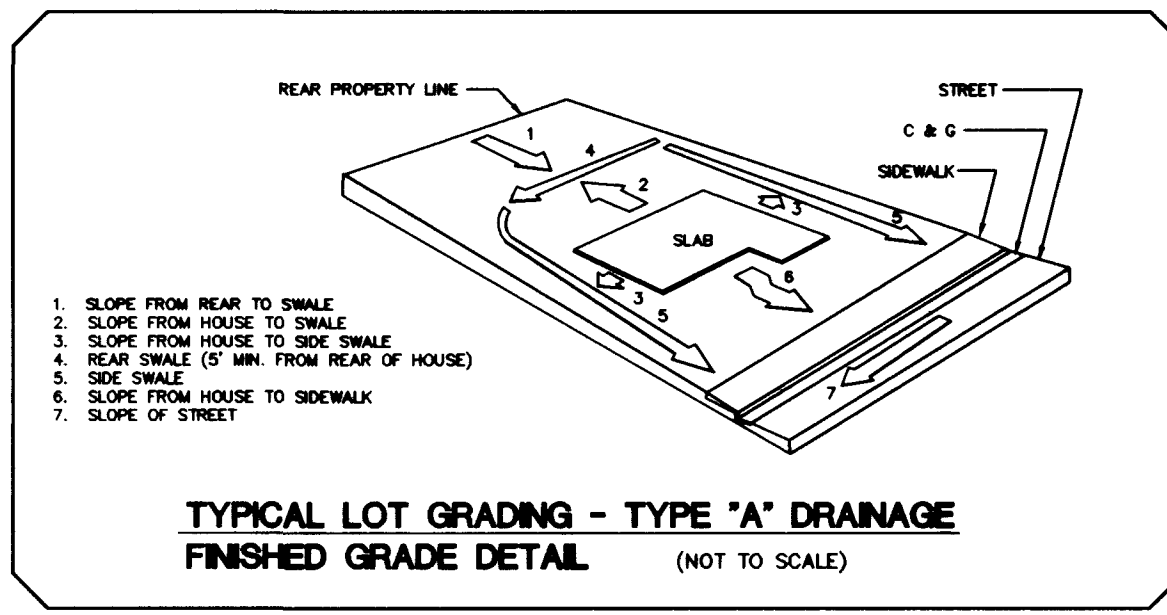
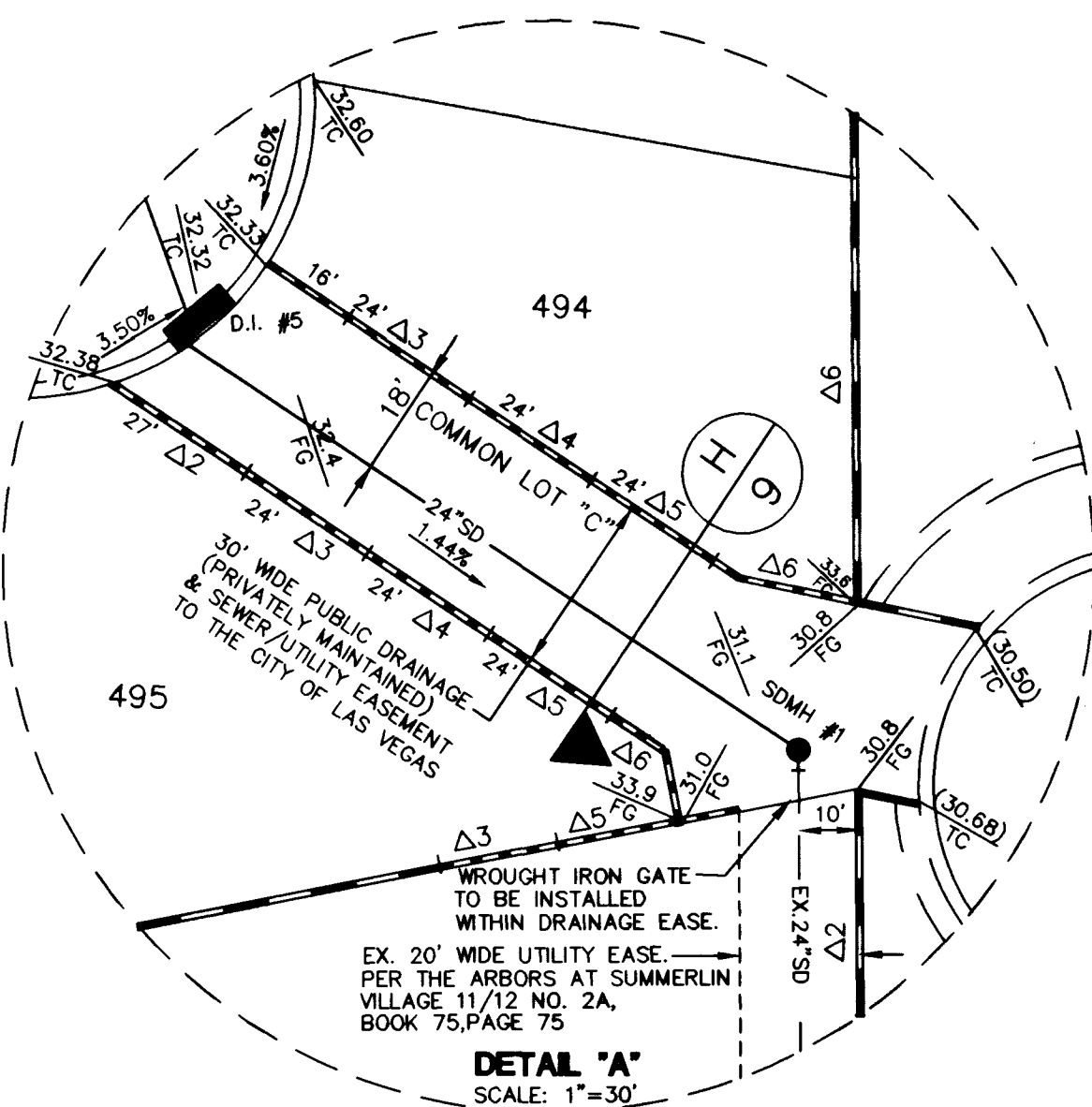
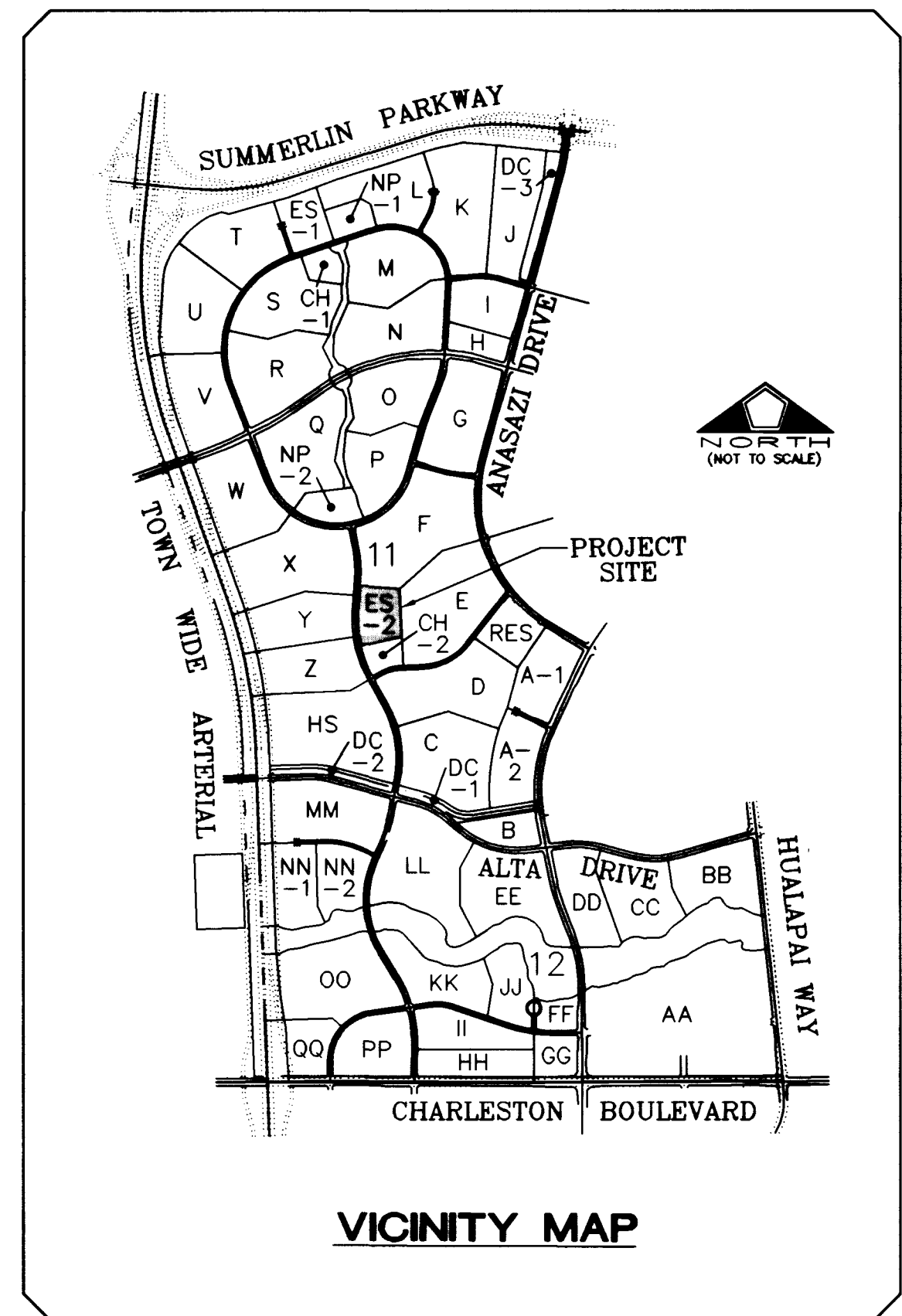


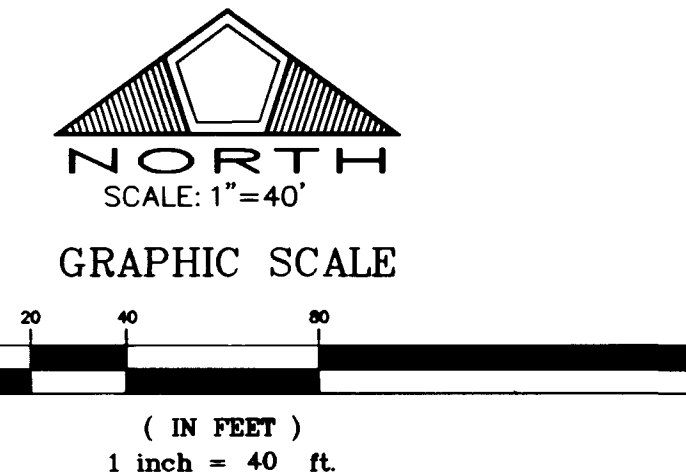
**BASIS OF BEARINGS**  
 NORTH 51°53'13" EAST, BEING THE BEARING BETWEEN G. C. WALLACE CONTROL MONUMENT No. 194 AND G. C. WALLACE CONTROL MONUMENT No. 204 (BRUTUS) SITUATE IN SECTION 25, TOWNSHIP 20 SOUTH, RANGE 59 EAST, M.D.M., CITY OF LAS VEGAS, CLARK COUNTY, NEVADA, AS SHOWN ON THAT CERTAIN MAP ON FILE IN THE OFFICE OF THE CLARK COUNTY RECORDER IN FILE 85 OF SURVEYS, AT PAGE 17.

**BENCH MARK**  
 G. C. WALLACE CONTROL MONUMENT No. 204 (BRUTUS) A 2" BRASS CAP IN CONCRETE STAMPED "BRUTUS" PER FILE 85 OF SURVEYS, AT PAGE 17. ELEVATION=3000.64 (SUMMERLIN DATUM). TO OBTAIN NAVD 88 DATUM FROM SUMMERLIN DATUM ADD 2.2' PER FILE 85, PAGE 17 OF SURVEYS.  
 EQUATION = 915.267 METERS (COMPUTED NAVD 88)  
 EQUATION = 3002.84 FEET (COMPUTED NAVD 88)



I CERTIFY THAT THIS GRADING PLAN IS IN CONFORMANCE WITH THE APPROVED DRAINAGE STUDY ON FILE AT THE CITY OF LAS VEGAS FOR THIS PROJECT.

*Kelly J. Winver* 5/10/97  
 KELLY J. WINVER, P.E. DATE  
 R.E. #10625



LEGEND	
	COURSES OF 8" CMU NUMBER OF COURSES
	FLOW LINE
	FINISHED GRADE
	FINISHED GRADE/TOP OF BERM
	TOP OF CURB
	SWALE
	GRADE BREAK
	2:1 SCARP
	BUILDING SETBACK
	TOP OF SLOPE, FRONT AND SIDE YARD
	FUTURE IMPROVEMENTS
	EXISTING IMPROVEMENTS
	RETAINING WALL
	EDGE OF EXISTING ASPHALT
	SUBDIVISION BOUNDARY
	6" LIP DRIVEWAY
	BLOCK NUMBER
	LOT NUMBER
	PROPOSED FINISH FLOOR
	PROPOSED PAD ELEVATION
	FUTURE PAD ELEVATION
	EXISTING PAD ELEVATION
	EXISTING CONTOUR 5
	EXISTING CONTOUR 1
	EXISTING ELEVATION
	PROPOSED ELEVATION
	FUTURE ELEVATION
	HIGH POINT OF SWALE
	STREET CENTERLINE

DATE: 05/02/97  
 DRAWN BY: JAS  
 DESIGNED BY: JAS  
 CHECKED BY: JAS  
 JOB NO.: 00001186  
 SCALE: 1" = 40'

**PENTACORE**  
 CIVIL ENGINEERING • LAND SURVEYING • PLANNING  
 CONSTRUCTION MANAGEMENT • ADA CONSULTING  
 6763 WEST CHARLESTON BOULEVARD  
 LAS VEGAS, NEVADA 89102 (702)258-0115

LEWIS HOMES OF NEVADA  
 CHARDONNAY No. 41

**GRADING PLAN**

SHEET 8 OF 9  
 1074-4512-41

