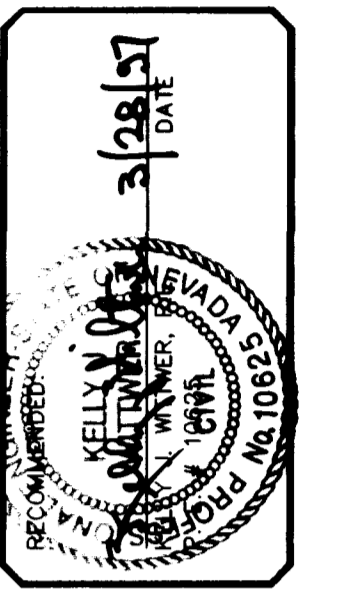


I CERTIFY THAT THIS GRADING PLAN IS IN CONFORMANCE WITH THE APPROVED DRAINAGE STUDY ON FILE AT THE CITY OF LAS VEGAS FOR THIS PROJECT.

*Kelly J. Walker* 3/28/97  
 KELLY J. WALKER, P.E. DATE  
 R.E. #10625

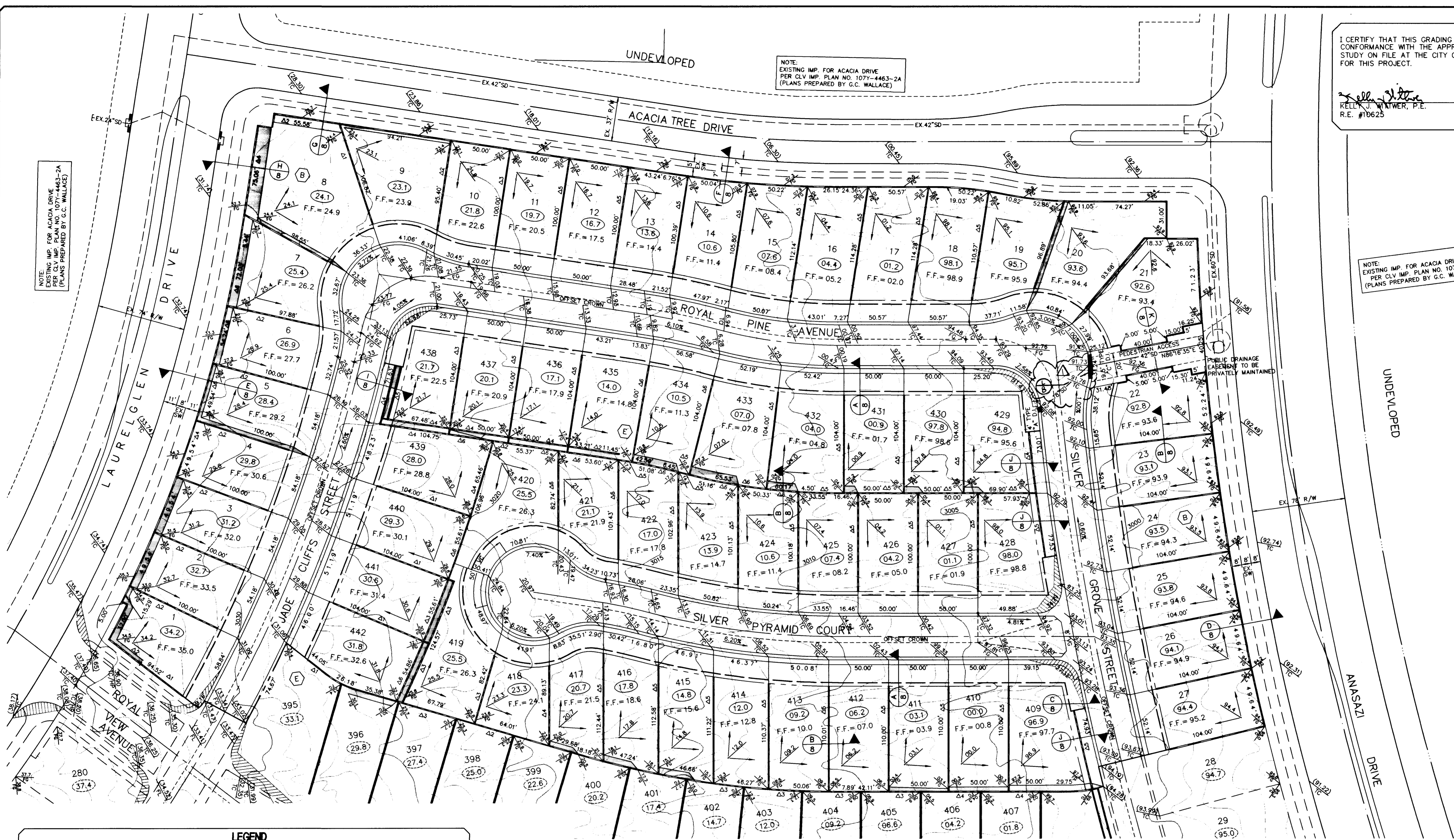
NO.	DESCRIPTION	DATE
1	APP. DETAIL CALLOUT	7/2/97



DATE: 02/12/97  
 DRAWN BY: KAS  
 DESIGNED BY: KAS  
 CHECKED BY: KAS  
 JOB NO.: 0030.142  
 SCALE: 1" = 40'

**PENTACORE**  
 CIVIL ENGINEERING, LAND SURVEYING, PLANNING  
 CONSTRUCTION MANAGEMENT, ADA CONSULTING  
 6763 WEST CHARLESTON BOULEVARD  
 LAS VEGAS, NEVADA 89102 (702)258-0115

LEWIS HOMES OF NEVADA  
 CHARDONNAY No. 62  
**GRADING PLAN AND NOTES**

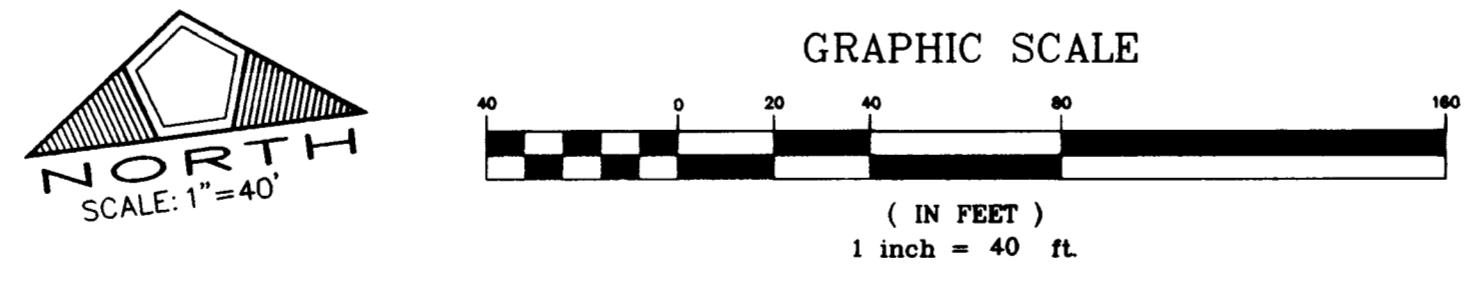


NOTE: EXISTING IMP. FOR ACACIA DRIVE PER CLV IMP. PLAN NO. 1077-4463-2A (PLANS PREPARED BY G.C. WALLACE)

NOTE: EXISTING IMP. FOR ACACIA DRIVE PER CLV IMP. PLAN NO. 1077-4463-2A (PLANS PREPARED BY G.C. WALLACE)

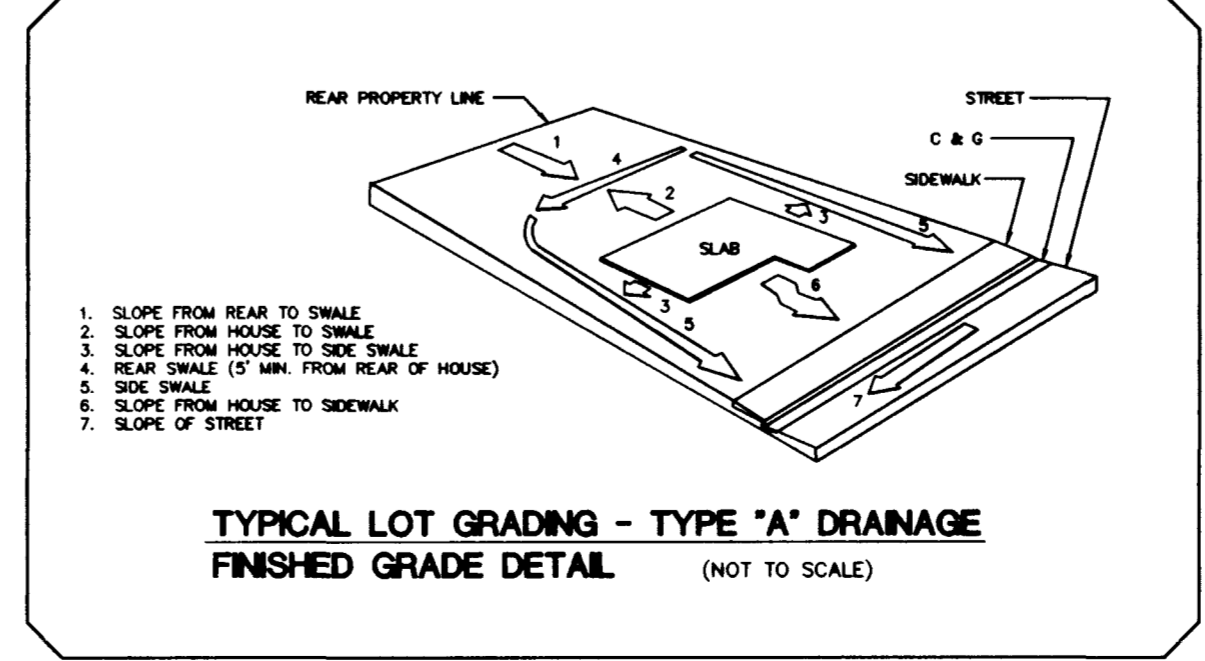
NOTE: EXISTING IMP. FOR ACACIA DRIVE PER CLV IMP. PLAN NO. 107-1 (PLANS PREPARED BY G.C. WALLACE)

LEGEND	
	RETAINING WALL HEIGHT
	FLOW LINE
	FINISHED GRADE
	FINISHED GRADE/TOP OF BERM
	TOP OF CURB
	SWALE
	GRADE BREAK
	2:1 SCARP
	BUILDING SETBACK
	TOP OF SLOPE, FRONT AND SIDE YARD
	FUTURE IMPROVEMENTS
	EXISTING IMPROVEMENTS
	RETAINING WALL
	GARDEN WALL
	EDGE OF EXISTING ASPHALT
	SUBDIVISION BOUNDARY
	BLOCK NUMBER
	LOT NUMBER
	PROPOSED FINISH FLOOR
	PROPOSED PAD ELEVATION
	FUTURE PAD ELEVATION
	EXISTING PAD ELEVATION
	EXISTING CONTOUR 5
	EXISTING CONTOUR 1
	EXISTING ELEVATION
	PROPOSED ELEVATION
	FUTURE ELEVATION
	HIGH POINT OF SWALE
	STREET CENTERLINE
	COURSES OF 8" CMU
	NUMBER OF COURSES



**GRADING NOTES**

- ALL PROPOSED PAD ELEVATIONS AND SWALE ELEVATIONS ARE ROUGH GRADES. ALL OTHER PROPOSED ELEVATIONS ARE FINISHED GRADES.
- THE GRADING PLANS SHALL BE AT THE PROJECT SITE THROUGHOUT THE COURSE OF CONSTRUCTION.
- ALL GRADING SHALL BE PERFORMED IN CONFORMANCE WITH THE LINES, GRADES AND DETAILS AS SHOWN ON THESE PLANS. ANY DEVIATION FROM THESE PLANS WILL ONLY BE PERMITTED UPON WRITTEN APPROVAL FROM THE ENGINEER.
- ALL PADS ARE TO BE GRADED WITHIN 0.1' OF THE ELEVATIONS AS SHOWN ON THE PLANS. GRADING IS NOT COMPLETE UNTIL THE ENGINEER HAS CERTIFIED THAT THE PADS HAVE BEEN GRADED IN SUBSTANTIAL CONFORMANCE TO THE PLANS.



**BASIS OF BEARINGS**

NORTH 51°53'13" EAST, BEING THE BEARING BETWEEN G. C. WALLACE CONTROL MONUMENT No. 194 AND G. C. WALLACE CONTROL MONUMENT No. 204 (BRUTUS) SITUATE IN SECTION 25, TOWNSHIP 20 SOUTH, RANGE 59 EAST, M.D.M., CITY OF LAS VEGAS, CLARK COUNTY, NEVADA, AS SHOWN ON THAT CERTAIN MAP ON FILE IN THE OFFICE OF THE CLARK COUNTY RECORDER IN FILE 85 OF SURVEYS, AT PAGE 17.

**BENCH MARK**

G. C. WALLACE CONTROL MONUMENT No. 204 (BRUTUS)  
 A 2" BRASS CAP IN CONCRETE STAMPED "BRUTUS" PER FILE 85 OF SURVEYS, AT PAGE 17. ELEVATION = 3000.64 (SUMMERLIN DATUM)

