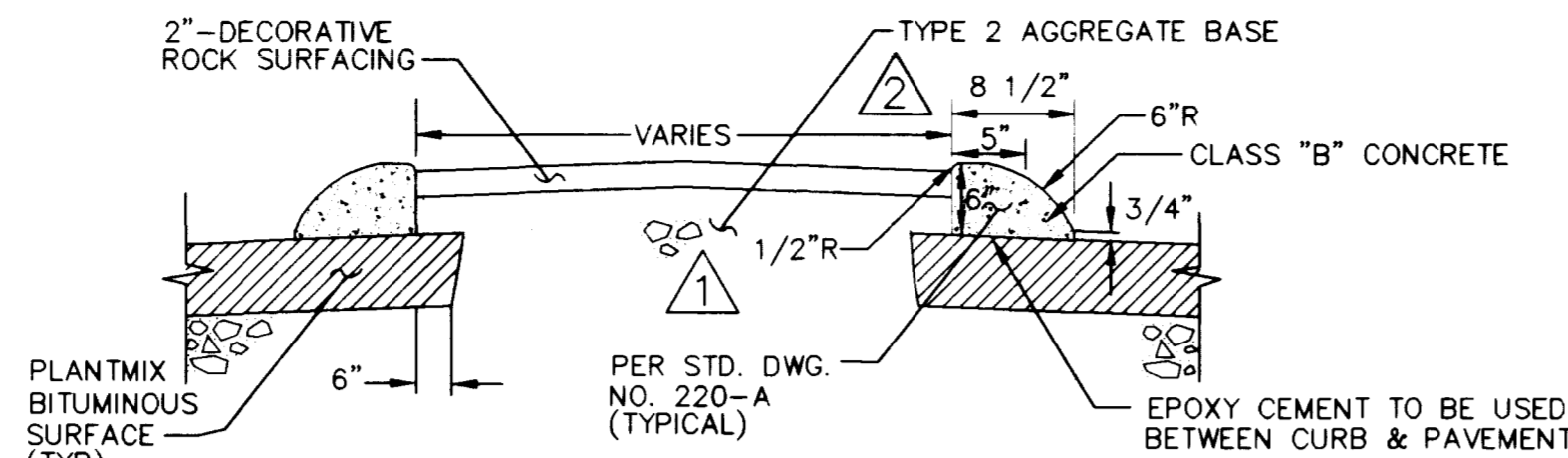
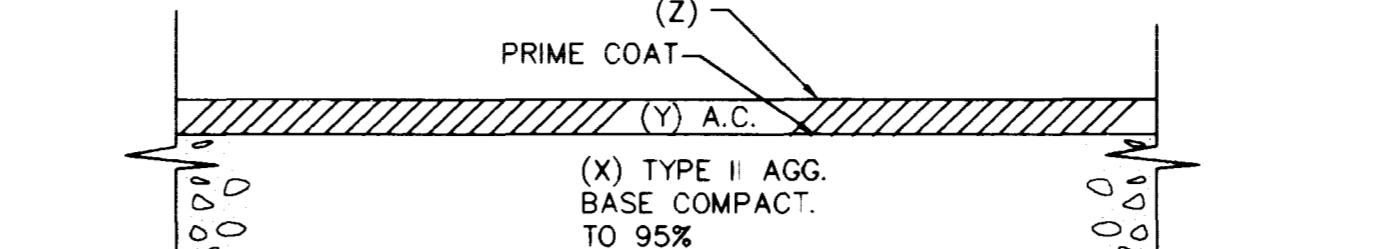


DOTTED LANE LINE
NTS (G)



- NOTES:
 1. INSTALL EXPANSION JOINT IN CONCRETE CURB PER DWG #220-A INTERVALS AND AT PC'S AND PT'S. SEE USD # 234 FOR EXPANSION AND WEAKEN PLANE JOINT LAYOUTS.
 2. INSTALL WEAKENED PLANE JOINT IN CONCRETE CURB AT 10' MAX INTERVALS.
 3. CONST. 1/2" RADIUS ROUNDED EDGES ON ALL EXPOSED CONCRETE CORNERS.
 4. 2" DECORATIVE ROCK SURFACING SHALL BE 1/2" BELOW THE TOP OF CURB.

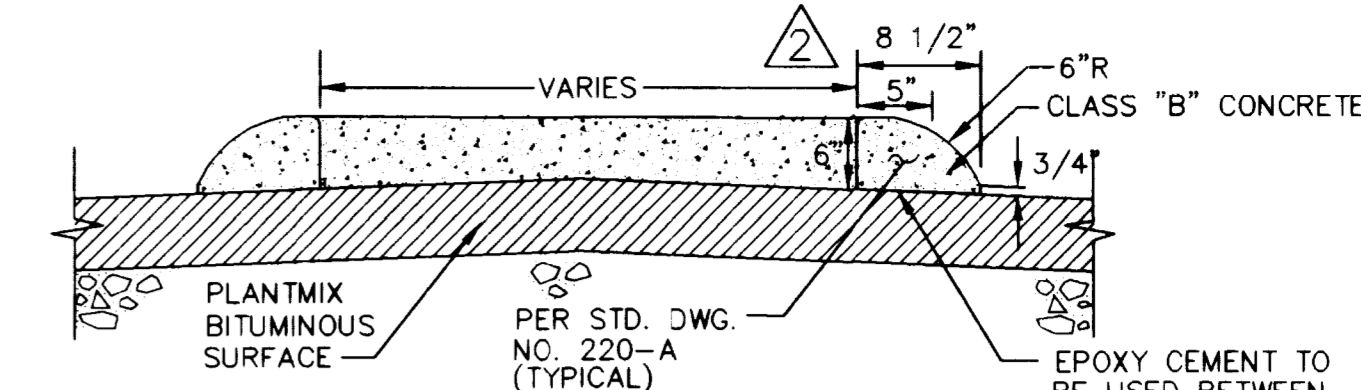
TYPICAL DECORATIVE ISLAND
NTS (F)



STREET NAME	STATION TO	STATION	X	Y	Z
MOJAVE ROAD	18+30.00	19+57.00	13"	4"	SEALCOAT
MOJAVE ROAD	20+43.00	21+54.78	13"	4"	SEALCOAT
29th STREET	9+13.20	9+57.00	9"	2"	SEALCOAT
28th STREET	10+43.00	10+73.88	9"	2"	SEALCOAT
EASTERN AVE.	7+06.00	9+57.00	(SEE NOTE)	5"	3/4" OPEN-GRADE
EASTERN AVE.	10+43.00 LT.	14+71.63 LT.	(SEE NOTE)	5"	3/4" OPEN-GRADE
EASTERN AVE.	10+43.00 RT.	14+71.63 RT.	(SEE NOTE)	5"	3/4" OPEN-GRADE
WASHINGTON AVE.	137+74.00	139+40.00	(SEE NOTE)	3"	SEALCOAT

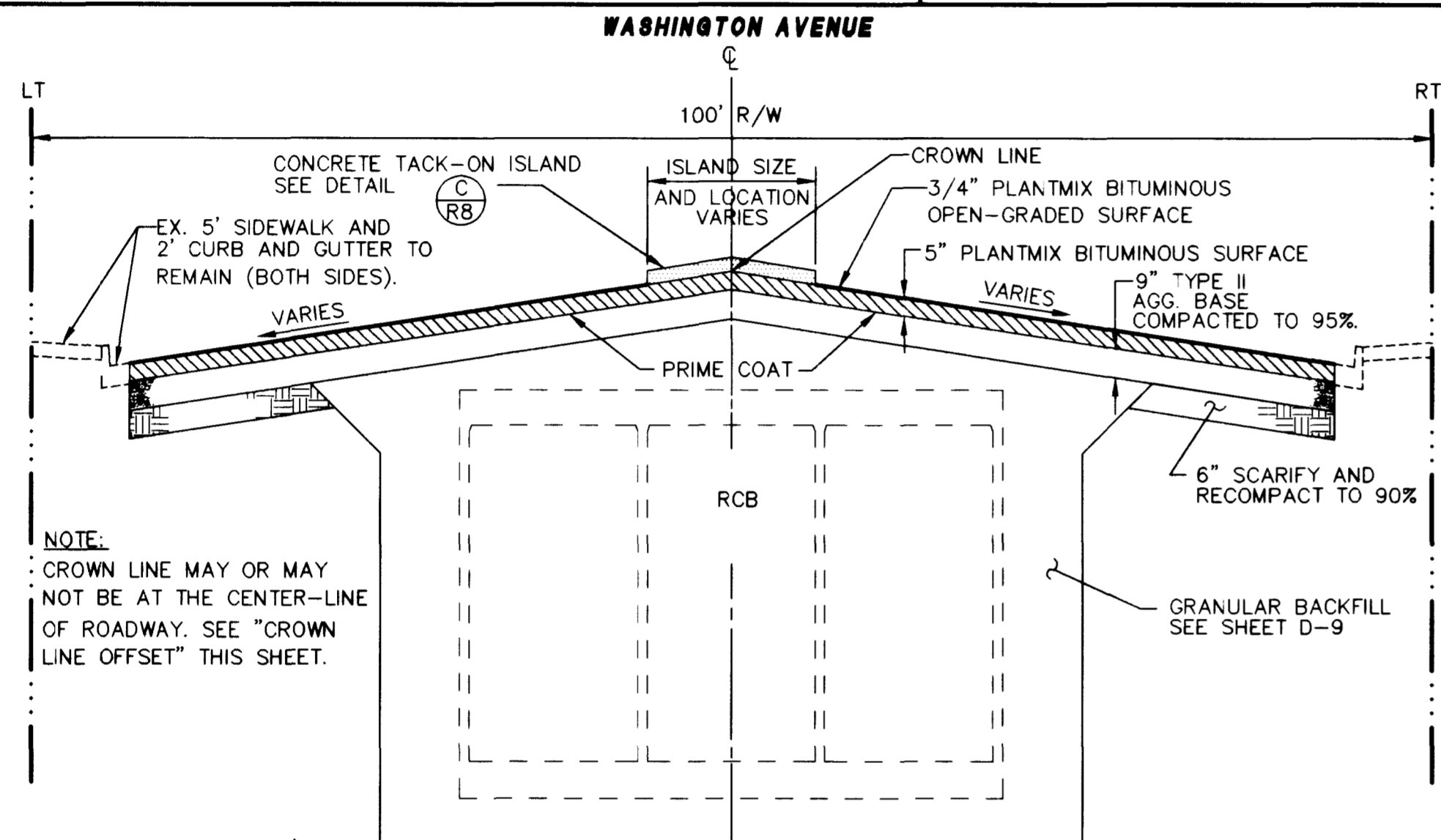
NOTE: EXIST. AGGREGATE BASE TO BE SCARIFIED TO A DEPTH OF 4" AND SUPPLEMENTED WITH TYPE II AGGREGATE BASE AS NECESSARY TO CONTRUCT THE REQUIRED A.C. DEPTH AND RECOMPACTED TO 95% RELATIVE DENSITY.

PAVEMENT SECTION
NTS (D)



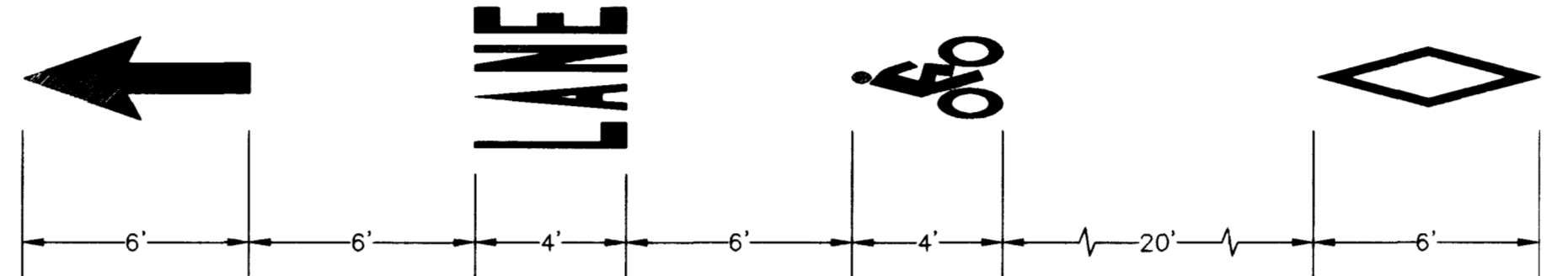
- NOTES:
 1. INSTALL EXPANSION JOINT PER DWG #220-A INTERVALS AND AT PC'S AND PT'S. SEE USD # 234 FOR EXPANSION JOINT LAYOUT.
 2. INSTALL WEAKENED PLANE JOINT AT 10' MAX INTERVALS.
 3. CONST. 1/2" RADIUS ROUNDED EDGES ON ALL EXPOSED CORNERS.
 4. BETWEEN STATIONS 131+23.00 TO 131+80.00 INSTALL #3 BARS @ 18" O.C. EACH WAY WITHIN CONCRETE.

TYPICAL TACK-ON ISLAND
NTS (C)

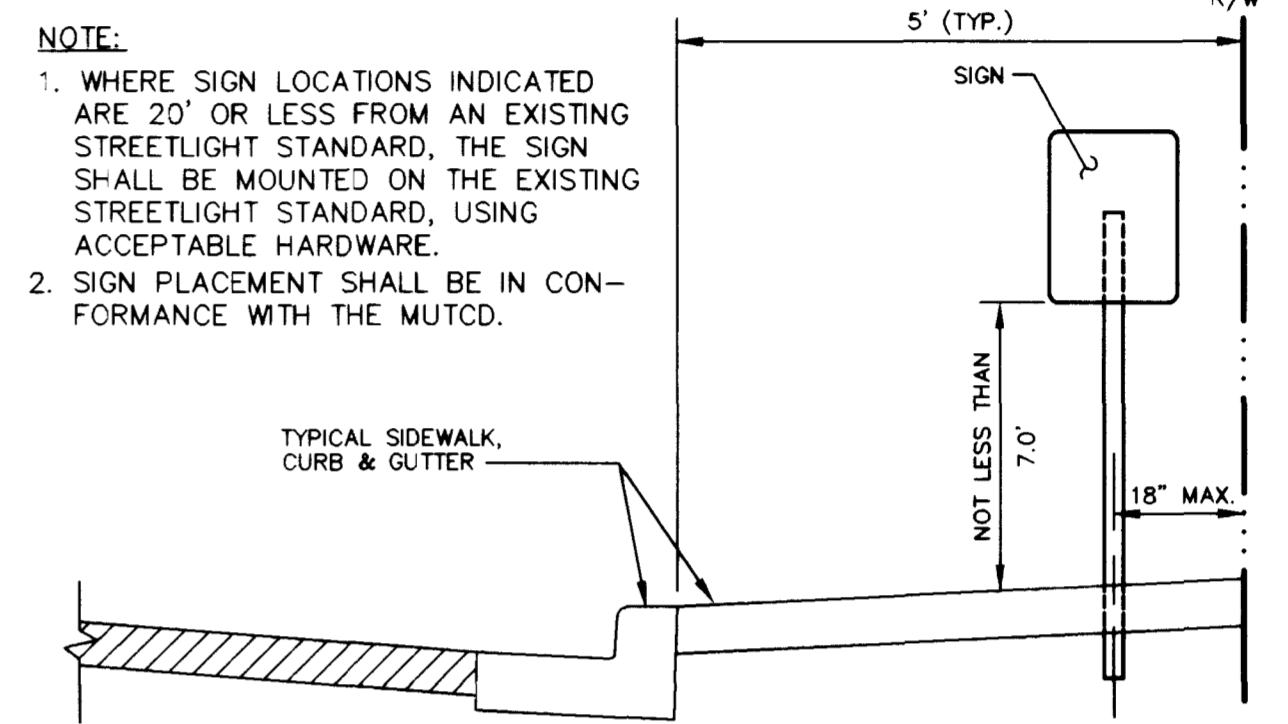


STATION TO	STATION	DESCRIPTION
92+74.00	93+50.00	3/4" PLANTMIX BITUMINOUS OPEN GRADE SURFACE ONLY.
93+50.00	94+36.43	
101+18.14	104+05.55	
106+38.41	114+36.96	
117+48.14	120+36.40	
122+48.14	125+36.38	
131+23.00	136+54.94	
136+54.94	137+74.00	OMIT 3/4" PLANTMIX BITUMINOUS OPEN-GRADE SURFACE

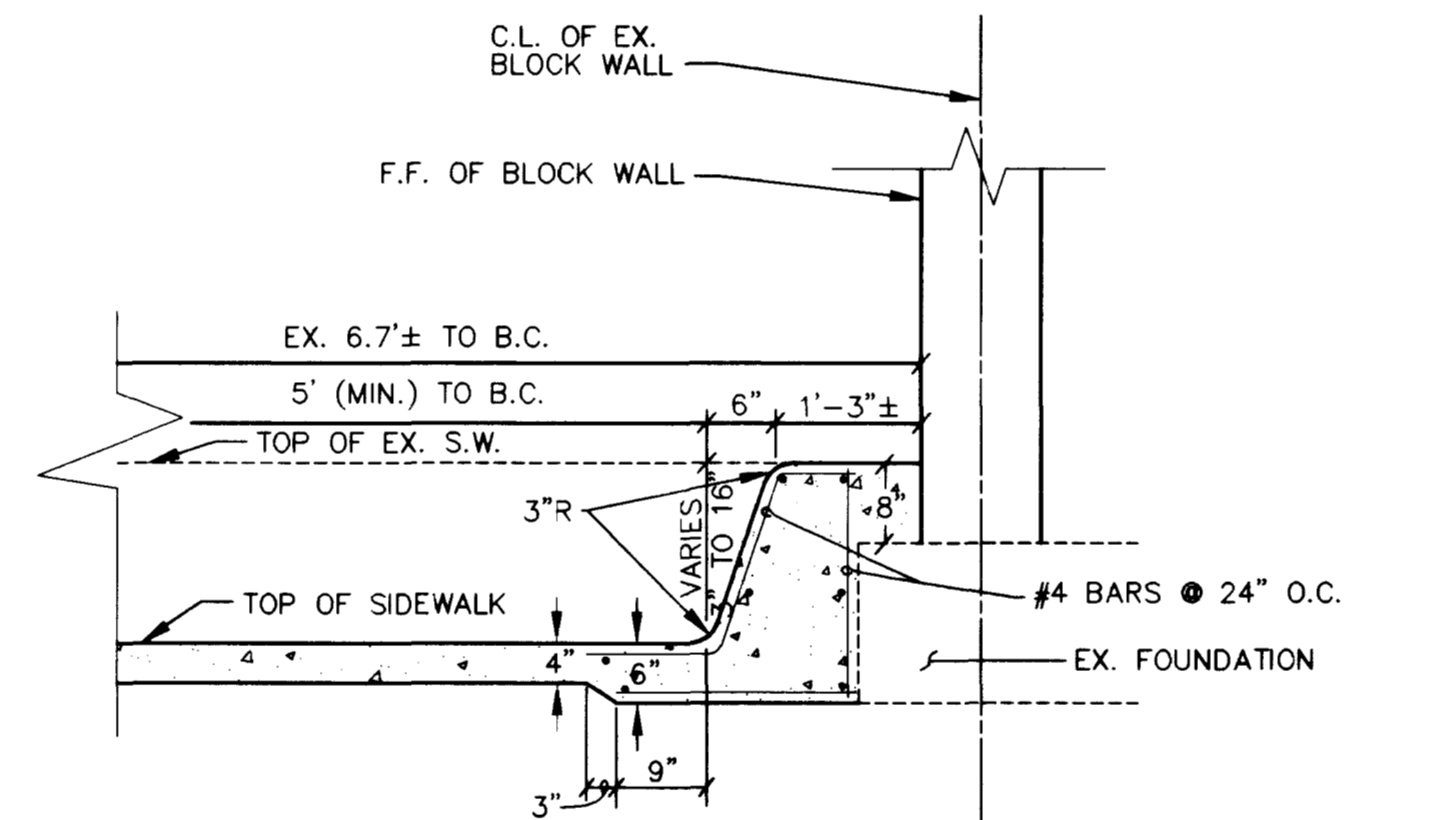
TYPICAL ROADWAY SECTION
NTS (A)



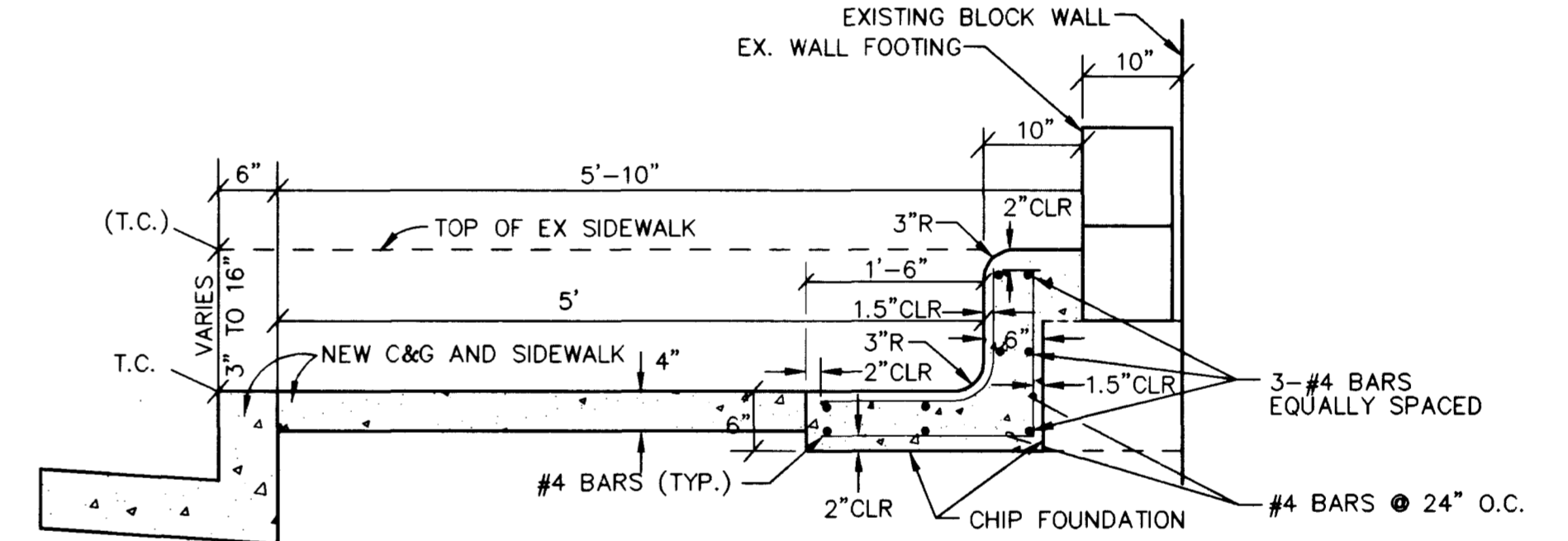
BIKE LANE PAVEMENT MARKINGS
NTS (E)



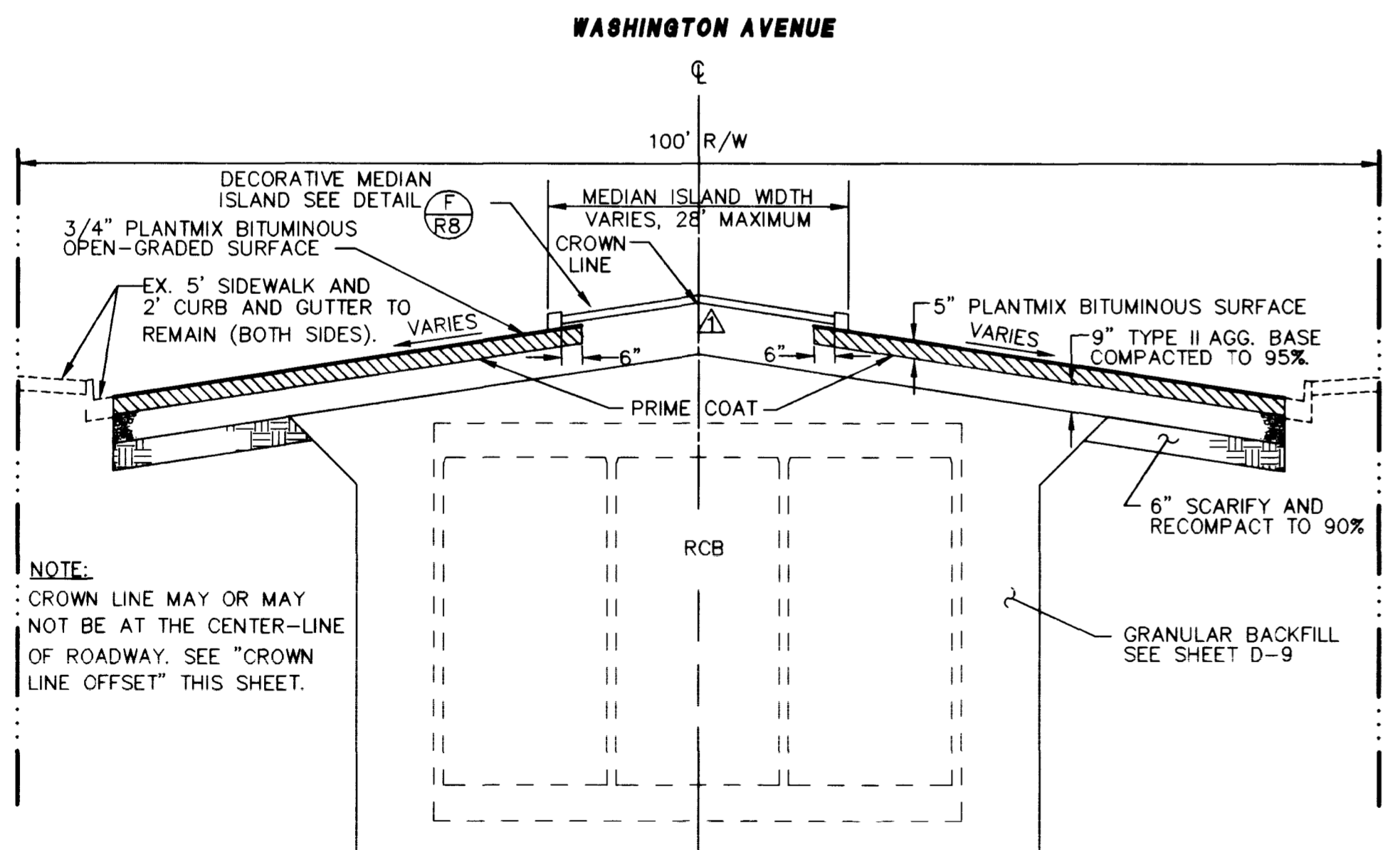
TYPICAL PERMANENT SIGN PLACEMENT
NTS (H)



BLOCKWALL CONCRETE FOOTCAP
NTS (K)



BLOCKWALL CONCRETE FOOTCAP
NTS (J)

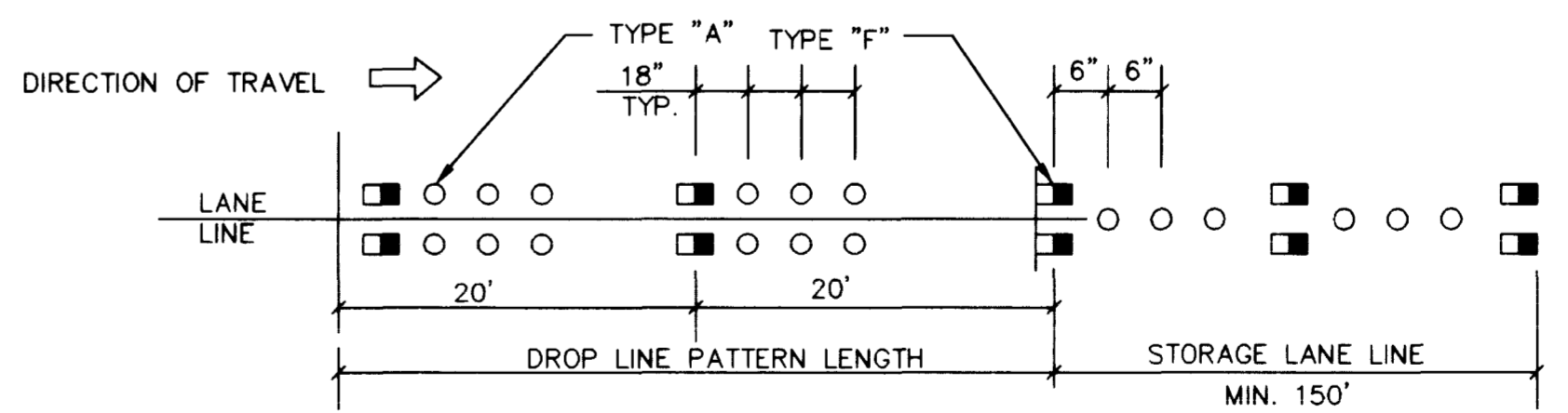


STATION TO	STATION	DESCRIPTION
94+36.43	101+18.14	
104+05.55	106+38.41	
114+36.96	117+48.14	
120+36.40	122+48.14	
125+36.38	131+23.00	

TYPICAL ROADWAY SECTION
NTS (B)

CROWN-LINE OFFSETS

STATION TO	STATION	OFFSET
93+74	108+00	14' LEFT
108+00	110+00	SEE SHT R-6 FOR INTERSECTION GRADING
110+00	111+00	CENTERLINE
111+00	114+00	TRANSITION FROM CENTERLINE TO 14' LEFT
114+00	117+00	TRANSITION FROM 14' LEFT TO CENTERLINE
117+00	125+20	CENTERLINE
125+20	127+20	TRANSITION FROM CENTERLINE TO 14' LEFT
127+20	133+00	14' LEFT
133+00	134+22	14' LEFT & 8' LEFT
134+22	136+55	SEE SHT R-7 FOR INTERSECTION GRADING
136+55	137+50	TRANSITION FROM 14' RIGHT TO CENTERLINE
137+50	137+74	CENTERLINE
137+74	139+40	SEE SHTS R-1 & D-13



DROP LANE MARKINGS
NTS (M)

RECORD DRAWING
 These Record Drawings have been prepared based on information provided by others. The Engineer has not verified the accuracy of such information and shall not be responsible for any errors or omissions which may be incorporated herein as a result.

Avoid cutting underground utility lines. It's costly.
Call before you Dig.
 1-800-227-2600
(UNDERGROUND SERVICE ALERT (USA))

REVISIONS

No.	Date	Description
1		Deleted 2" PBS Under Decor. Island
2		Modified Tack On Island Curb
3		Modified Station for pavement

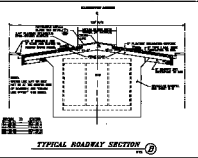
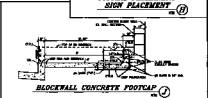
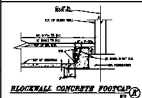
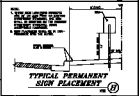
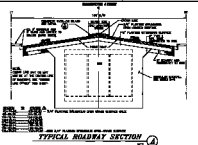
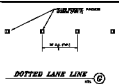
DESIGNED: RL/BB
 DRAWN: JAL/ML/BB
 CHECKED: RL/BB
 JOB NO. 988-3-81
 SCALE: AS NOTED
 HORIZ. AS NOTED
 VERT. AS NOTED

1055 EAST TROPICANA
 SUITE 800
 LAS VEGAS, NEVADA 89119
 (702) 796-1007

CONSULTING ENGINEERS

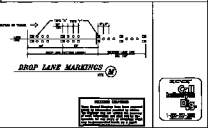
CITY OF LAS VEGAS
 WASHINGTON AVENUE CONVEYANCE SYSTEM
 ROADWAY IMPROVEMENT DETAILS

SHEET
R-8
 31 OF 39



CROWN-LINE OFFSETS

TYPE	WIDTH	DEPTH
10-00	10-00	10-00
12-00	12-00	12-00
14-00	14-00	14-00
16-00	16-00	16-00
18-00	18-00	18-00
20-00	20-00	20-00
22-00	22-00	22-00
24-00	24-00	24-00
26-00	26-00	26-00
28-00	28-00	28-00
30-00	30-00	30-00
32-00	32-00	32-00
34-00	34-00	34-00
36-00	36-00	36-00
38-00	38-00	38-00
40-00	40-00	40-00
42-00	42-00	42-00
44-00	44-00	44-00
46-00	46-00	46-00
48-00	48-00	48-00
50-00	50-00	50-00



CITY OF LAS VEGAS
REGISTRATION AND COMPLIANCE DIVISION
ROADWAY IMPROVEMENT
DETAILS

R-8