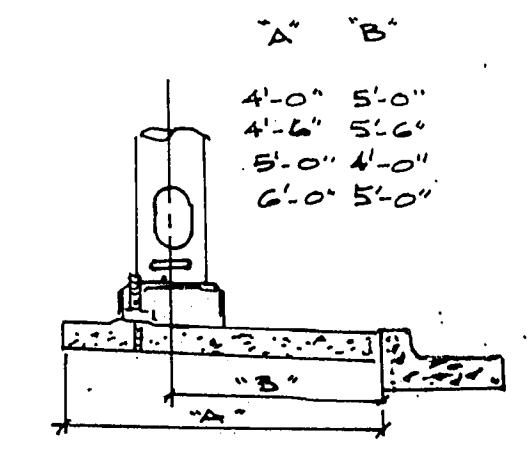
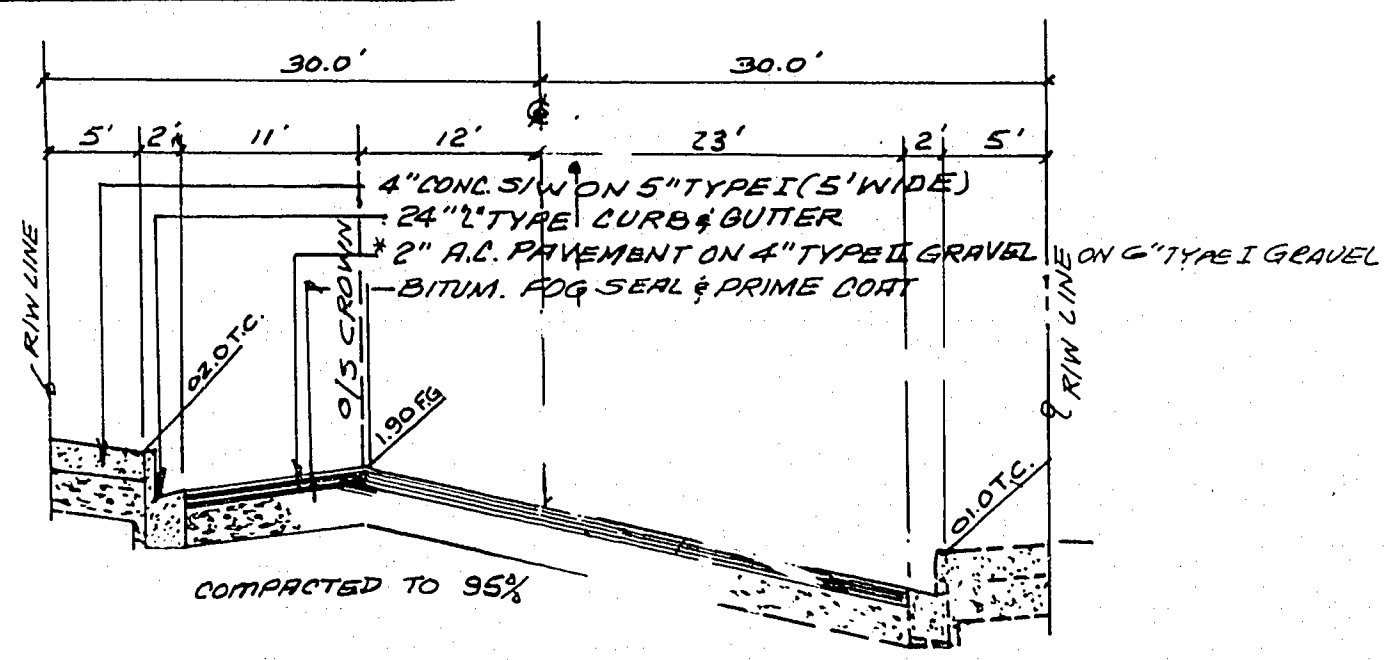


UNDEVELOPED

UNDEVELOPED



STREET LIGHT LOCATION



FIRESTONE DRIVE
(TYPICAL ONE-HALF STREET SECTION)

LEGEND

- ⊙ LOT NUMBER
- R/W RIGHT-OF-WAY
- SSMH SANITARY SEWER MANHOLE
- ⊠ 12" CONC. SAN. PULL BOX
- ⊠ 12" CONC. STREET NAME SIGN
- ⊠ STOP SIGN
- ⊠ BLOCK NUMBER
- ⊠ FIRE HYDRANT
- ⊠ NEW STREET LIGHT

GENERAL NOTES

- EXISTING UTILITIES ARE LOCATED ON THESE PLANS FOR THE CONVENIENCE OF THE CONTRACTOR. ONLY THE CONTRACTOR BEARS FULL RESPONSIBILITY FOR THE PROTECTION OF UTILITIES AND THE ENGINEER BEARS NO RESPONSIBILITY FOR UTILITIES NOT SHOWN ON THE PLANS OR NOT IN A LOCATION SHOWN ON THE PLANS.
- QUANTITY ESTIMATES SHOWN HEREON ARE APPROXIMATE AND NO ONE IS TO RELY UPON THEM FOR PAY QUANTITIES. EACH AND EVERY CONTRACTOR SHALL HAVE A SET OF APPROVED PLANS AND SPECIFICATIONS ON THE JOB SITE AT ALL TIMES.

WATER NOTES

- ALL WORK TO CONFORM TO LAS VEGAS VALLEY WATER DISTRICT STANDARD PLATES.
- ALL WORK EXCEPT AS MODIFIED HEREON OR BY NOTE NO. 1 SHALL BE DONE IN ACCORDANCE WITH THE MOST CURRENT DRAFT OR EDITION OF UNIFORM STANDARD SPECIFICATIONS FOR PUBLIC WORKS CONSTRUCTION OFF-SITE IMPROVEMENTS, CLARK COUNTY AREA.
- NOTICE TO BE GIVEN ENGINEERING DEPT. OF THE LAS VEGAS VALLEY WATER DISTRICT 48 HOURS PRIOR TO ACTUAL CONSTRUCTION.
- SERVICE SADDLES OR TAPPED COLLARS WILL BE REQUIRED ON ALL SERVICES; DOUBLE TAPPED COLLARS ARE NOT PERMITTED.
- ALL LINES TO BE PRESSURE TESTED TO 200 P.S.I.
- DEFLECTION ANGLE SHALL NOT EXCEED 2-1/2 DEGREES PER 13 FOOT SECTION OF PIPE FOR PIPE SIZES SMALLER THAN 14 INCHES AND SHALL NOT EXCEED 2 DEGREES FOR PIPE SIZES BETWEEN 14 AND 16 INCHES.
- ALL METERS SHALL BE LOCATED OUTSIDE OF DRIVEWAYS.
- SERVICE LATERALS FOR LOTS WILL BE TAPPED ON EXISTING MAIN BY OWNER'S/DEVELOPER'S CONTRACTOR UNDER DIRECTION OF THE LAS VEGAS VALLEY WATER DISTRICT.
- DETECTOR TAPS REQUIRED IN ACCORDANCE WITH STD. PLATE NO. 27 WHERE INDICATED AND AS FOLLOWS:
 - A. OVER ALL MAINS NOT INSTALLED AT 0 FEET FROM BACK OF CURB.
 - B. OVER ALL SERVICE LATERALS NOT INSTALLED AT RIGHT ANGLES TO MAINS.

QUANTITY ESTIMATE

STREET LIGHTING	
11 GA. STANDARD POLE	7 EA.
100 WATT H.P.S.	7 EA.
250 WATT H.P.S.	1 EA.
EX. STREET LIGHT	2 EA.
STOP SIGN	2 EA.
STREET NAME SIGN	3 EA.
12" X 12" CONDUIT	1 LF.
12" X 12" CONC. PULL BOX	4 EA.
C.L.V. STD. BARRICADE	1 EA.

WATER	
8" WATER LINE (OVERSIZED TO 12")	658 LF.
FIRE HYDRANT ASSEMBLY	4 EA.
6" X 6" TEE	5 EA.
12" X 6" REDUCER	2 EA.
12" X 12" TEE	2 EA.
6" STUB W/ 2" BLOW-OFF	1 EA.
6" A.C.P. WATER LINE	884 LF.
24" SERVICE	35 EA.
1/4" METER	35 EA.

SEWER	
10" P.V.C. SANITARY SEWER	470 LF.
8" P.V.C. SANITARY SEWER	765 LF.
SSMH	5 EA.

17-6-5 As Built

307Y-868