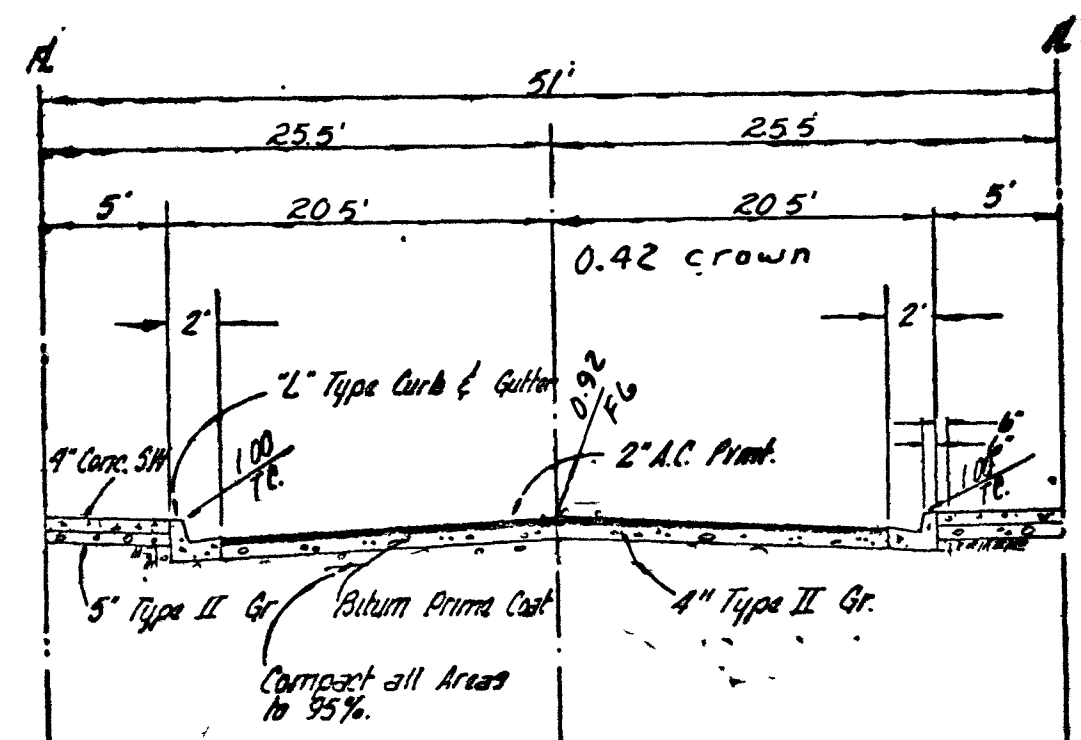
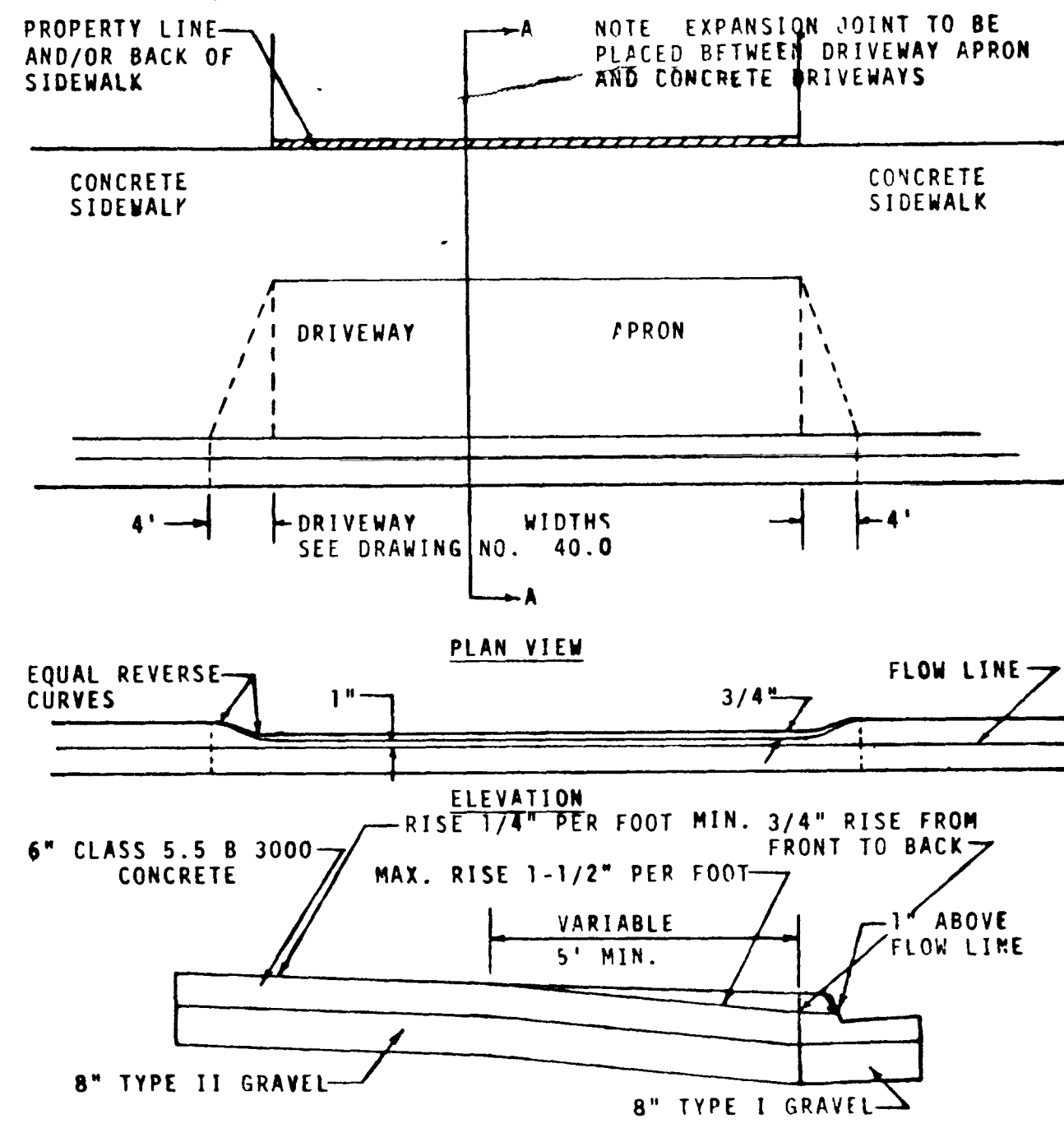


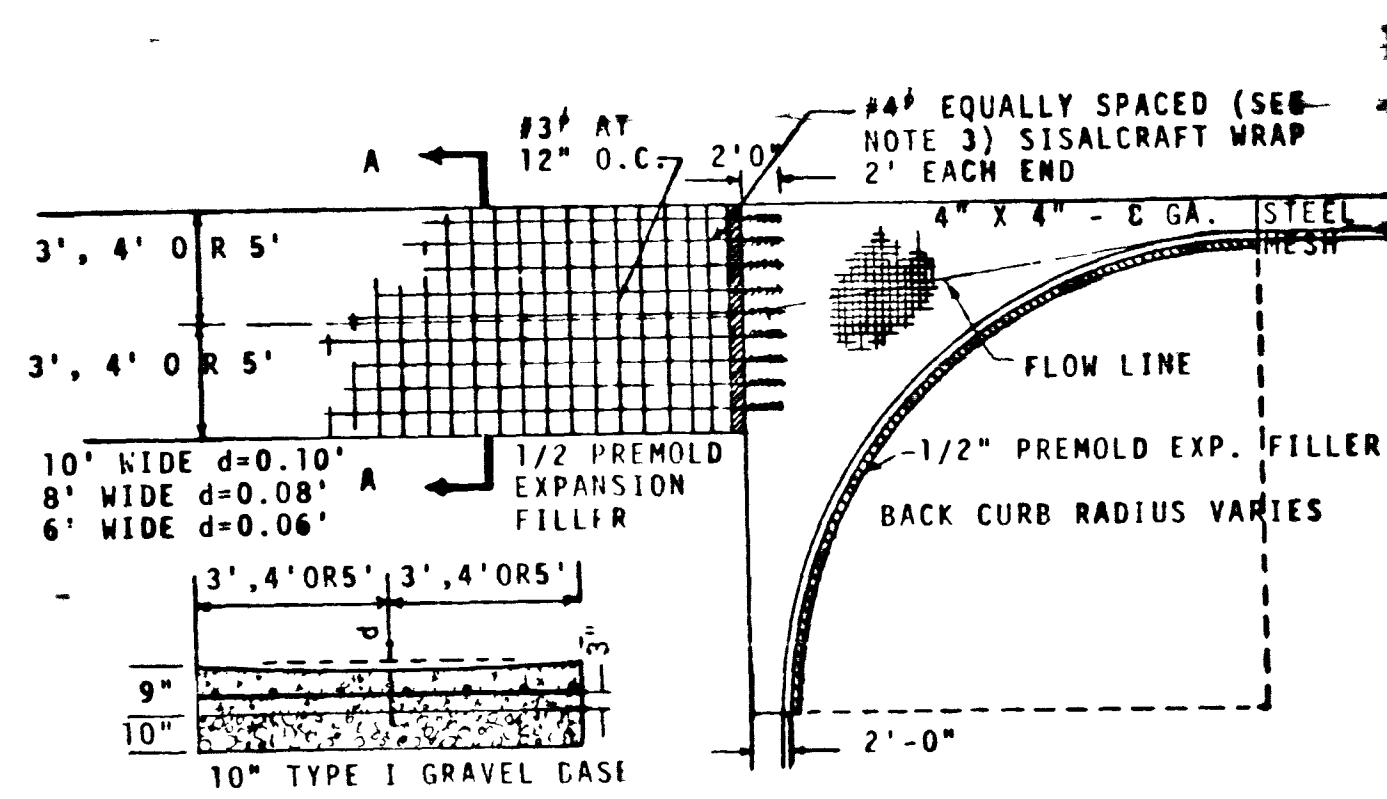
**Typical Section**  
1 FT. CROSSFALL  
YELLOW SKY DRIVE  
STORMSON DRIVE  
TEMPEST COURT



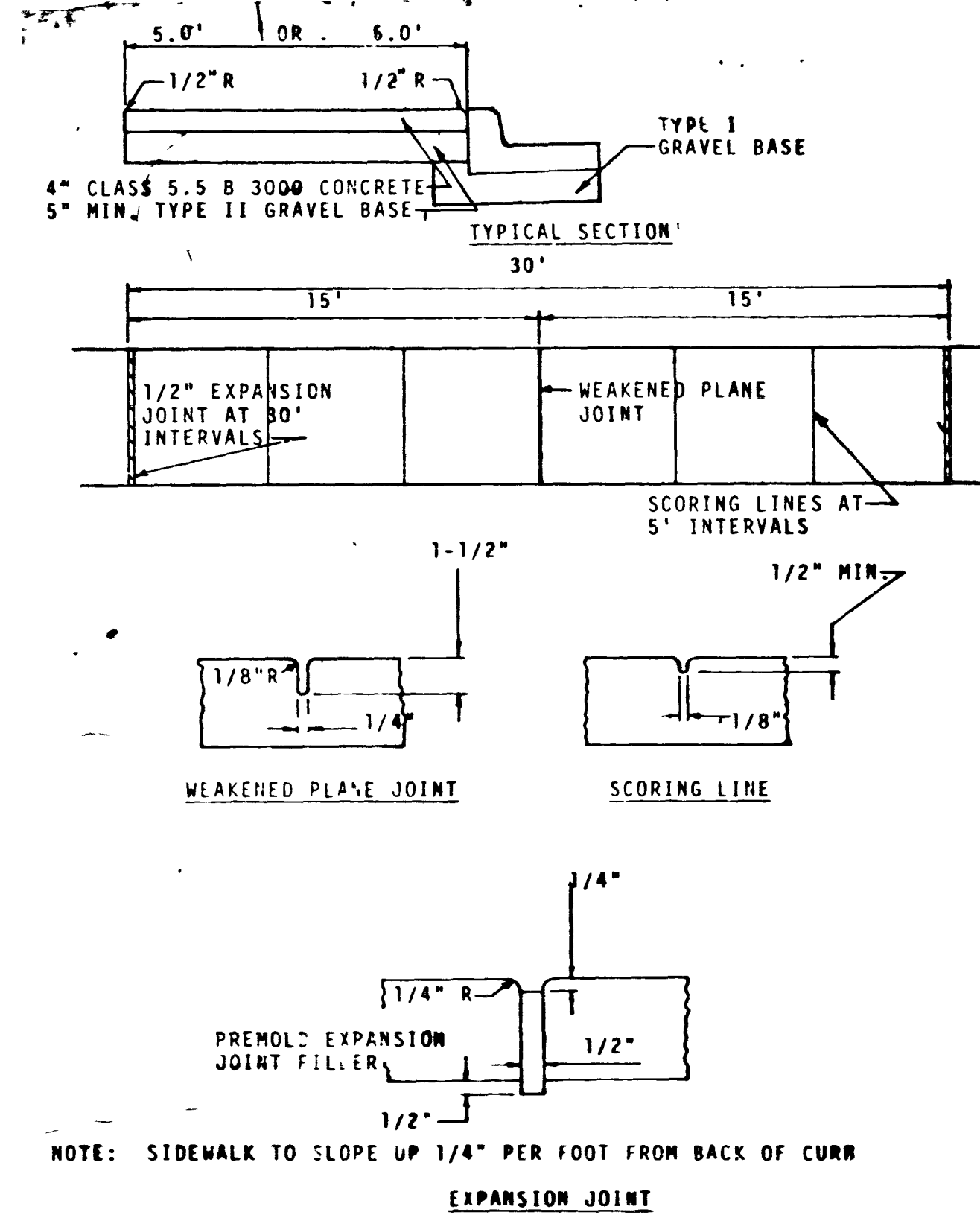
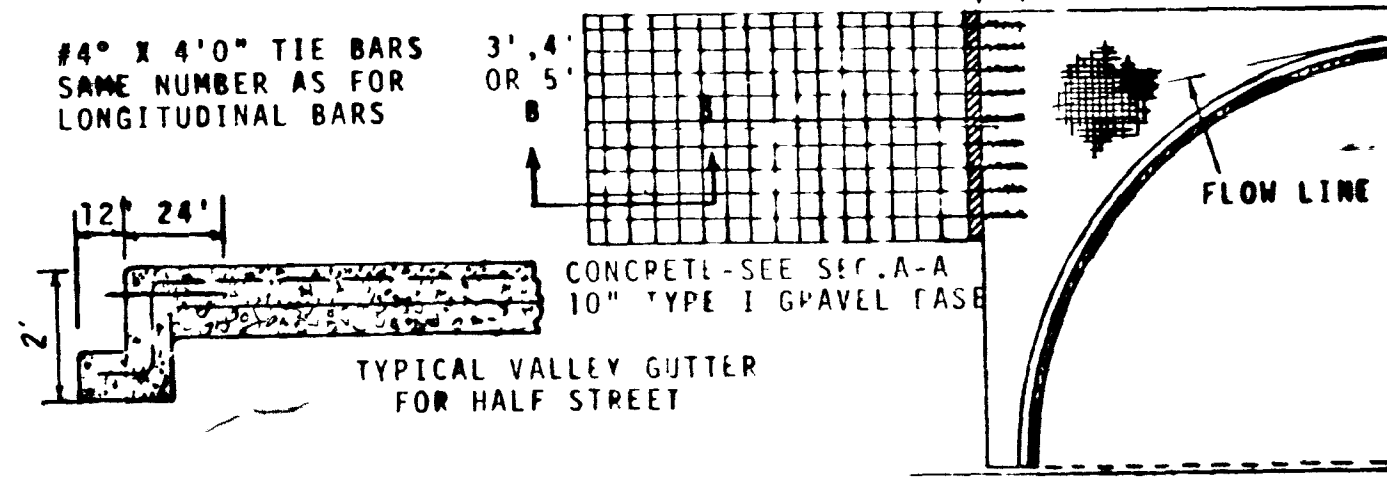
**Typical Section**  
BLIZZARD COURT



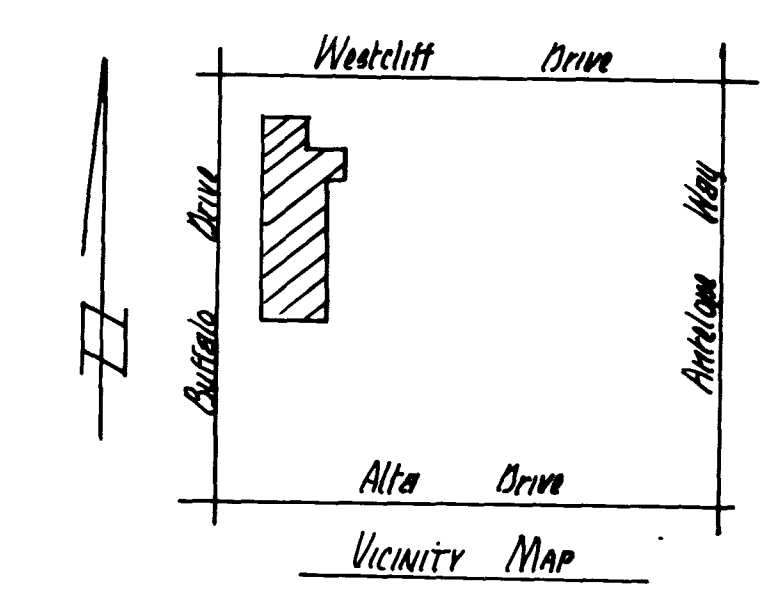
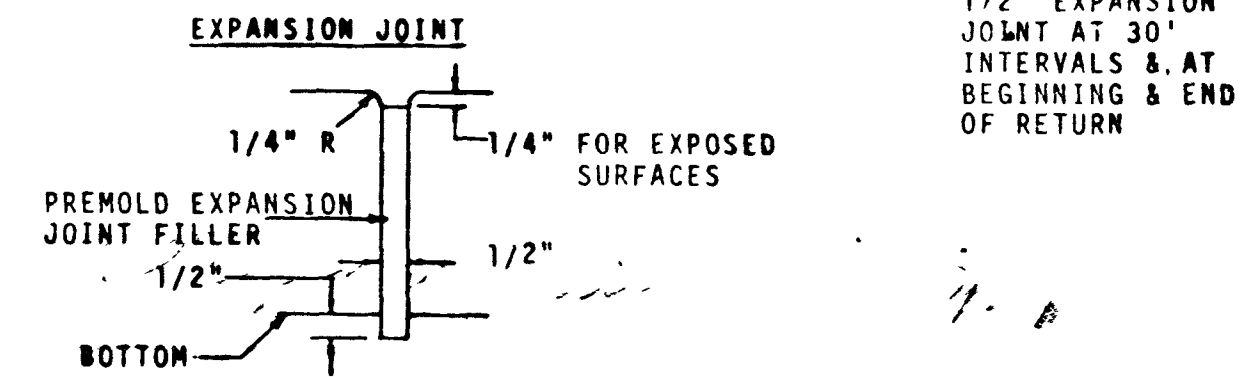
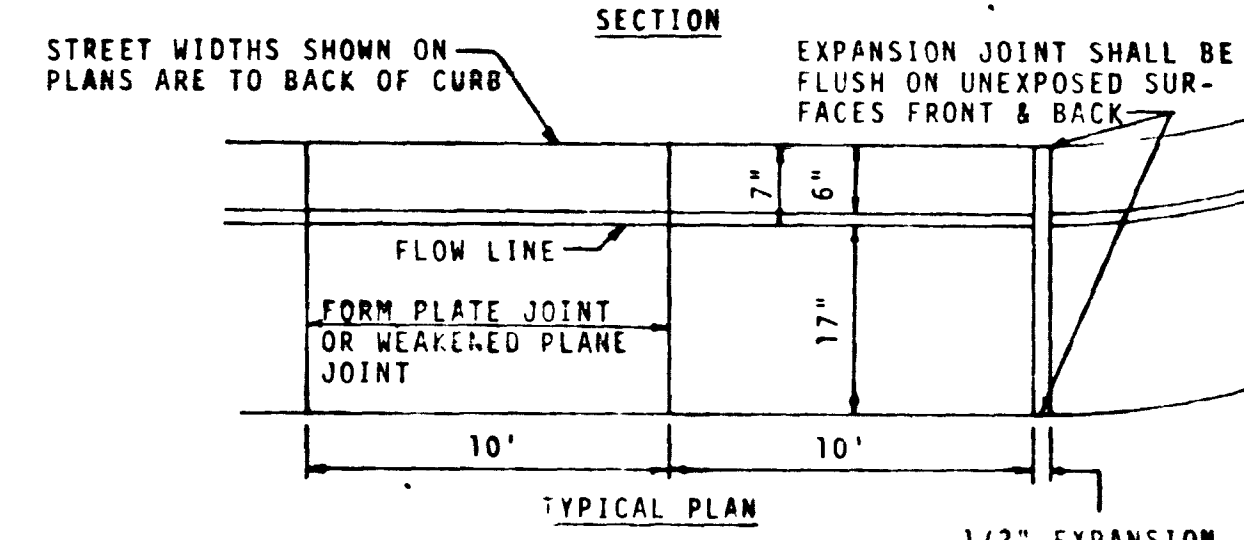
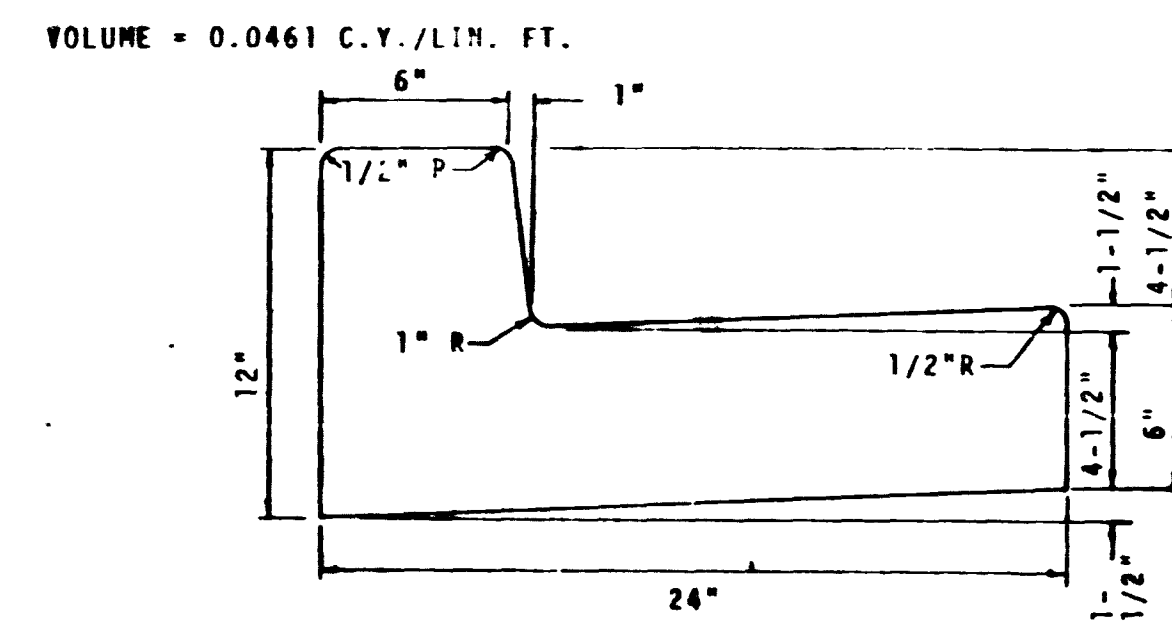
**SECTION A-A**  
VOLUME OF DEPRESSED CURB (C.Y.) = (0.0385) DRIVEWAY WIDTH + (0.3379)



- NOTES:**
- CONCRETE TO BE 5.5 B 3000 CONCRETE
  - 8" & 10" GUTTERS TO BE USED ON ALL MAJOR STREETS
  - 6" VALLEY GUTTERS MAY BE USED ON MINOR, LIGHT TRAVELED STREETS
  - LONGITUDINAL REINFORCING BARS:  
PLACE 7 - #4 BARS IN 10" VALLEY GUTTER  
PLACE 5 - #4 BARS IN 8" VALLEY GUTTER  
PLACE 3 - #4 BARS IN 6" VALLEY GUTTER
  - TRANSVERSE REINFORCING BARS:  
PLACE #3 BARS AT 12" O.C.
  - STEEL MESH DISCONTINUES AT EXPANSION JOINT  
SLOT TO BE CONSTRUCTED WHEN DIRECTED BY THE ENGINEER  
SEE DRAWING NUMBER 340.44.



NOTE: SIDEWALK TO SLOPE UP 1/4" PER FOOT FROM BACK OF CURB



**Bench Mark:**  
CLV BM-60-34-07 Located on top of curb @ S.E. corner of Antelope Way & Peggy Drive 400' North of Charleston Blvd  
Elev. VTN Datum = 2447.50' Elev. CLV Datum = 2445.72'  
VTN Datum - CLV Datum = 2441.50 - 2445.72 = 1.78'

- NOTICE TO CONTRACTOR**
- Contractor shall provide all necessary horizontal and vertical transition between new construction and existing surfaces to provide for proper drainage and of ingress and egress to said construction. Extent of transitions to be determined by the County Engineer.
  - Existing utilities are located on plans for the convenience of the contractor only. The contractor shall bear full responsibility for the protection of utilities and the engineer bears no responsibility for utilities not shown on plans or not in the location shown on the plans.
  - Construction to be per Uniform Standard Specifications and Drawings, Clark County, Nevada.

**QUANTITY ESTIMATE**

NO.	ITEM	AMOUNT	S.Y.
1	3" A. C. Paving		S.Y.
2	2" A. C. Paving	6492	S.Y.
3	Concrete Valley Gutter (2Ea)	860	S.F.
4	Curb and Gutter (24" L Type)	2932	L.F.
5	5' Sidewalk	10795	S.F.
6	6' Sidewalk		S.F.
7	5' x 6" Driveway Approaches (39Ea)	3900	S.F.
8	6' x 6" Driveway Approaches		S.F.
9	CLV Std Barricade		1 EA

Note: Type V Cement to be used in all Concrete Construction

**ENGINEER'S CERTIFICATE**

I hereby certify that these plans and/or specifications comply with F.H.A. objectives, minimum property standards and neighborhood requirements and represents the best of my judgment.

Charley R. Johnson 1/5/77  
Charley R. Johnson REB Date  
Nev Cert. No. 3003

**VTN CONSULTING ENGINEERS • PLANNERS**  
2209 PARADISE ROAD LAS VEGAS NEVADA 89105  
(702) 735-0227

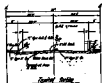
**Charleston Rainbow Unit - 14C Improvement Details**

SCALE	WO. NO.	DATE	SHEET	OF
Varied	1066-14C	1/5/77	1	7
HORIZ.	DES.	REV.		
VERT.	CHK.	REV.		



**Bridge Elevation**

1/4" = 1'-0"  
 YELLOW RIV. BRIDGE  
 SHADRON GAIN  
 12' HIGHWAY CANT



**Bridge Elevation**

1/4" = 1'-0"  
 SHADRON CANT



1/4" = 1'-0"  
 SHADRON CANT



1/4" = 1'-0"  
 SHADRON CANT



1/4" = 1'-0"  
 SHADRON CANT

**NOTES TO CONTRACTOR**

1. Contractor shall provide all necessary foundation and support structures for the bridge and shall be responsible for the construction of the same.
2. All bridge structures shall be constructed in accordance with the specifications and standards of the State of Michigan.
3. All bridge structures shall be constructed in accordance with the specifications and standards of the State of Michigan.

Quantity Schedule	
No.	Description
1	1/4" = 1'-0"
2	1/4" = 1'-0"
3	1/4" = 1'-0"
4	1/4" = 1'-0"
5	1/4" = 1'-0"
6	1/4" = 1'-0"
7	1/4" = 1'-0"
8	1/4" = 1'-0"
9	1/4" = 1'-0"
10	1/4" = 1'-0"

1/4" = 1'-0"  
 SHADRON CANT

<b>Michigan State Highway Department</b> Department Office	
Date: _____ No. _____	Date: _____ No. _____