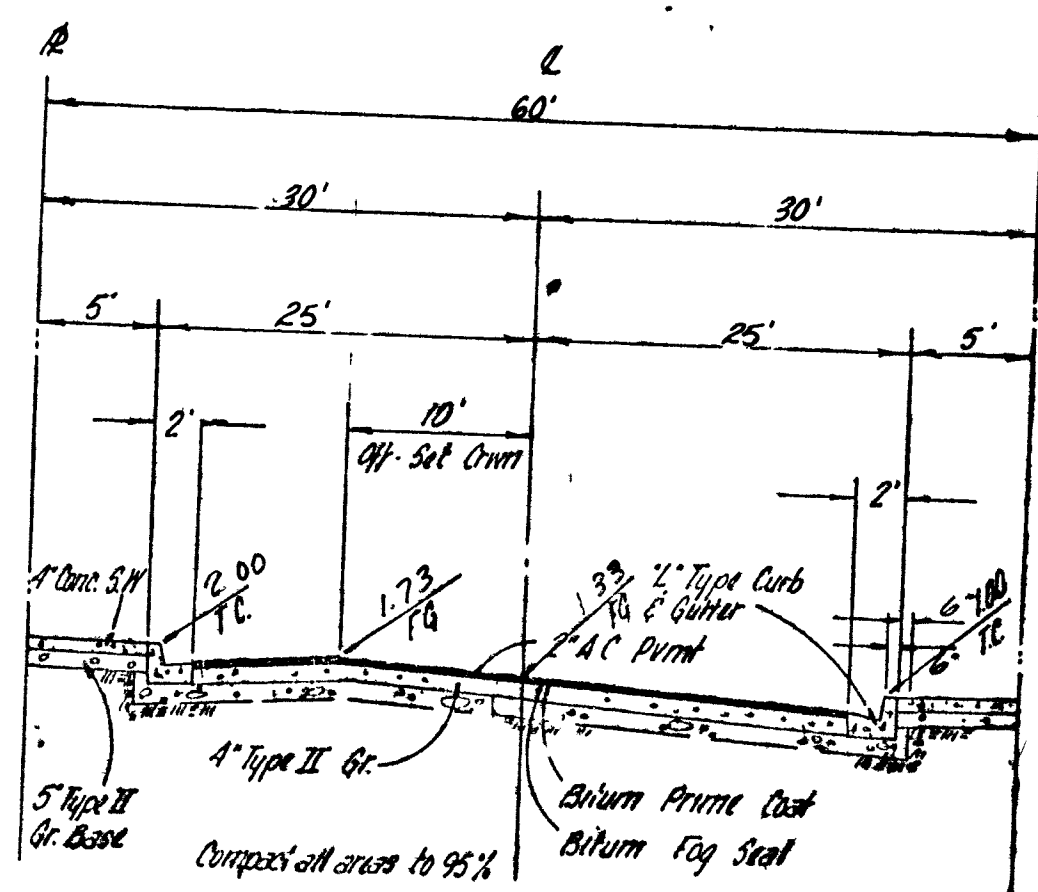
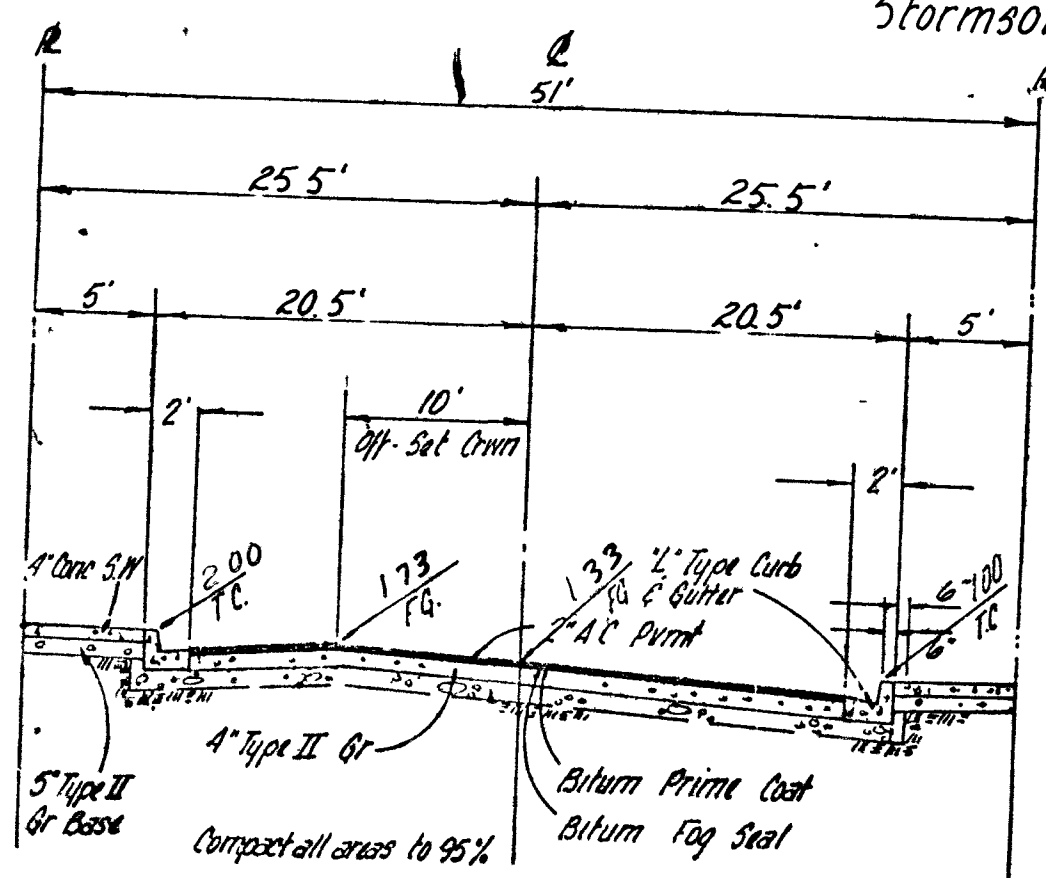


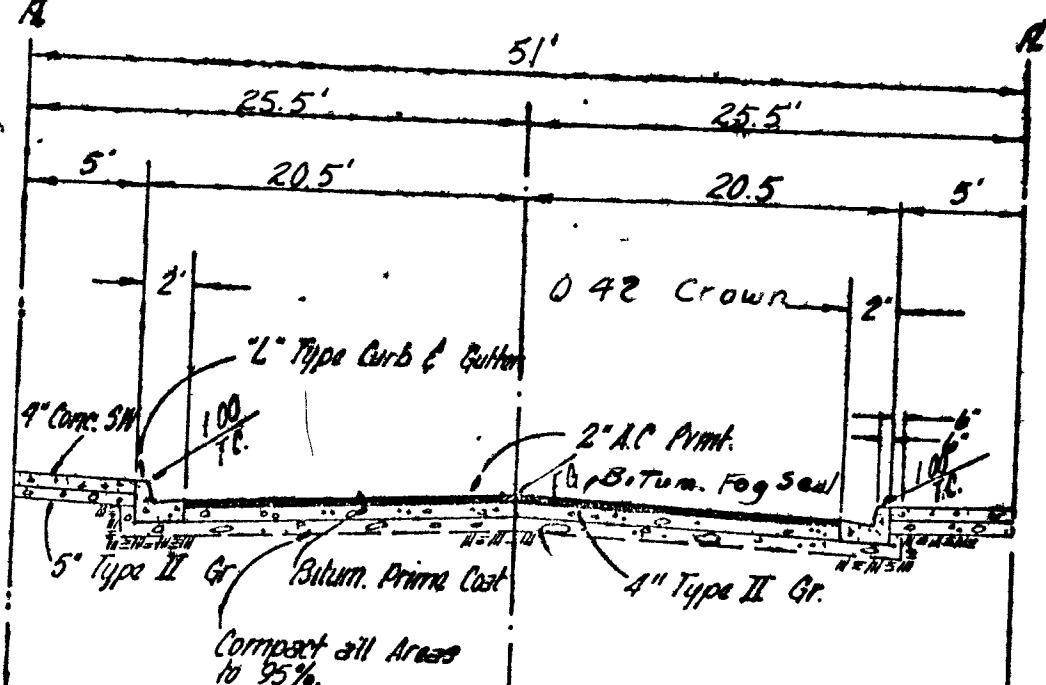
Typical Section Raincloud Drive



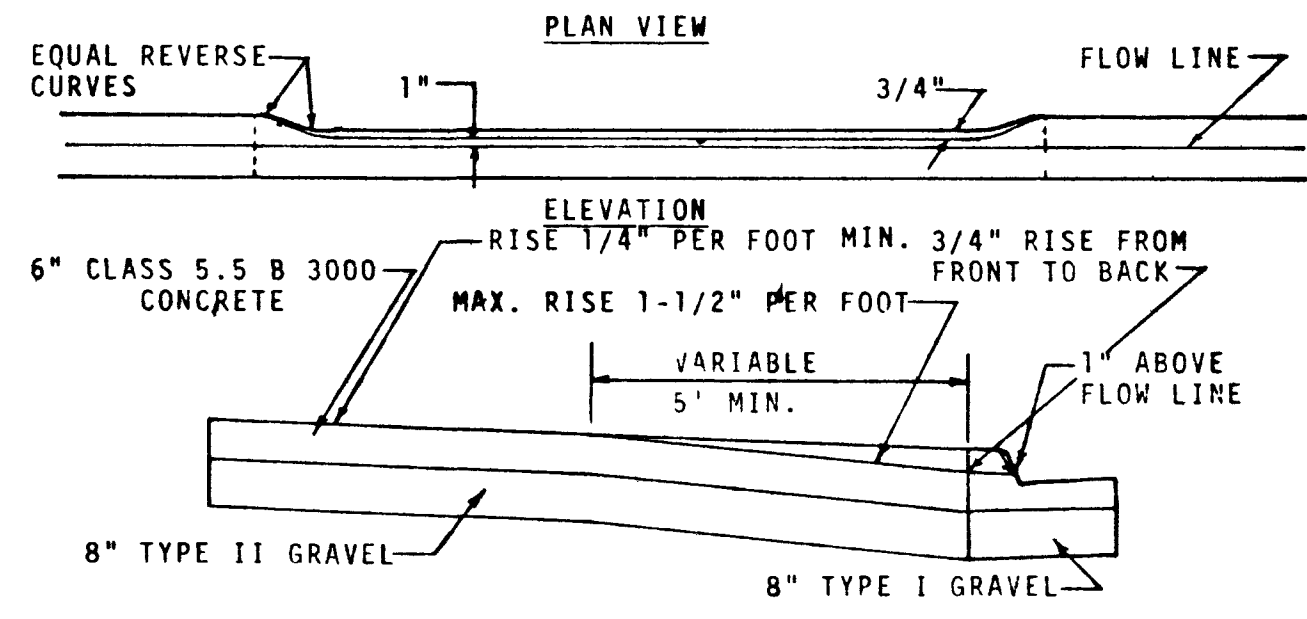
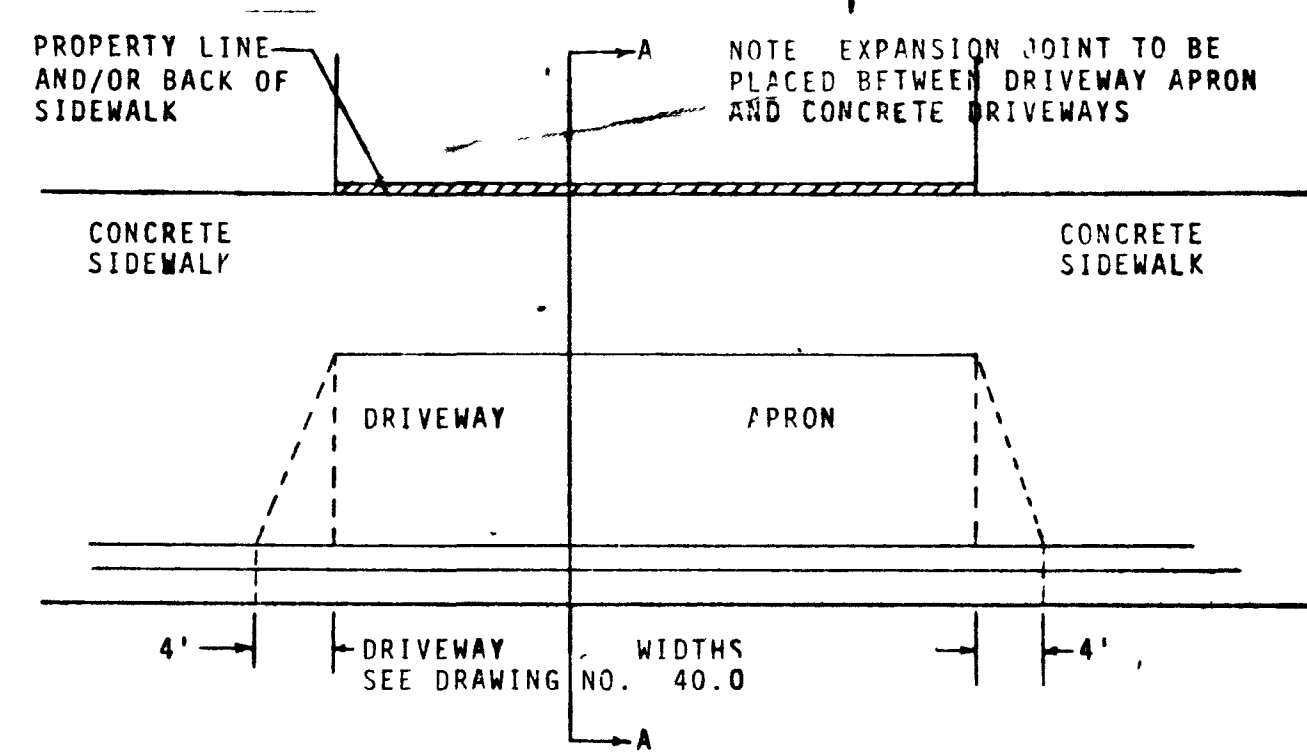
Typical Section 60' Street



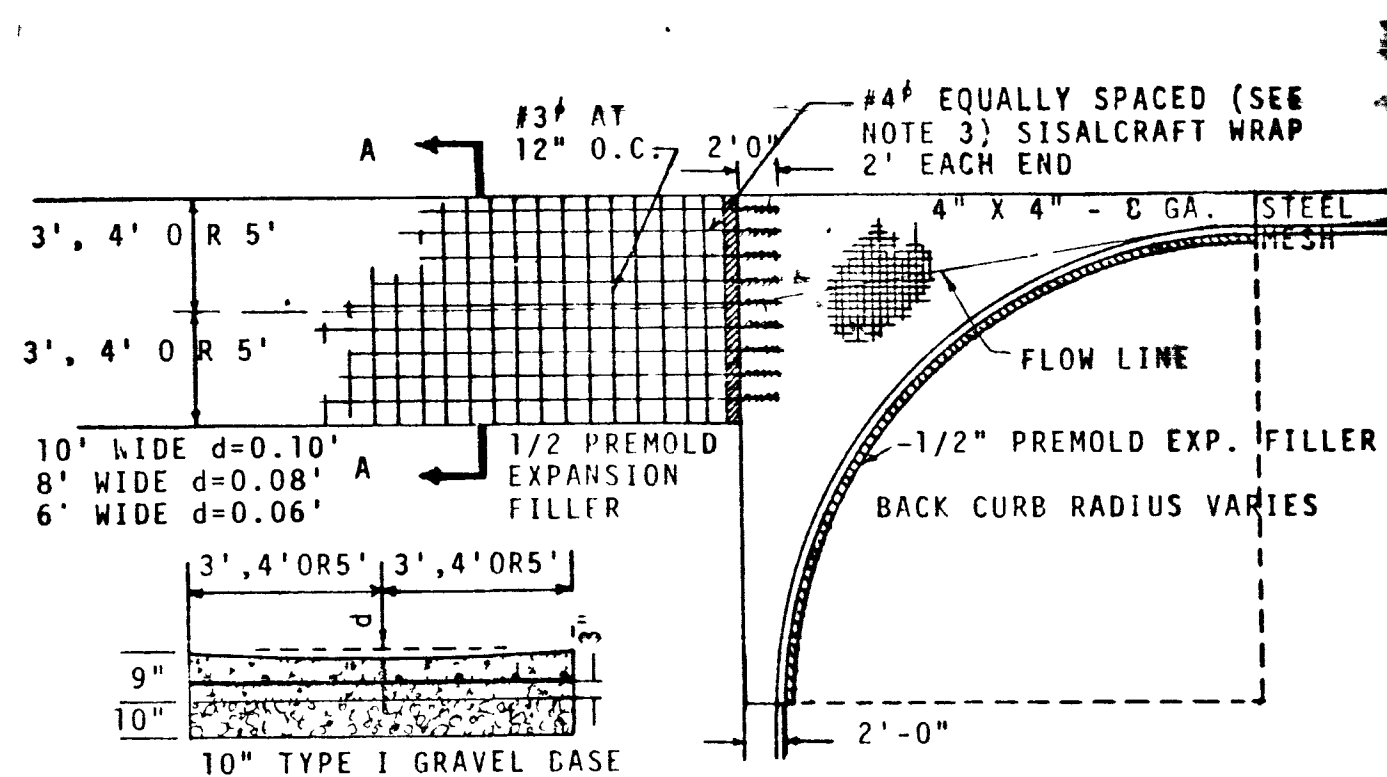
Typical Section 51' Street



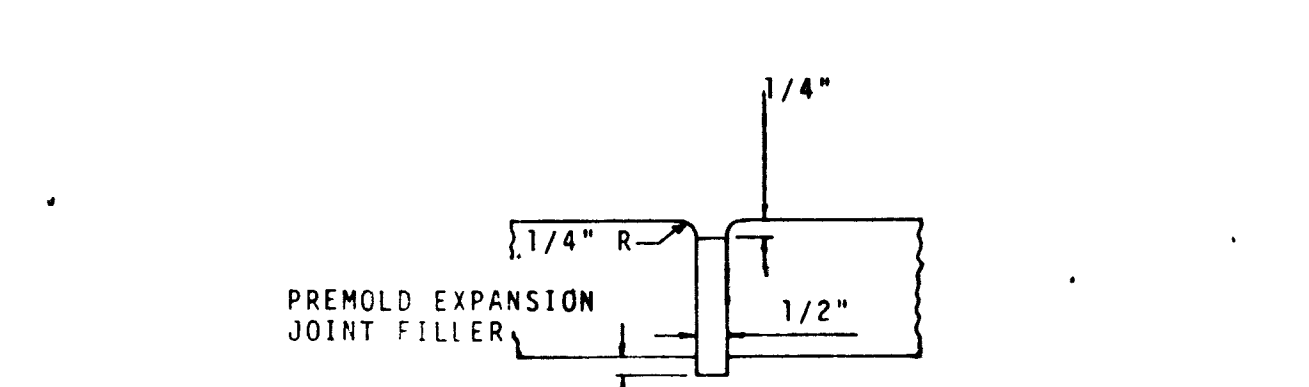
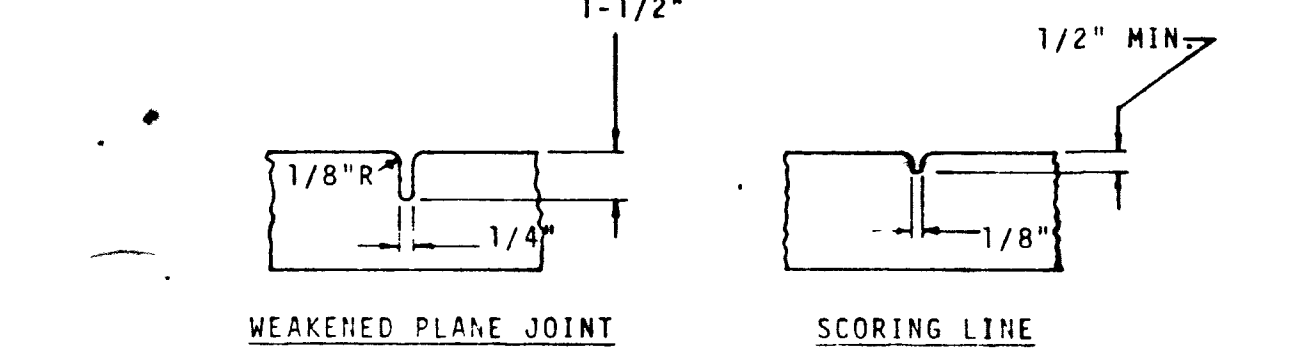
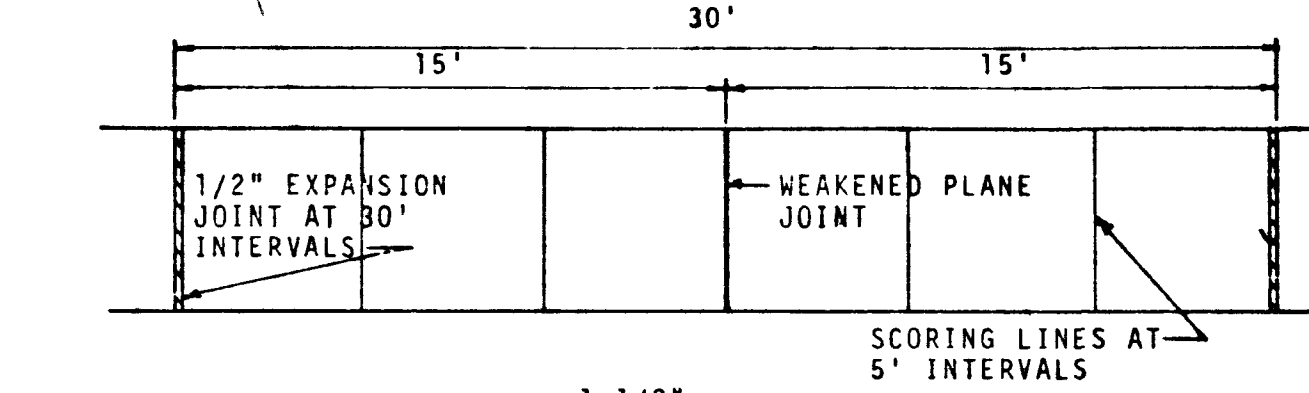
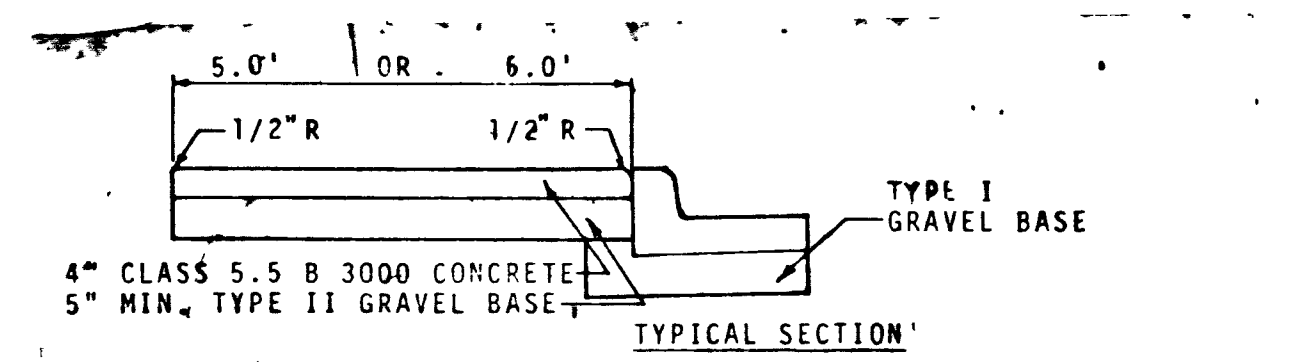
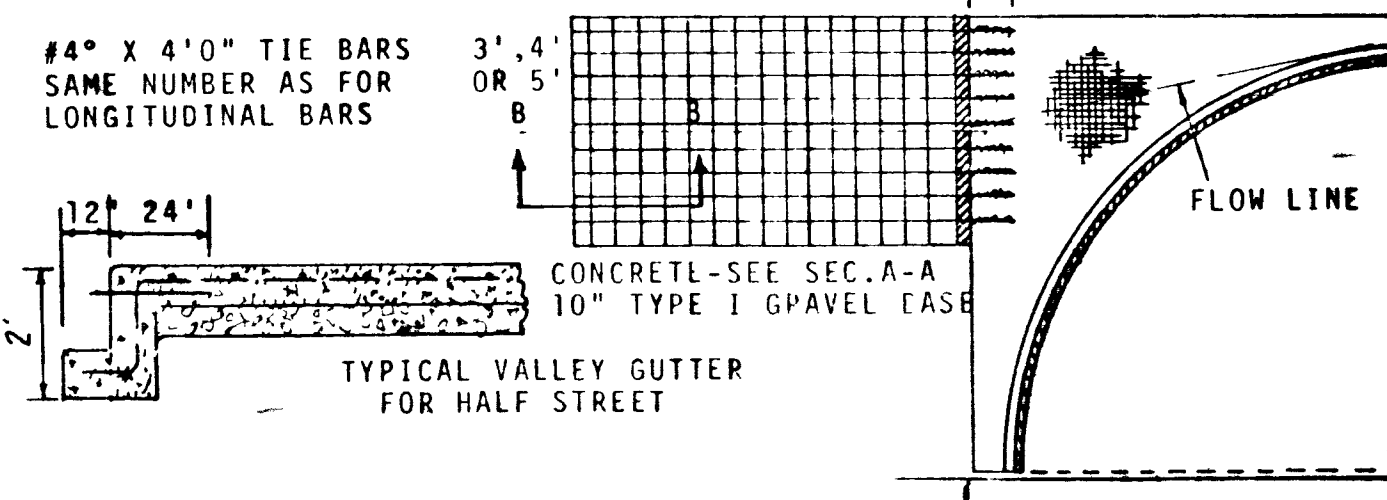
Typical Section 51' Street Wandercloud Drive



VOLUME OF DEPRESSED CURB (C.Y.) = (0.0385) DRIVEWAY WIDTH + (0.3379)

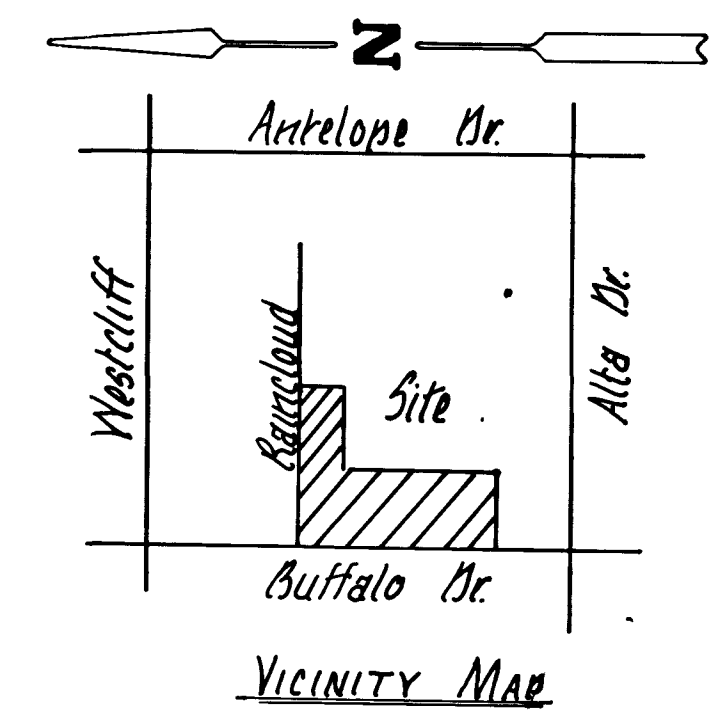
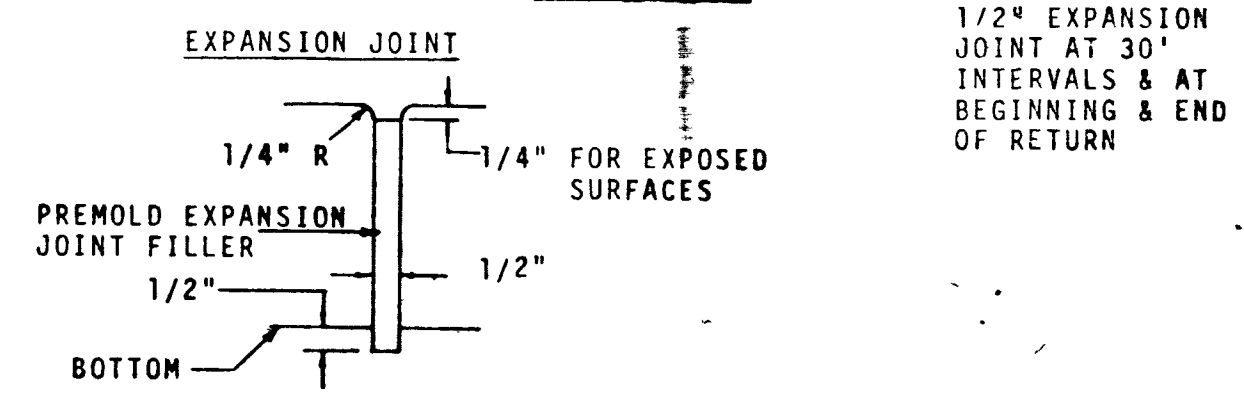
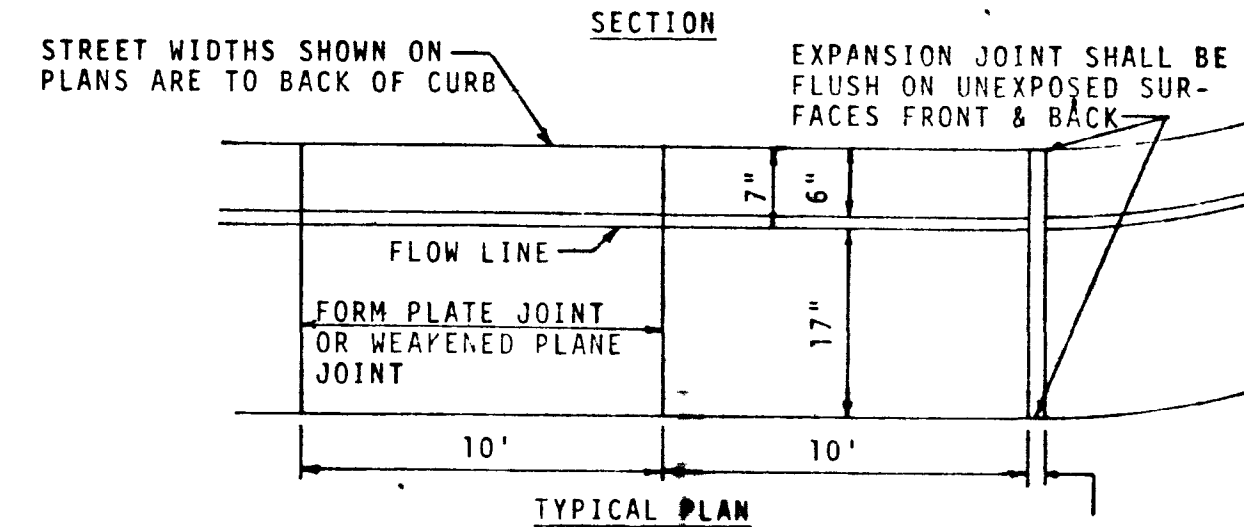
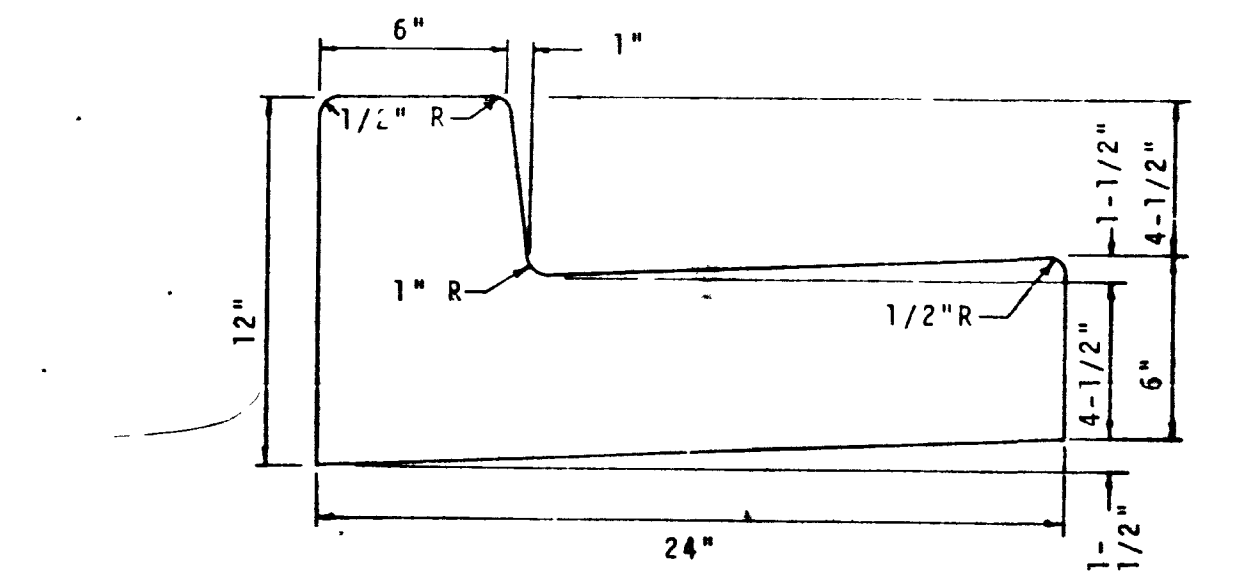


- NOTES:
1. CONCRETE TO BE 5.5 B 3000 CONCRETE
 2. 8" & 10" GUTTERS TO BE USED ON ALL MAJOR STREETS
 3. 6" VALLEY GUTTERS MAY BE USED ON MINOR, LIGHT TRAVELED STREETS
 4. LONGITUDINAL REINFORCING BARS: PLACE 7 - #4 BARS IN 10" VALLEY GUTTER PLACE 5 - #4 BARS IN 8" VALLEY GUTTER PLACE 3 - #4 BARS IN 6" VALLEY GUTTER
 5. TRANSVERSE REINFORCING BARS: PLACE #3 BARS AT 12" O.C.
 6. STEEL MESH DISCONTINUES AT EXPANSION JOINT
 7. SLOT TO BE CONSTRUCTED WHEN DIRECTED BY THE ENGINEER SEE DRAWING NUMBER 340.44.



NOTE: SIDEWALK TO SLOPE UP 1/4" PER FOOT FROM BACK OF CURB

VOLUME = 0.0461 C.Y./LIN. FT.



Bench Mark
 CLV BM-60-34-17 Located on top of curb @
 SE corner of Antelope Way & Peggy Drive
 400'± North of Charleston Blvd.
 Elev VTN Datum = 2447.50'
 Elev CLV Datum = 2445.72'
 VTN Datum - CLV Datum = 2447.50 - 2445.72 = 1.78

NOTICE TO CONTRACTOR

1. Contractor shall provide all necessary horizontal and vertical transition between new construction and existing surfaces to provide for proper drainage and of ingress and egress to said construction. Extent of transitions to be determined by the County Engineer.
2. Existing utilities are located on plans for the convenience of the contractor only. The contractor shall bear full responsibility for the protection of utilities and the engineer bears no responsibility for utilities not shown on plans or not in the location shown on the plans.
3. Construction to be per Uniform Standard Specifications and Drawings, Clark County, Nevada.

QUANTITY ESTIMATE

NO.	ITEM	AMOUNT
1	3" A. C. Paving	— S.Y.
2	2" A. C. Paving	8357 S.Y.
3	Concrete Valley Gutter (1 Ea)	484 S.F.
4	Curb and Gutter	3530 L.F.
5	5' Sidewalk	13985 S.F.
6	6' Sidewalk	— S.F.
7	5' x 6" Driveway Approaches (38 Ea)	3800 S.F.
8	6' x 6" Driveway Approaches	— S.F.
9	CLY Std Barricade	—

Note: Use Type II Cement in all Concrete Work.

ENGINEER'S CERTIFICATE

I hereby certify that these plans and/or specifications comply with F.H.A. objectives, minimum property standards and neighborhood requirements and represents the best of my judgment.

Charley R. Johnson 12/28/76
 Charley R. Johnson PE Date
 Nev Cert No 5003

vtm CONSULTING ENGINEERS • PLANNERS
 2209 PARADE ROAD LAS VEGAS, NEVADA 89005
 (702) 735-0227

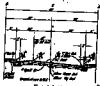
Charleston Rainbow
 Unit 14-D
 Improvement Details

SCALE	VERTICALS	WO NO	DATE	SHEET	OF
		1046-14D	12/28/76	1	7
HORIZ.	DES.	REV.	REV.		
VERT.	CHK.	REV.	REV.		

3706 107 y - 1055 - 14 D



Beam and Column Joint



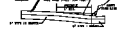
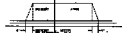
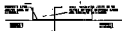
Beam and Column Joint



Beam and Column Joint



Beam and Column Joint



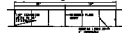
Beam and Column Joint



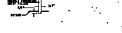
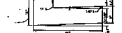
Beam and Column Joint



Beam and Column Joint



Beam and Column Joint



Beam and Column Joint

- NOTES TO ARCHITECT
1. Reinforcement shall consist of all reinforcing bars and stirrups shown on these drawings and shall be installed in accordance with the provisions of the ACI Code of Practice for Reinforced Concrete Structures, 1963 Edition, and the provisions of the ACI Code of Practice for Reinforced Concrete Structures, 1971 Edition, and the provisions of the ACI Code of Practice for Reinforced Concrete Structures, 1985 Edition, and the provisions of the ACI Code of Practice for Reinforced Concrete Structures, 1995 Edition.
 2. Reinforcement shall be installed in accordance with the provisions of the ACI Code of Practice for Reinforced Concrete Structures, 1963 Edition, and the provisions of the ACI Code of Practice for Reinforced Concrete Structures, 1971 Edition, and the provisions of the ACI Code of Practice for Reinforced Concrete Structures, 1985 Edition, and the provisions of the ACI Code of Practice for Reinforced Concrete Structures, 1995 Edition.
- | NO. | DESCRIPTION | QUANTITY | UNIT |
|-----|---------------------------|----------|------|
| 1 | #4 U. S. Bars | 1000 | LBS. |
| 2 | #4 U. S. Bars | 1000 | LBS. |
| 3 | Reinforcing Stirrups (#4) | 1000 | LBS. |
| 4 | Reinforcing Bars (#4) | 1000 | LBS. |
| 5 | #4 Bars | 1000 | LBS. |
| 6 | #4 Bars | 1000 | LBS. |
| 7 | #4 Bars | 1000 | LBS. |
| 8 | #4 Bars | 1000 | LBS. |
| 9 | #4 Bars | 1000 | LBS. |
| 10 | #4 Bars | 1000 | LBS. |

After the Start of Work on this Work

REVISIONS

1. Working drawings shall show the location and extent of all work to be done on this project.

2. All work shall be done in accordance with the provisions of the ACI Code of Practice for Reinforced Concrete Structures, 1963 Edition, and the provisions of the ACI Code of Practice for Reinforced Concrete Structures, 1971 Edition, and the provisions of the ACI Code of Practice for Reinforced Concrete Structures, 1985 Edition, and the provisions of the ACI Code of Practice for Reinforced Concrete Structures, 1995 Edition.

VOLUME		REVISIONS	
Number		Date	
Description		By	
NO.	DATE	BY	CHK.
1			
2			