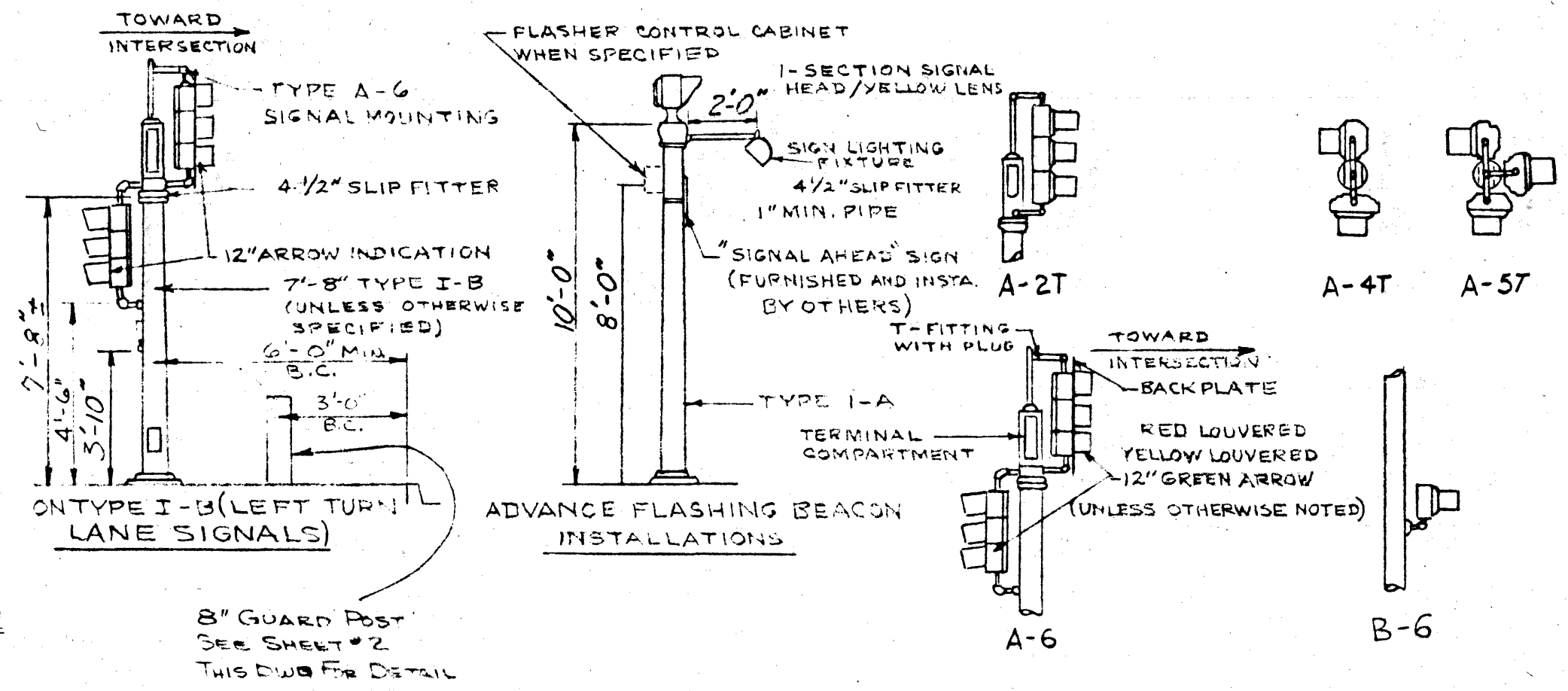
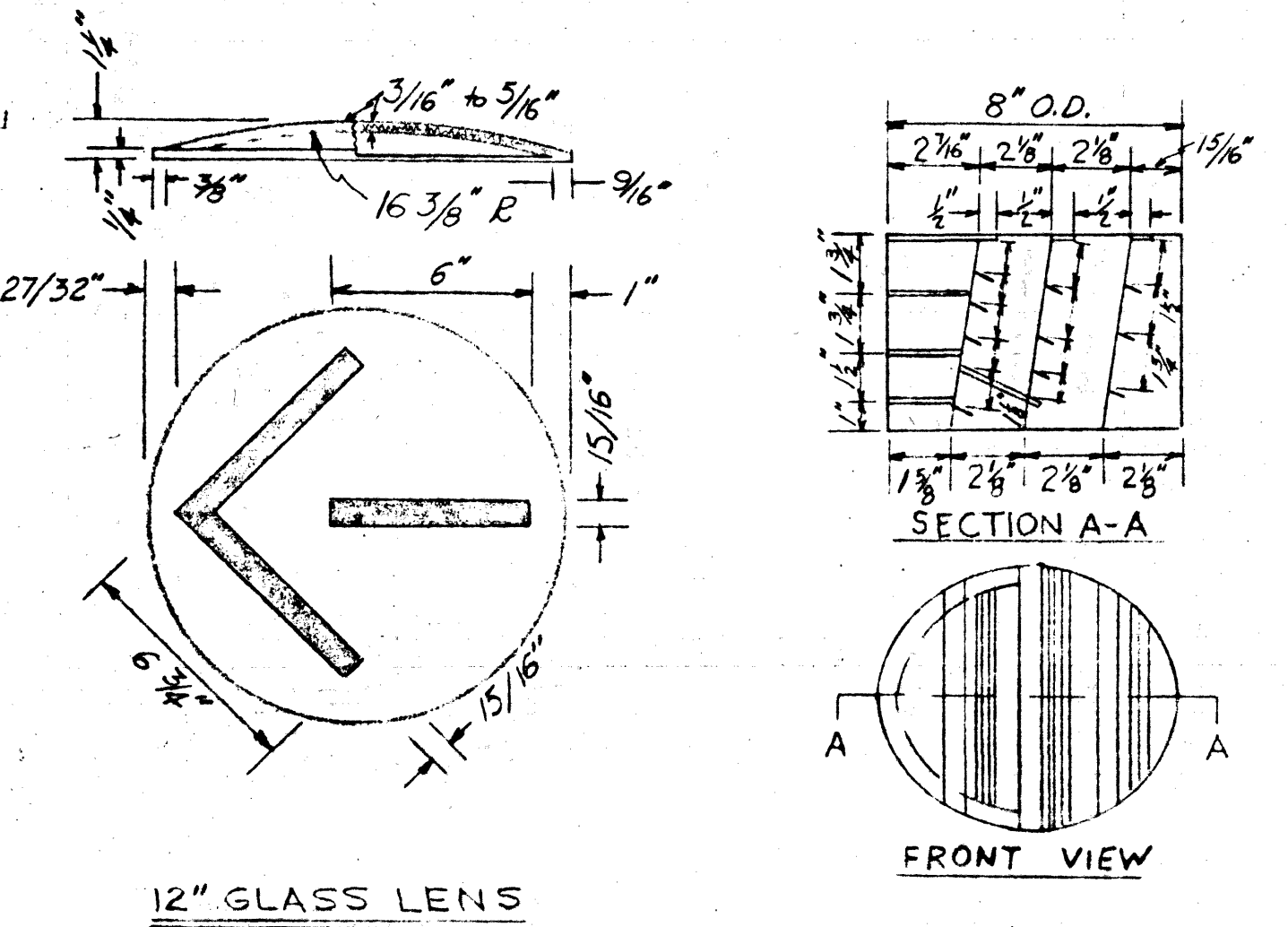
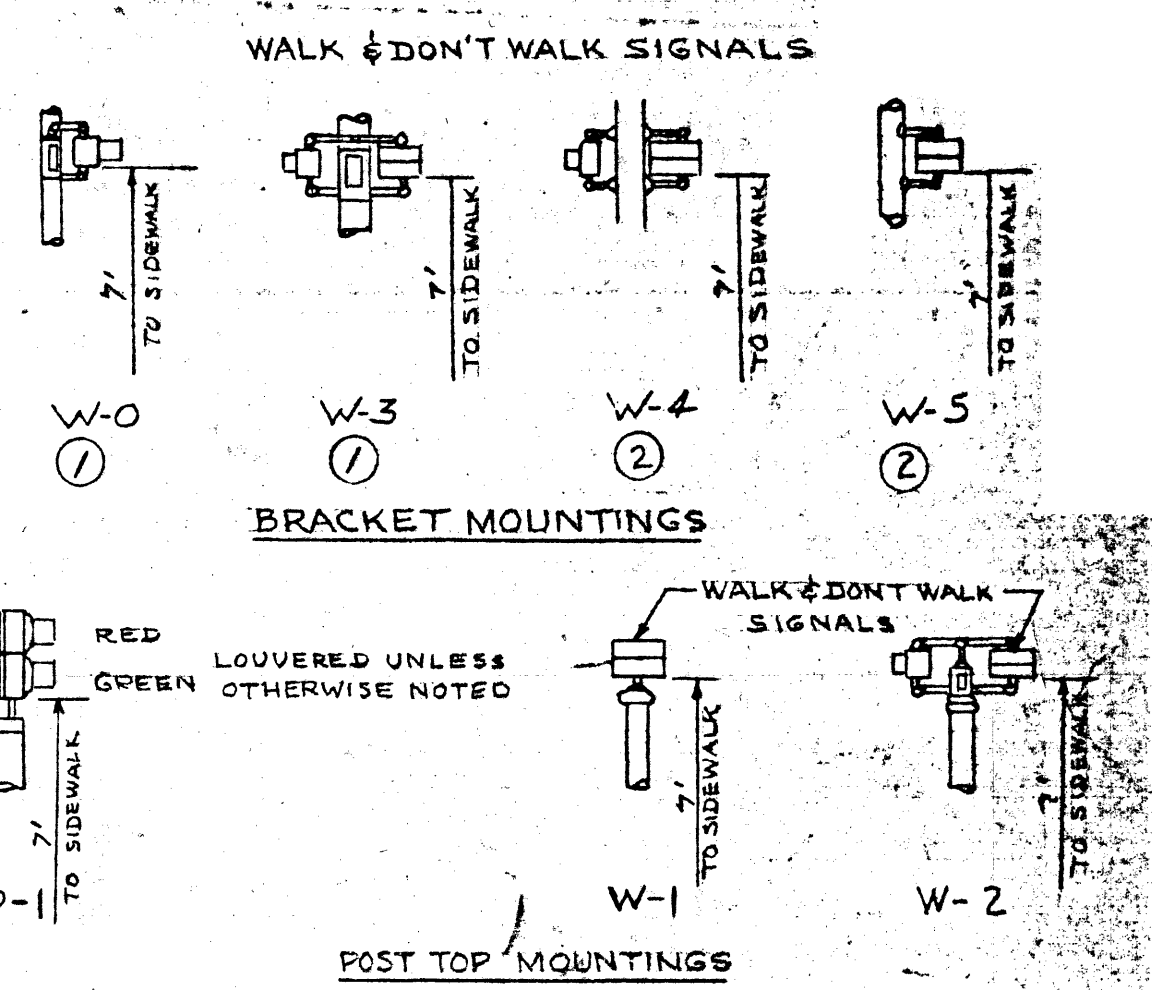


TYPICAL EQUIPMENT MOUNTINGS
NO SCALE



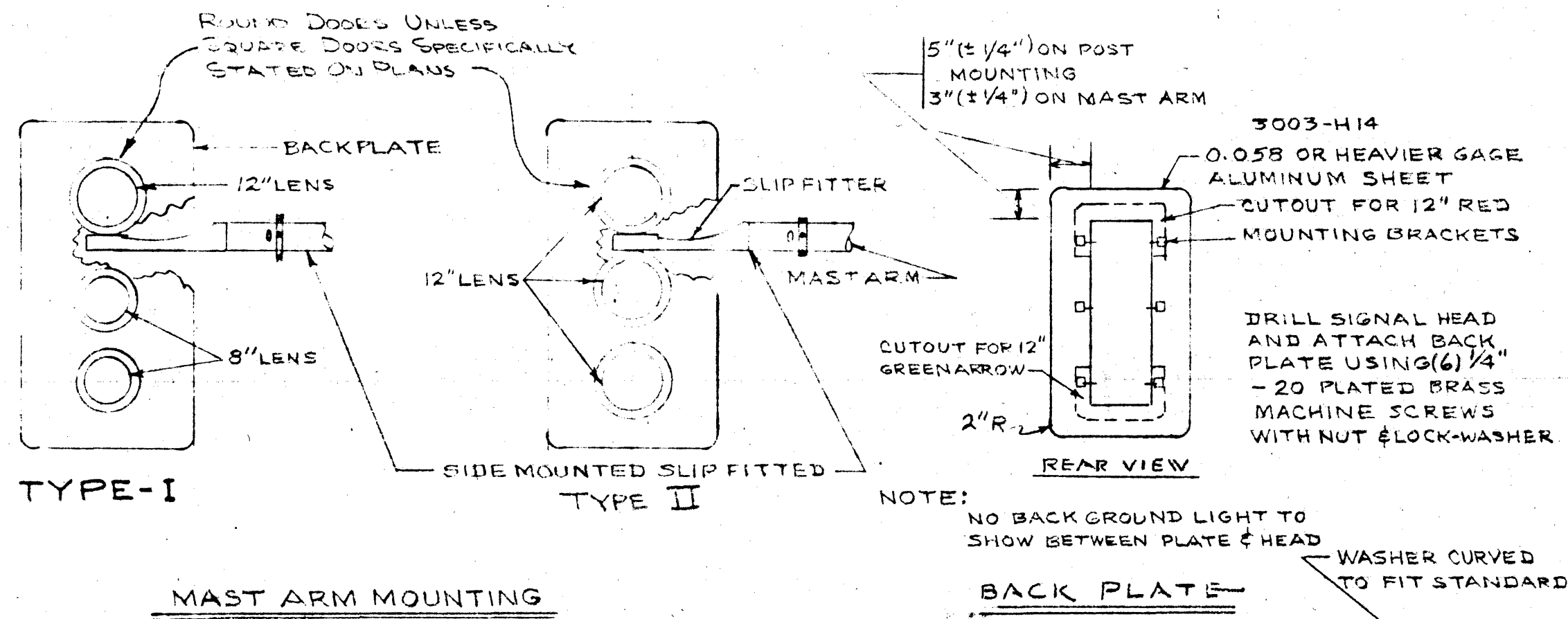
NOTES:
1-MOUNTING INCLUDES TERMINAL COMPARTMENT (SHOWN FOR ILLUSTRATIVE PURPOSES ONLY, ACTUAL LOCATION ON SIDE OF STANDARD AWAY FROM TRAFFIC).
2-SPECIAL MOUNTINGS TO BE USED ONLY WHEN INDICATED ON PLANS.

VEHICULAR AND PEDESTRIAN SIGNAL MOUNTINGS

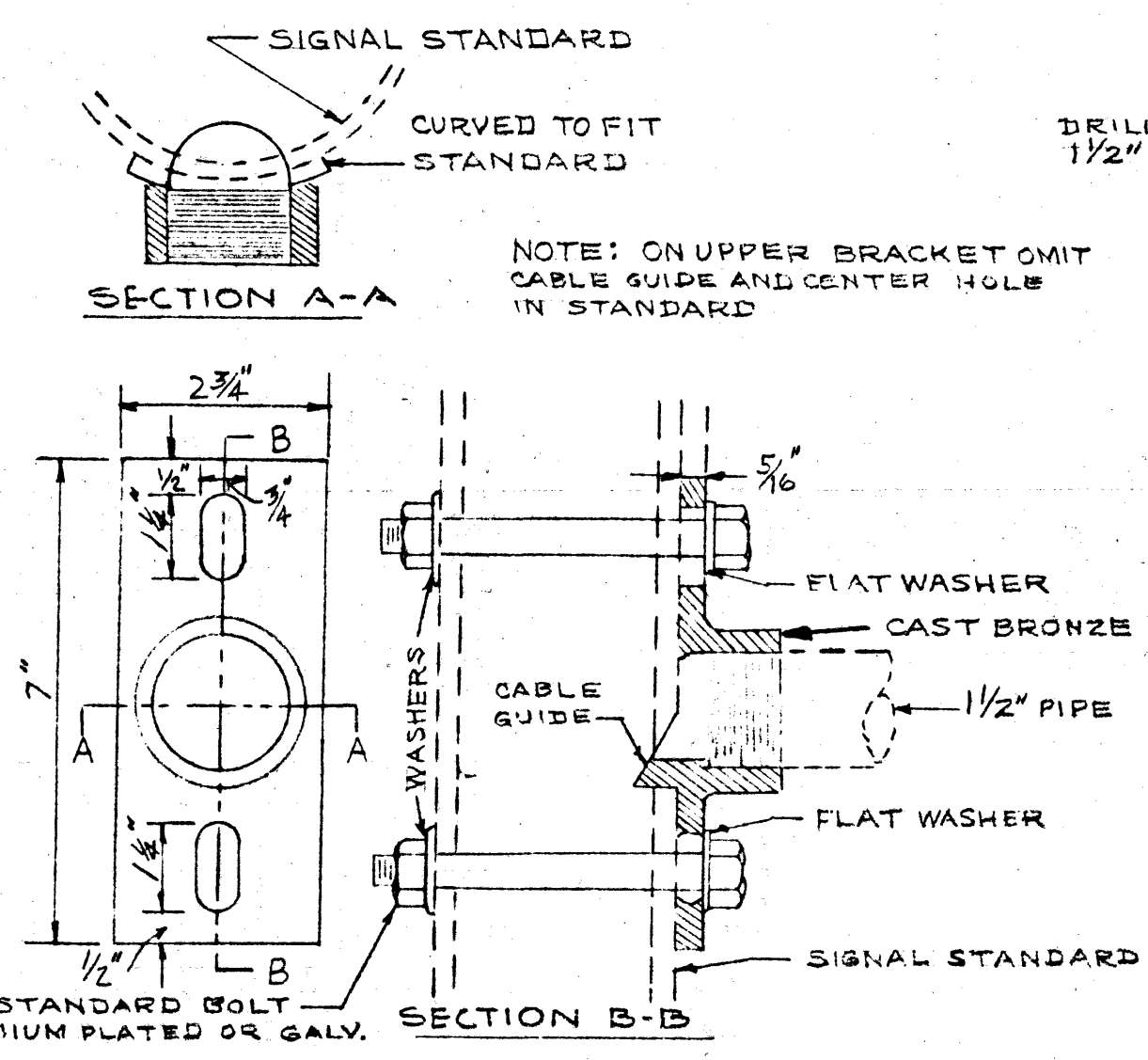


NOTE:
LOUVERS AND LENS PLATES SHALL BE SECURED IN PLACE WITH ONE PLATED BRASS MACHINE SCREW AND NUT AND ORIENTED AS DIRECTED BY ENGINEER.

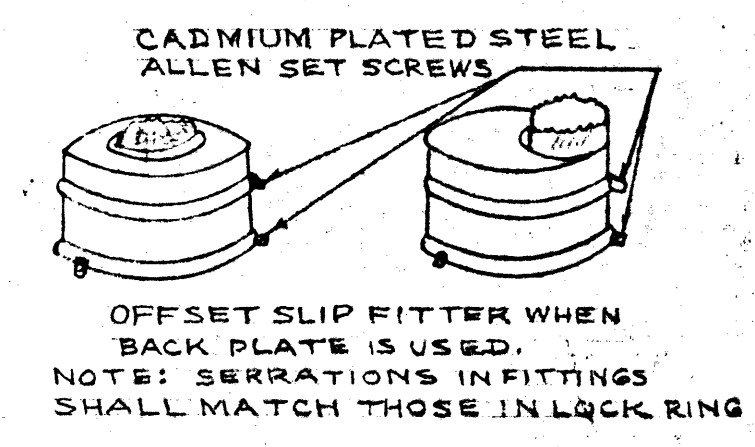
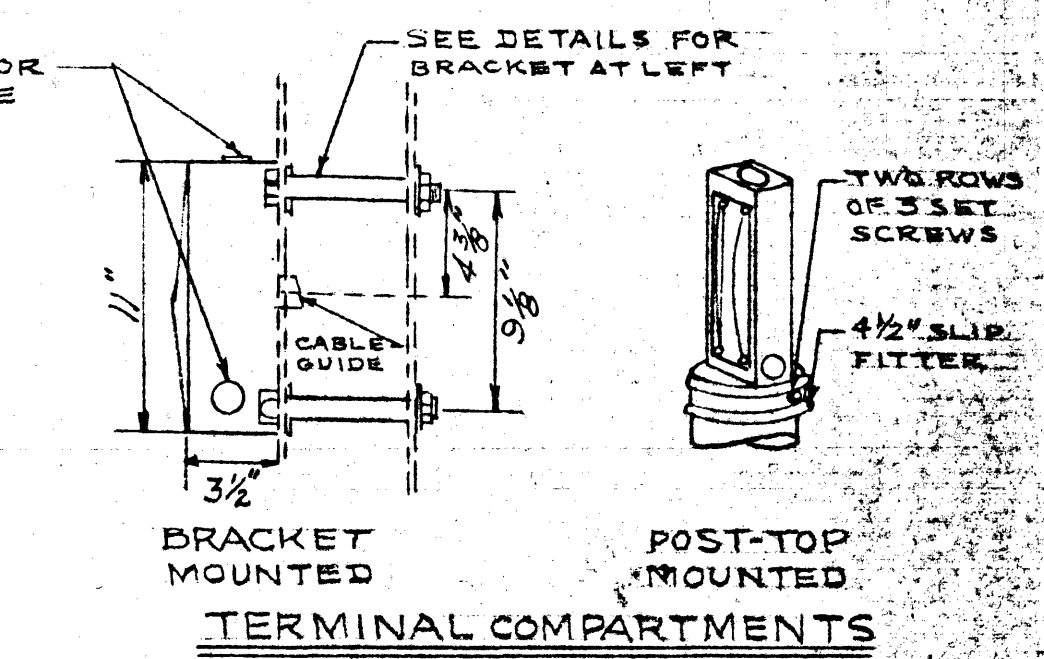
SIGNAL HEAD ACCESSORIES
NO SCALE



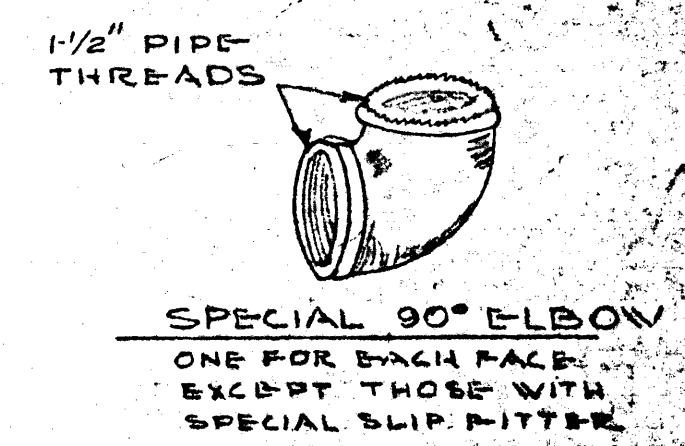
NOTE:
NO BACK GROUND LIGHT TO SHOW BETWEEN PLATE & HEAD



BRACKET FOR SIGNAL MOUNTING
NO SCALE

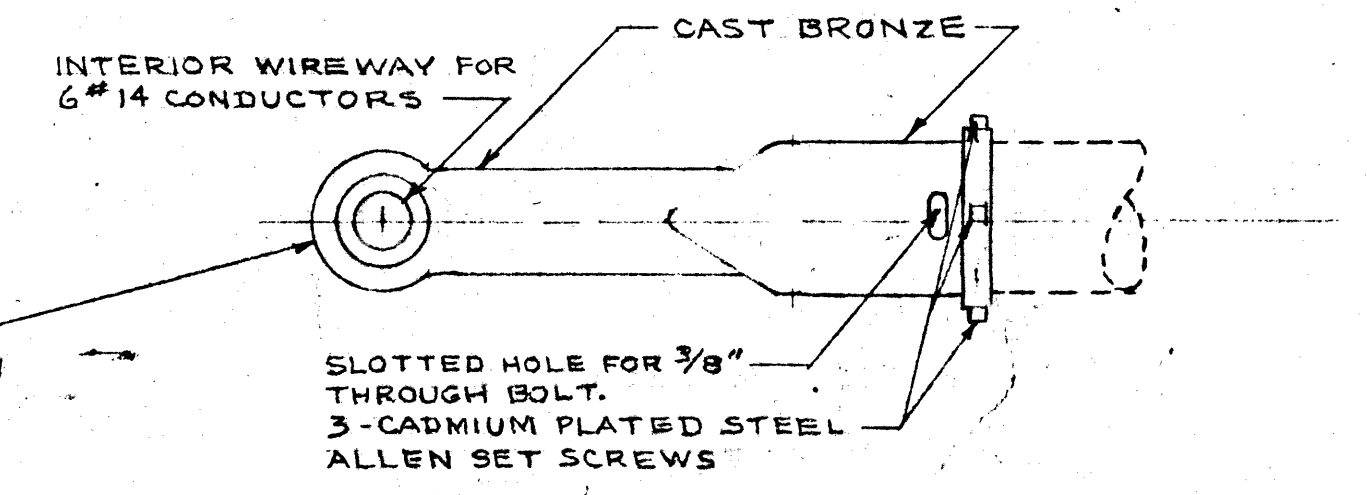


SLIP FITTER FOR POST TOP MOUNTING
NO SCALE



NOTE:
1- POST TOP, BRACKET AND MAST ARM MOUNTINGS SHALL BE UTILIZED PER PLAN SCHEDULE.
2- BACK PLATES SHALL BE INSTALLED AS INDICATED ON THE PLANS.

AFTER SIGNAL HAS BEEN PLUMBED AND SECURED DRILL 1/16" HOLE THROUGH MAST ARM IN LINE WITH HOLE THROUGH SLIP FITTER. PLACE 3/8" GALVANIZED BOLT WITH WASHER UNDER HEAD THROUGH HOLE AND SECURE WITH TWO NUTS AND A WASHER.



SIGNAL HEAD ATTACHMENT DETAILS
NO SCALE

APPROVED BY: TRAFFIC ENGINEER

CONTRACT DRAWING
MAY 8, 1963
FEB 22, 1963

CITY OF LAS VEGAS NEVADA ENGINEERING DEPT.	
TRAFFIC SIGNAL STANDARDS BRACKETS & MOUNTINGS	
NO. BY	DATE
1 LAM	8-15-63
2 LAM	1-21-64
APPROVED BY CITY ENGR.	
DRAWING NO. 107-V594	

NO.	BY	DESCRIPTION	DATE
1	LAM	CHANGED TYPE II, III, & IV STANDARDS TO MOD. TYPE II, MOD. TYPE III & MOD. TYPE IV	8-15-63
2	LAM	LOCATION DIM. ON TYPE I-B SIGNALS	1-21-64
		ROUND DOOR NOTE ON MAST ARM MTS.	

