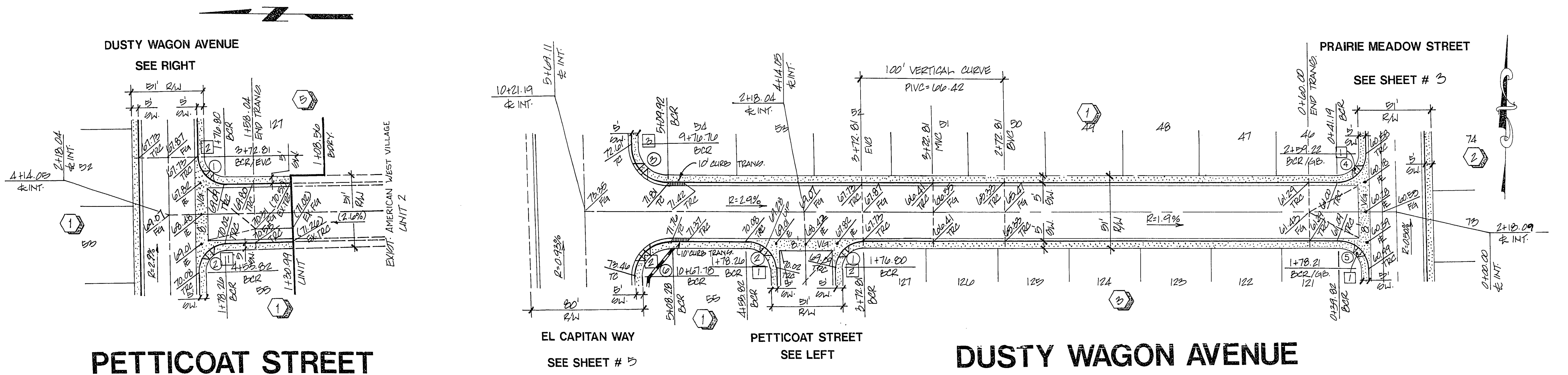


AMERICAN WEST HOMES, INC.
 CITY OF LAS VEGAS, NEVADA

CONSULTING ENGINEERS • PLANNERS • LAND SURVEYORS
 2727 SOUTH RAINBOW BOULEVARD
 LAS VEGAS, NEVADA 89102-5148 PHONE (702) 873-7550 FAX (702) 362-2597

DATE: 9/11/94
 BY: [Signature]
 REVISION: [Table with 3 columns: REV, DATE, BY]



TITLE: STREET PLAN & PROFILE
 PROJECT: PETTICOAT STREET / DUSTY WAGON AVENUE
 AMERICAN WEST VILLAGE
 UNIT 3

BENCHMARK
 BM # 0LV0017NES
 2 X 2 PLATE, SW CORNER CHEYENNE AND RAMPART.
 ELEVATION = 2448.33

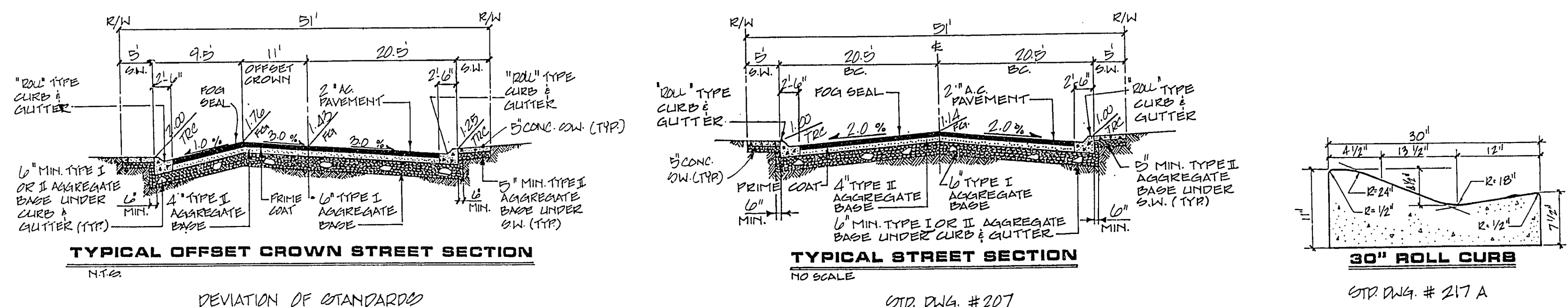
2 working days
 Call before you Dig
 1-800-227-2600

SW RAMP DATA

NO.	"A"	"B"
1	0'-0"	0'-0"
2	15'-0"	4'-6"
3	9'-6"	4'-6"

BACK OF CURB CURVE DATA

CURVE	RADIUS	LENGTH	TANGENT	DELTA
1	20.00'	31.78'	20.20'	91°01'51"
2	20.00'	31.78'	19.164'	88°58'09"
3	20.00'	31.78'	24.992'	88°58'09"
4	20.00'	31.78'	20.34'	90°58'18"
5	20.00'	31.08'	19.66'	89°01'42"
6	20.00'	29.71'	20.48'	91°01'51"



NO. 4490-2
 BY: DE WUR
 DATE: DEC., '93
 SCALE: 1" = 4'
 SHEET: 2 OF 4 SHEETS

1514-127
 1074-4325-2