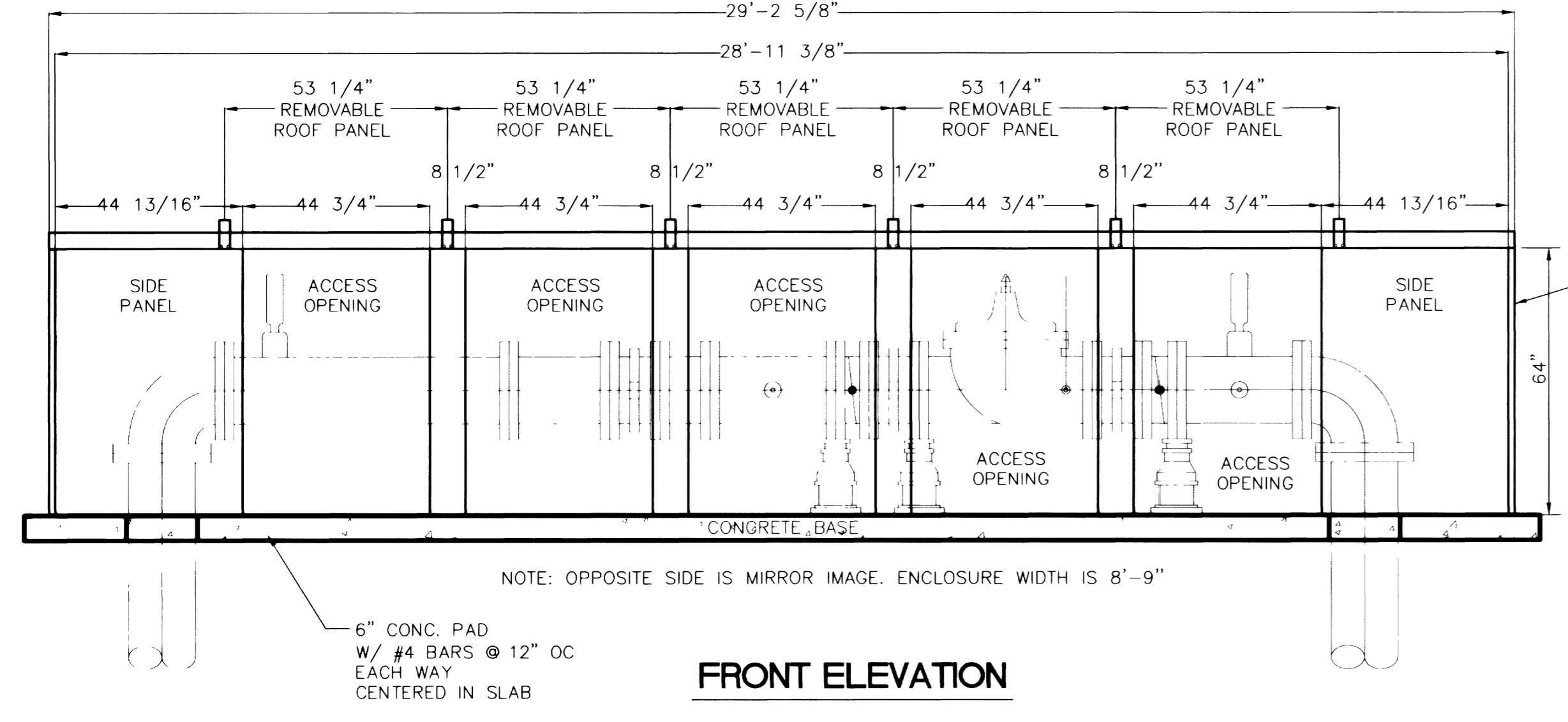


**TYPICAL SECTION**  
NOT TO SCALE

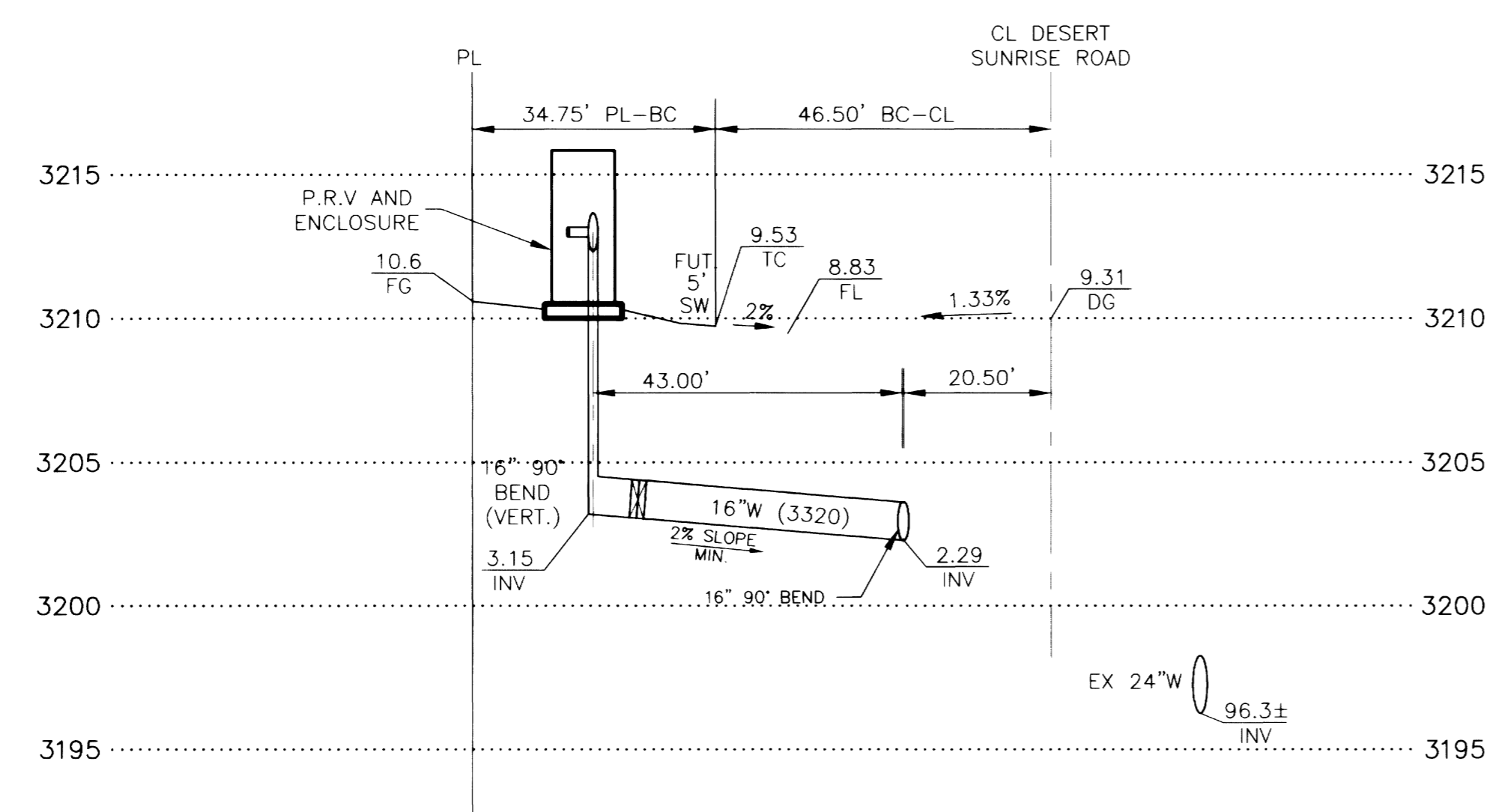
6



**FRONT ELEVATION**

**PRV ENCLOSURE DETAIL**  
NOT TO SCALE

5

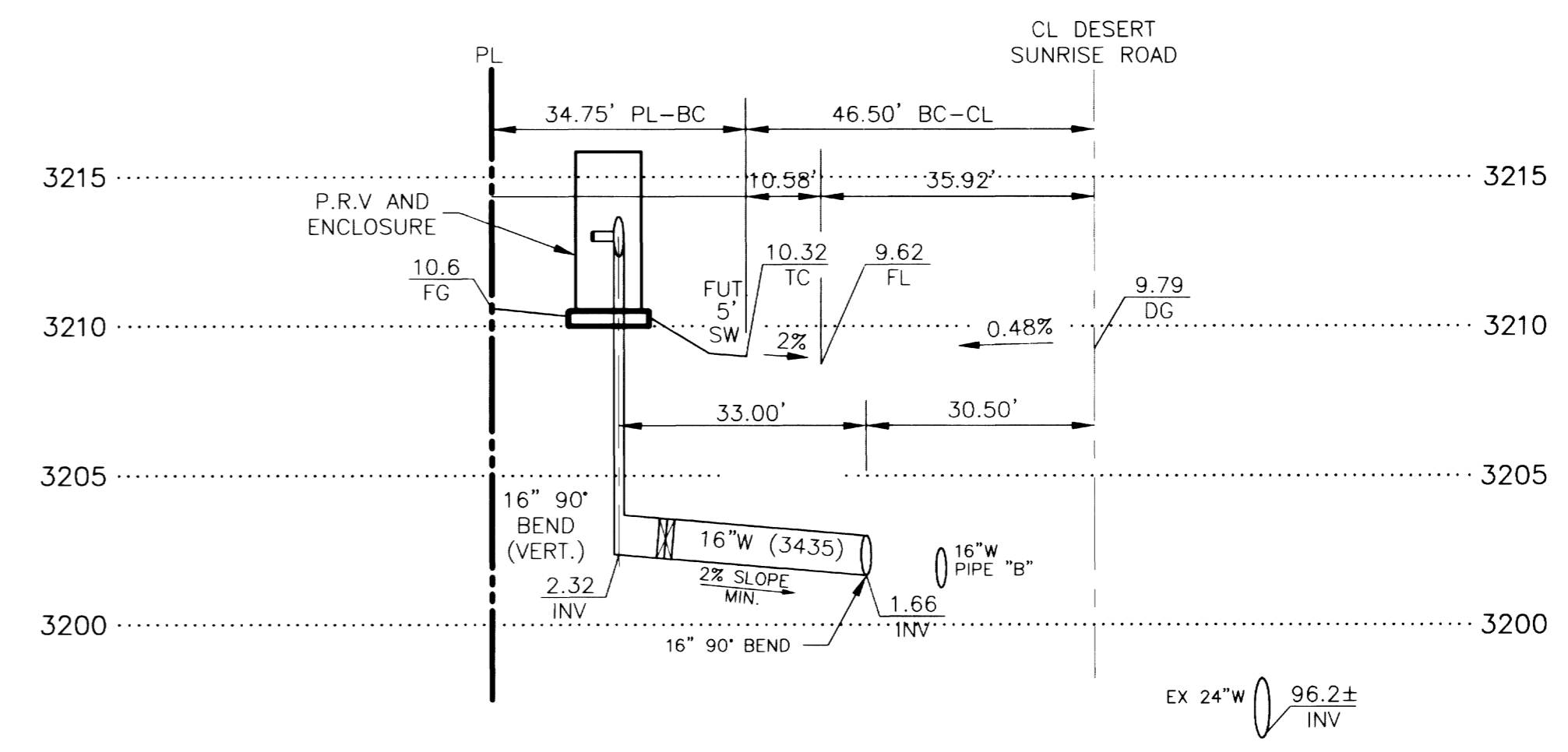


**STA. 11+66.73, DESERT SUNRISE ROAD**  
**PIPE 'B' (SEE SHEET C4)**

16" DIP OUTFLOW PROFILE (3320 ZONE)

NOT TO SCALE

4

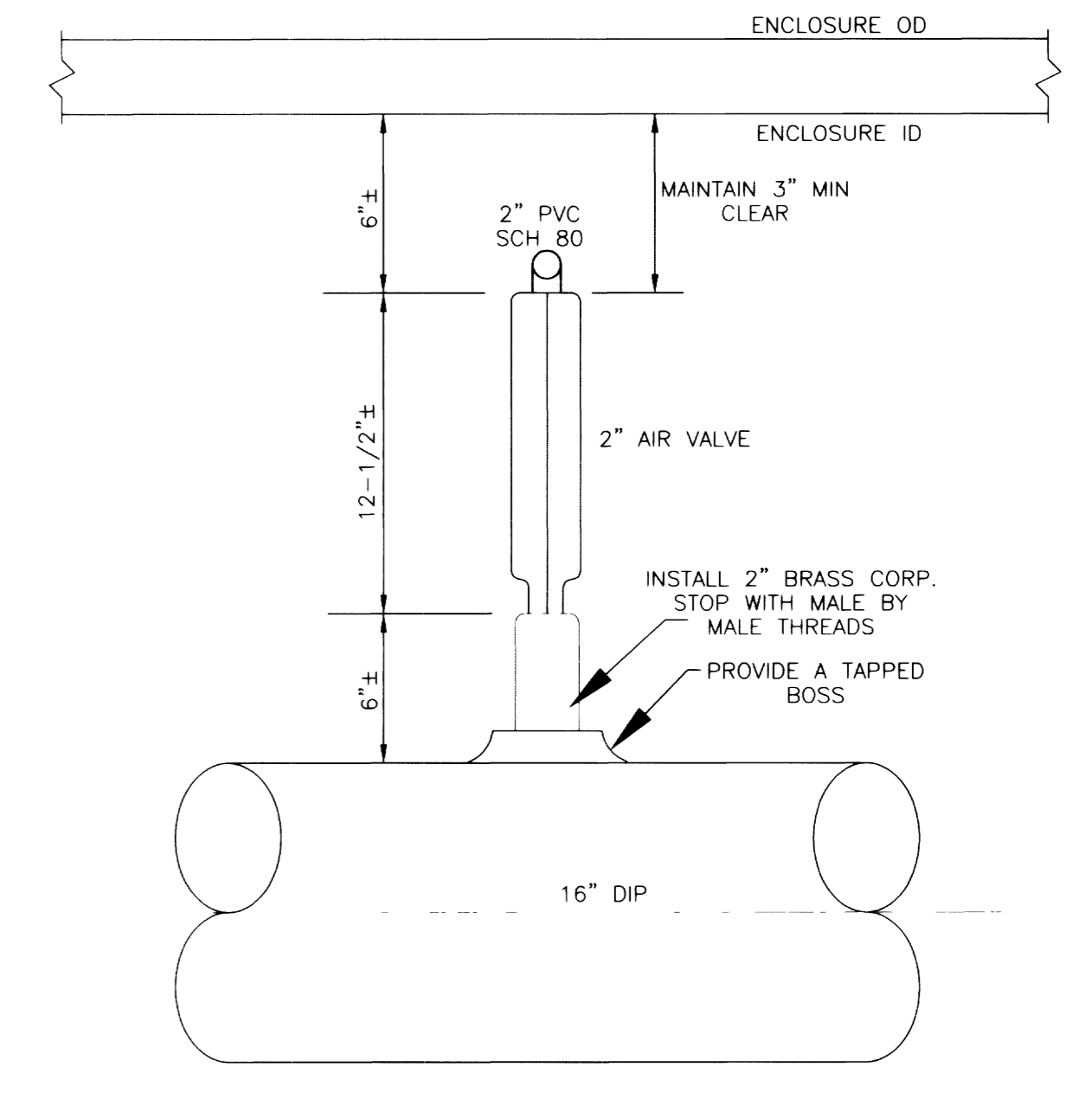


**STA. 2+42.78, DESERT SUNRISE ROAD**  
**PIPE 'A' (SEE SHEET C4)**

16" DIP INFLOW PROFILE (3435 ZONE)

NOT TO SCALE

3



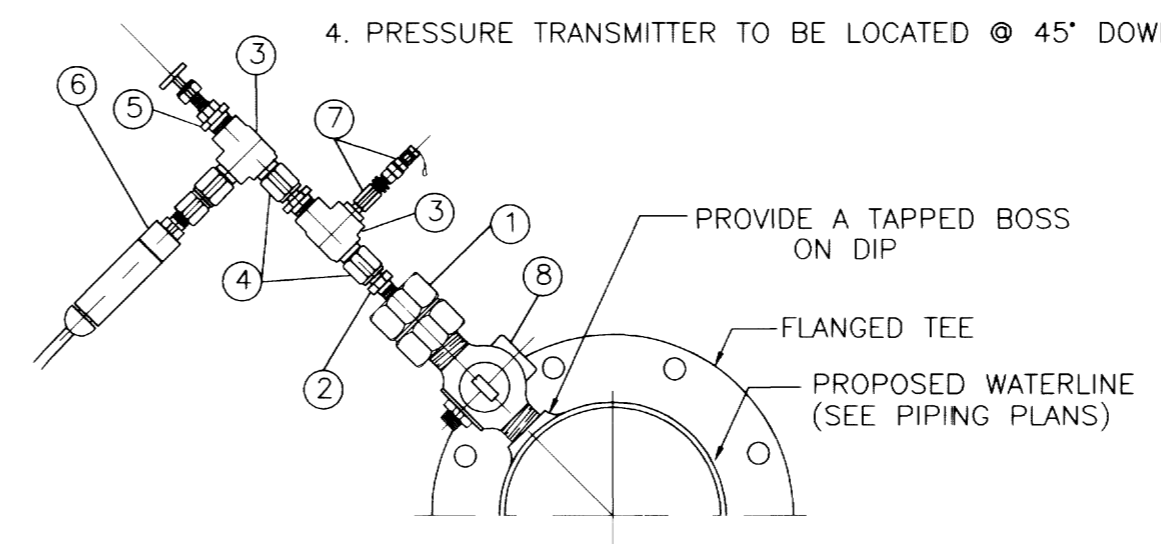
**2" AIR VALVE DETAIL**

NOT TO SCALE

1

**NOTES:**

1. USE CHESTERTON GOLD END 900 PASTE, OR EQUAL ON ALL THREADS.
2. TIGHTEN ALL SWAGelok TUBE FITTINGS TO SWAGelok SPECIFICATIONS.
3. PROVIDE BOSS WITH 1" I.P. THREADED HOLE. TYPICAL FOR EACH INSTALLATION.
4. PRESSURE TRANSMITTER TO BE LOCATED @ 45° DOWNWARD.



ITEM	QTY	DESCRIPTION
①	1	SWAGelok, SS-16-HRCE-8, 1" x 1/2", HEX REDUCING COUPLING.
②	1	SWAGelok, SS-8-TA-1-8, 1/2" x 1/2", MALE ADAPTER.
③	2	SWAGelok, SS-810-3-8IFT, FEMALE RUN TEE.
④	2	SWAGelok, SS-TA-7-4, 1/2" x 1/4", FEMALE ADAPTER.
⑤	1	ANDERSON, GREENWOOD & CO., V6VS-4, BLEEDING VALVE
⑥	1	KELLER PSI, MODEL 240S PRESSURE TRANSMITTER, 150 PSIG
⑦	1	QUICK DISCONNECT FITTING SWAGelok QC4-B-4PF STAINLESS STEEL WITH QC4-SP PROTECTOR CAP
⑧	1	FORD FB - 500 - 4, 1" CORPORATION STOP, IRON PIPE THD.

**PRV PRESSURE TRANSMITTER ASSEMBLY**

NOT TO SCALE

2

