

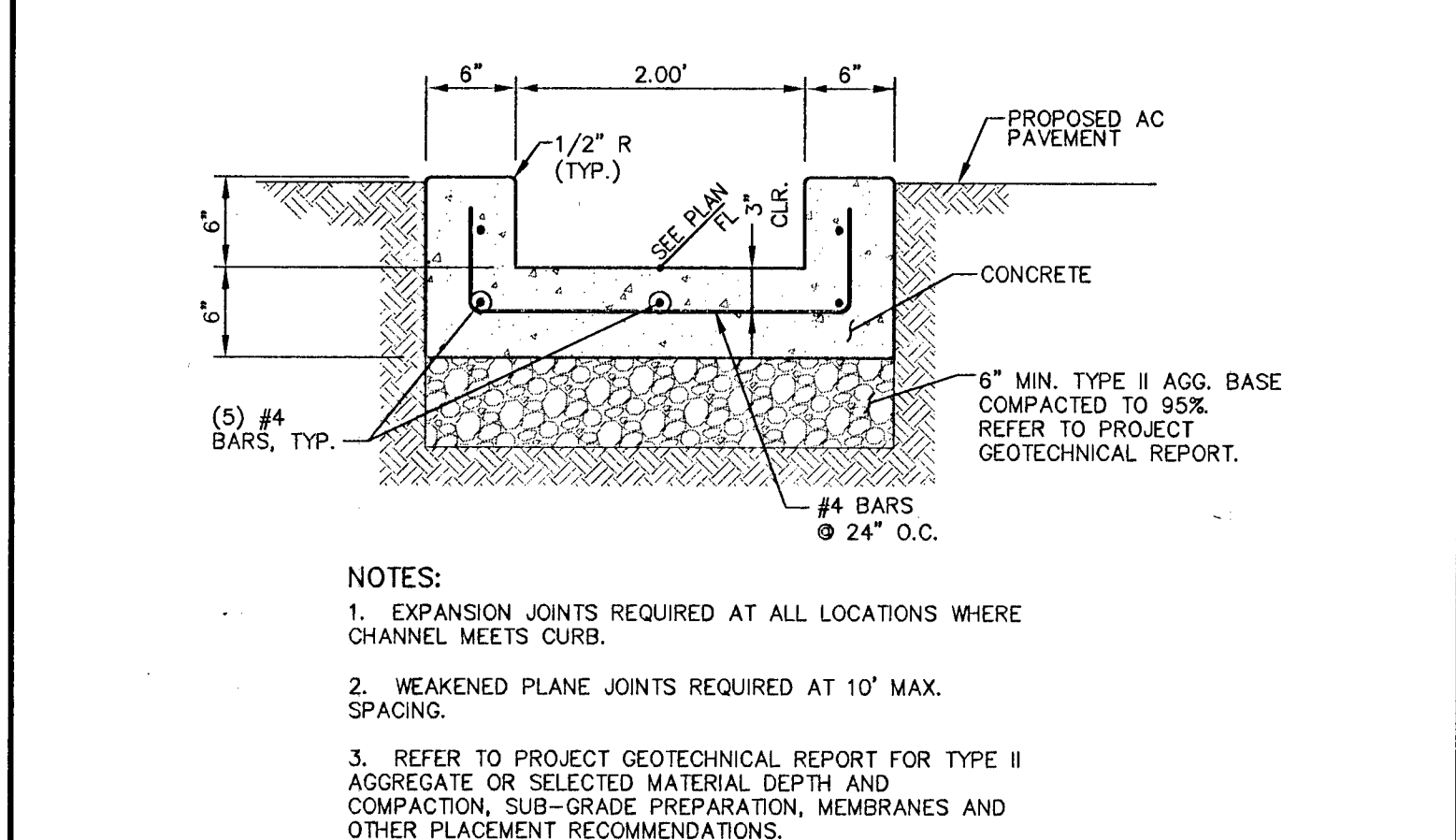
THICKNESS SCHEDULE

TRAFFIC AREA	ASPHALT	BASE COURSE
PARKING SPACES	2.5"	6"
DRIVE AISLES	3"	6"

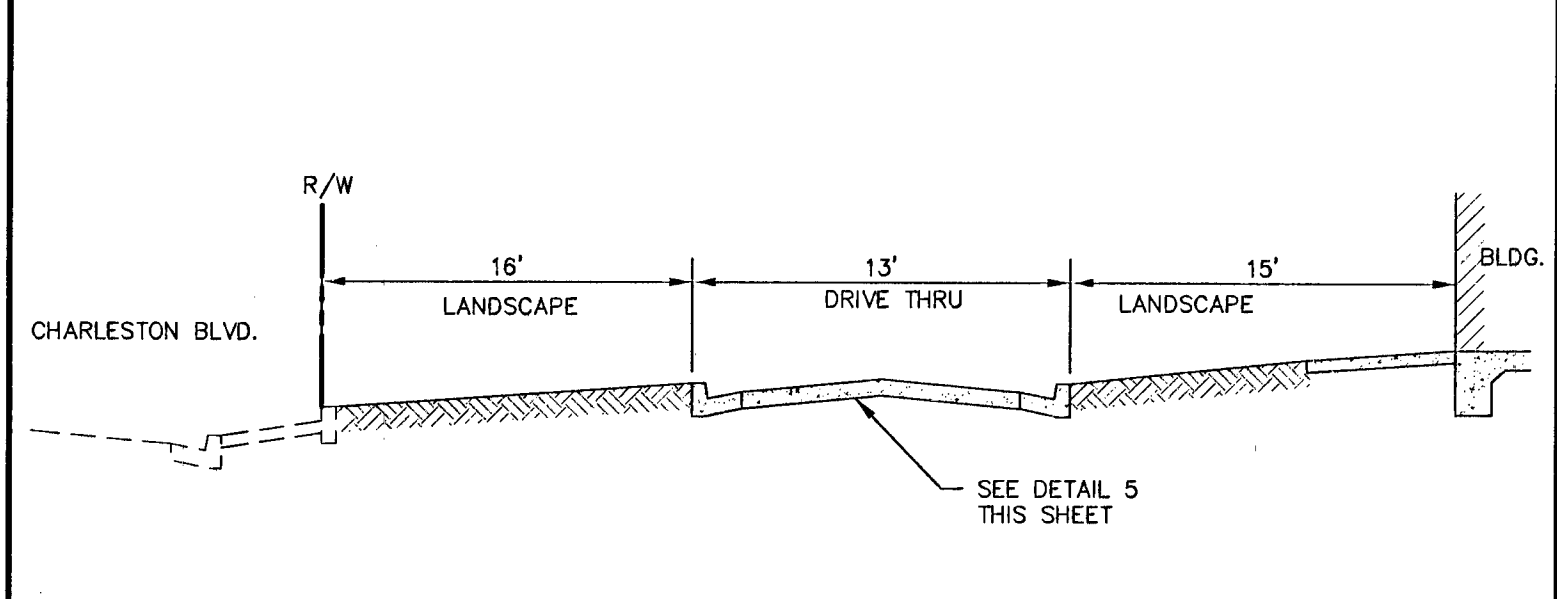
TRAFFIC AREA	PCC	BASE COURSE
DRIVE THRU	5"	6"

REFER TO GEOTECHNICAL EVALUATION, PAVEMENT RECOMMENDATIONS, PROJECT NO. 4123.0068, ADDENDUM NO.2 PREPARED BY WESTERN TECHNOLOGIES, INC. DATED MAY 7, 2014.

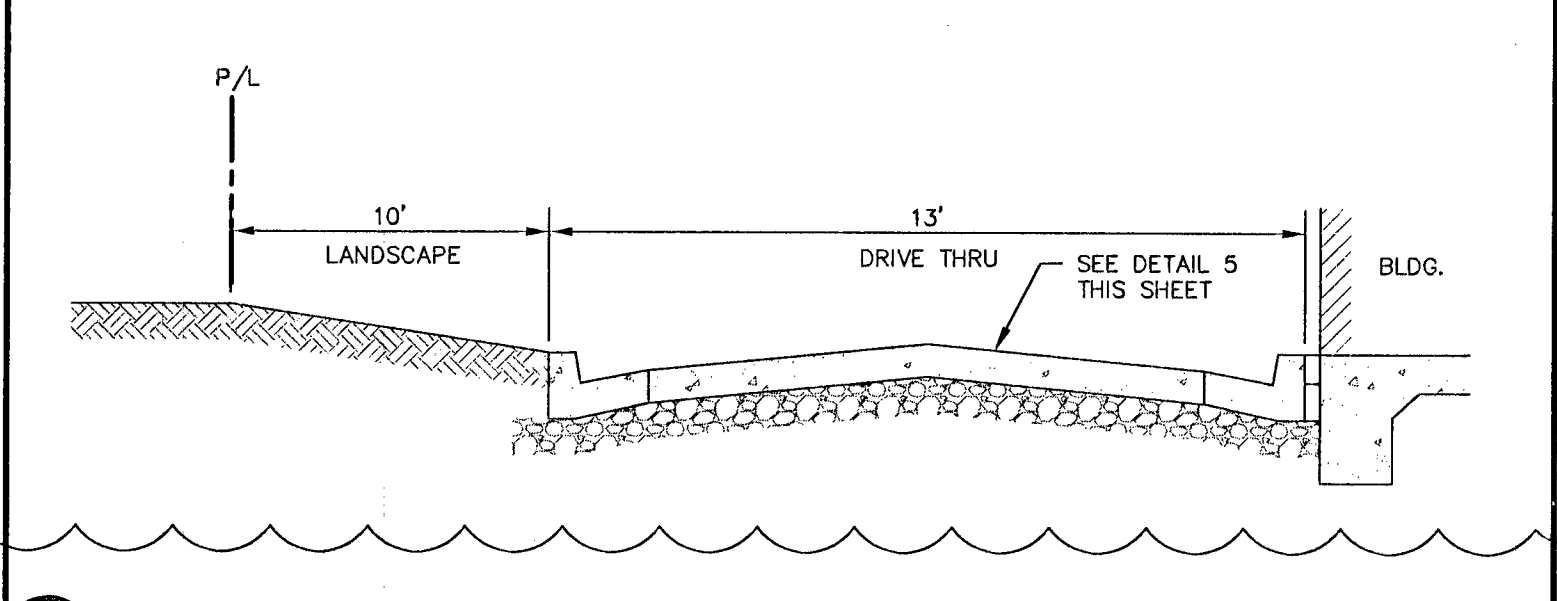
5 ON-SITE TYPICAL PAVEMENT SECTIONS NOT TO SCALE



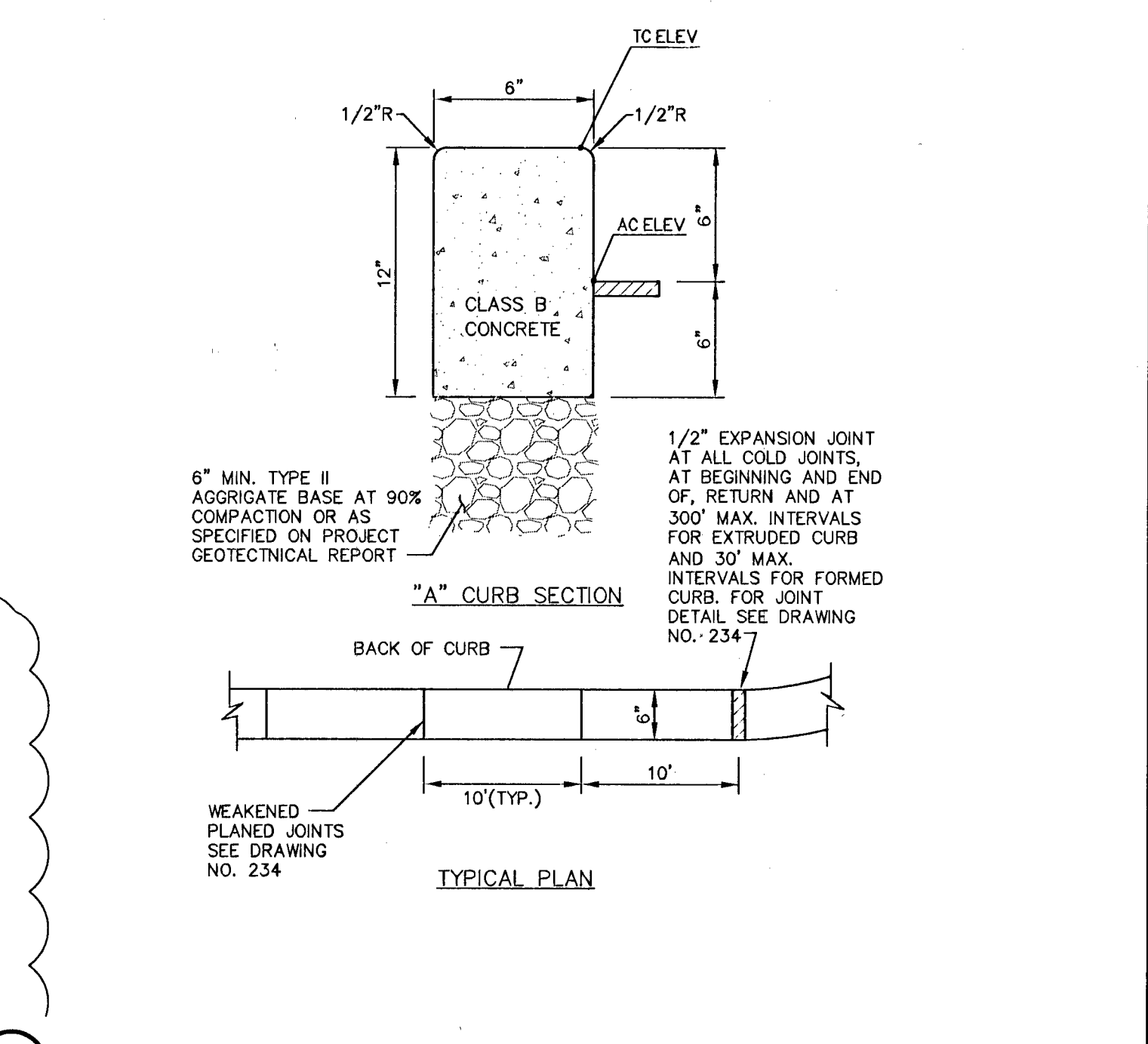
4 ON-SITE CONCRETE "U" CHANNEL SECTION NOT TO SCALE



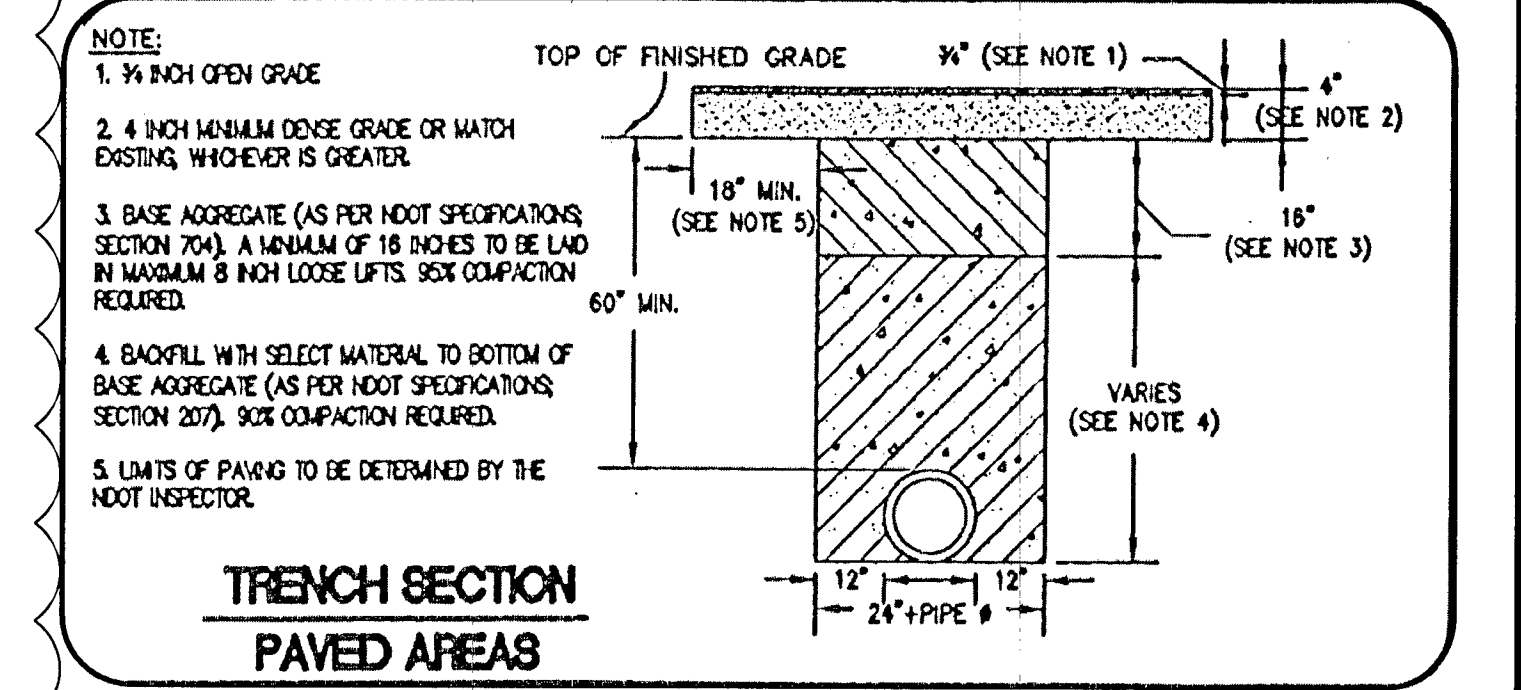
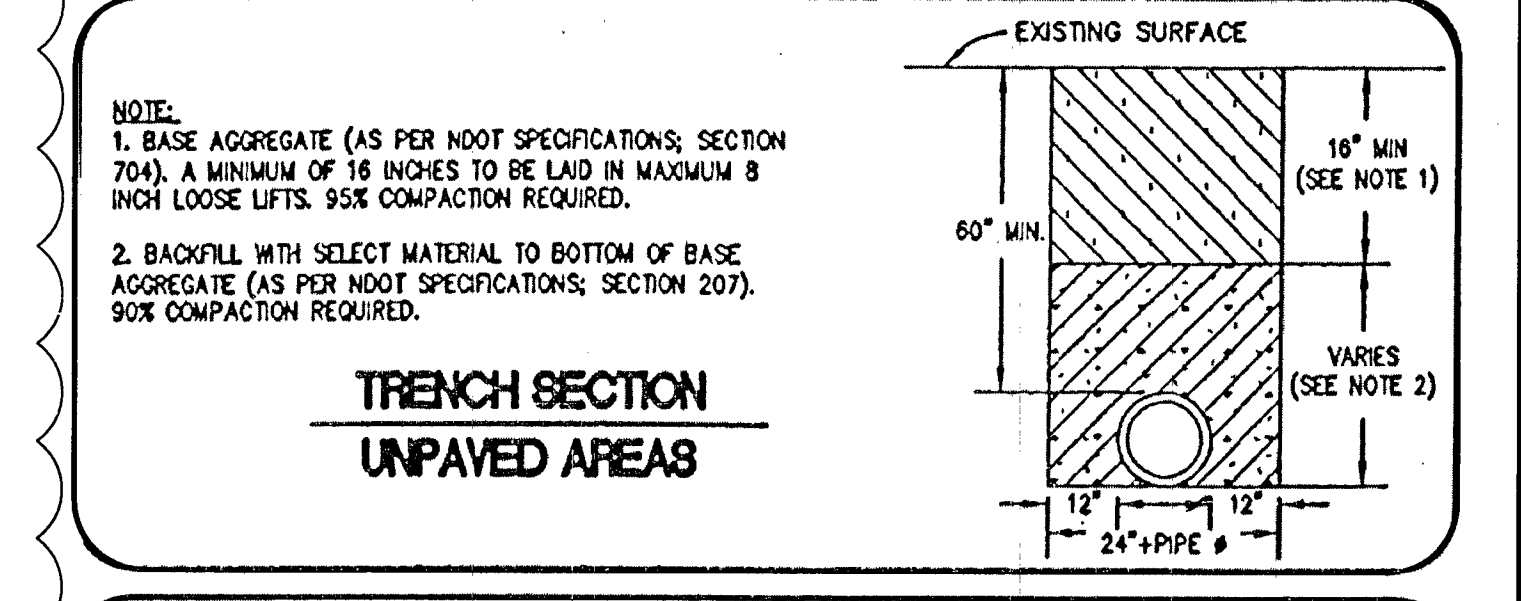
B SECTION NOT TO SCALE



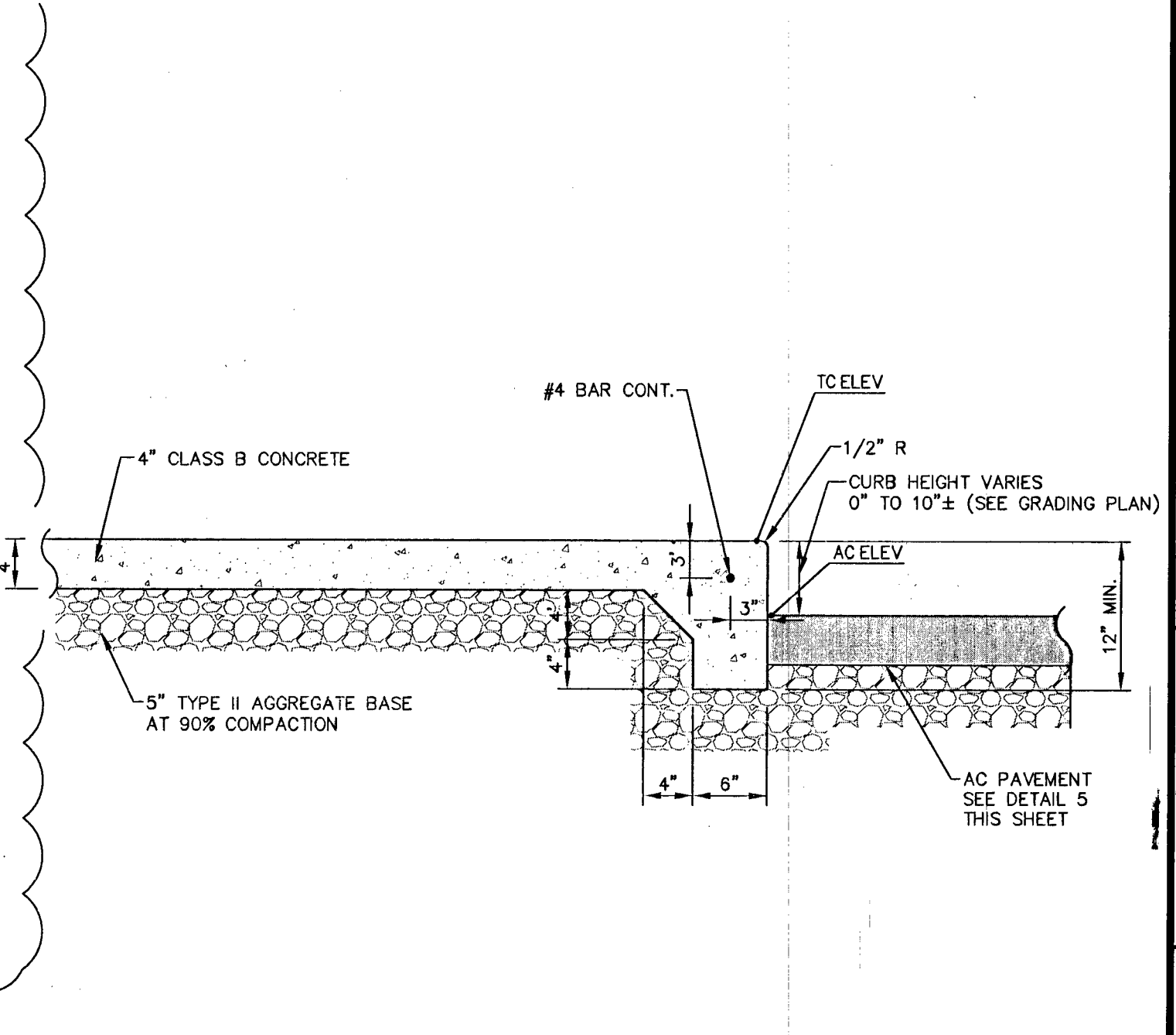
A SECTION NOT TO SCALE



3 ON-SITE 'A' CURB DETAIL NOT TO SCALE



2 TRENCH DETAIL NOT TO SCALE



1 ON-SITE SIDEWALK DETAIL NOT TO SCALE

Lochsa engineering

6346 South Jones Blvd.
Suite 100
Las Vegas, NV 89118
Phone (702) 365-9372
Fax (702) 365-9377
www.lochsa.com

REVISIONS

NO.	DATE	BY	DESCRIPTION
1	7/28/14	CP	REVISED TO FURNISH BIDS

DETAIL SHEETS

MISCELLANEOUS DETAILS

THE FAMILY CENTER RETAIL PAD
4833 WEST CHARLESTON BLVD.
CITY OF LAS VEGAS, NV

SHEET No. 131071

PROJECT No. 131071

DATE: 4-2-2014

SCALE: NOT TO SCALE

DRAWN BY: _____

DESIGNED BY: CP

CHECKED BY: TE

SEAL

CIVIL ENGINEER - STATE OF NEVADA

8/15/14

SHEET No. C3.00

8 OF 8

10716244