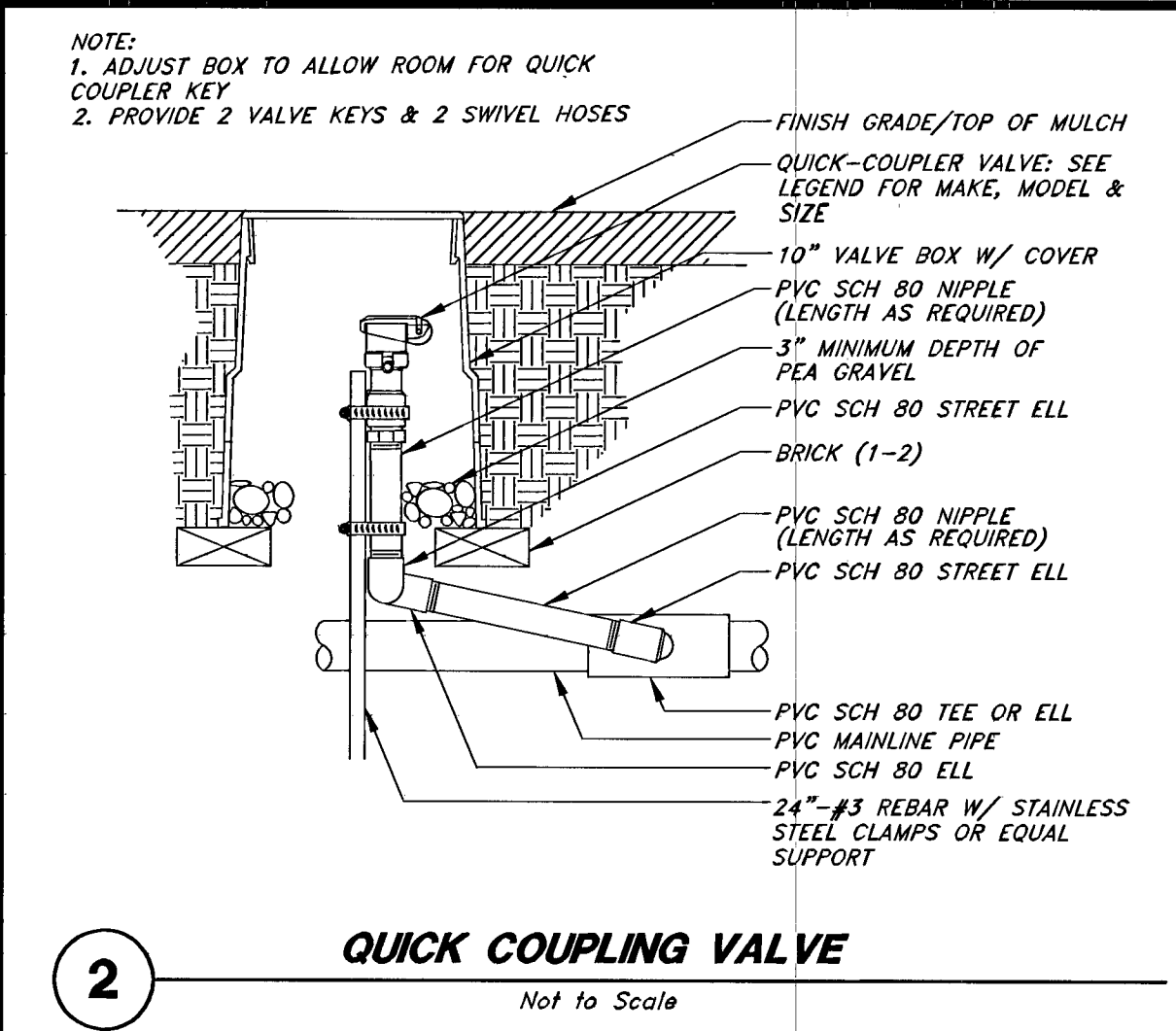
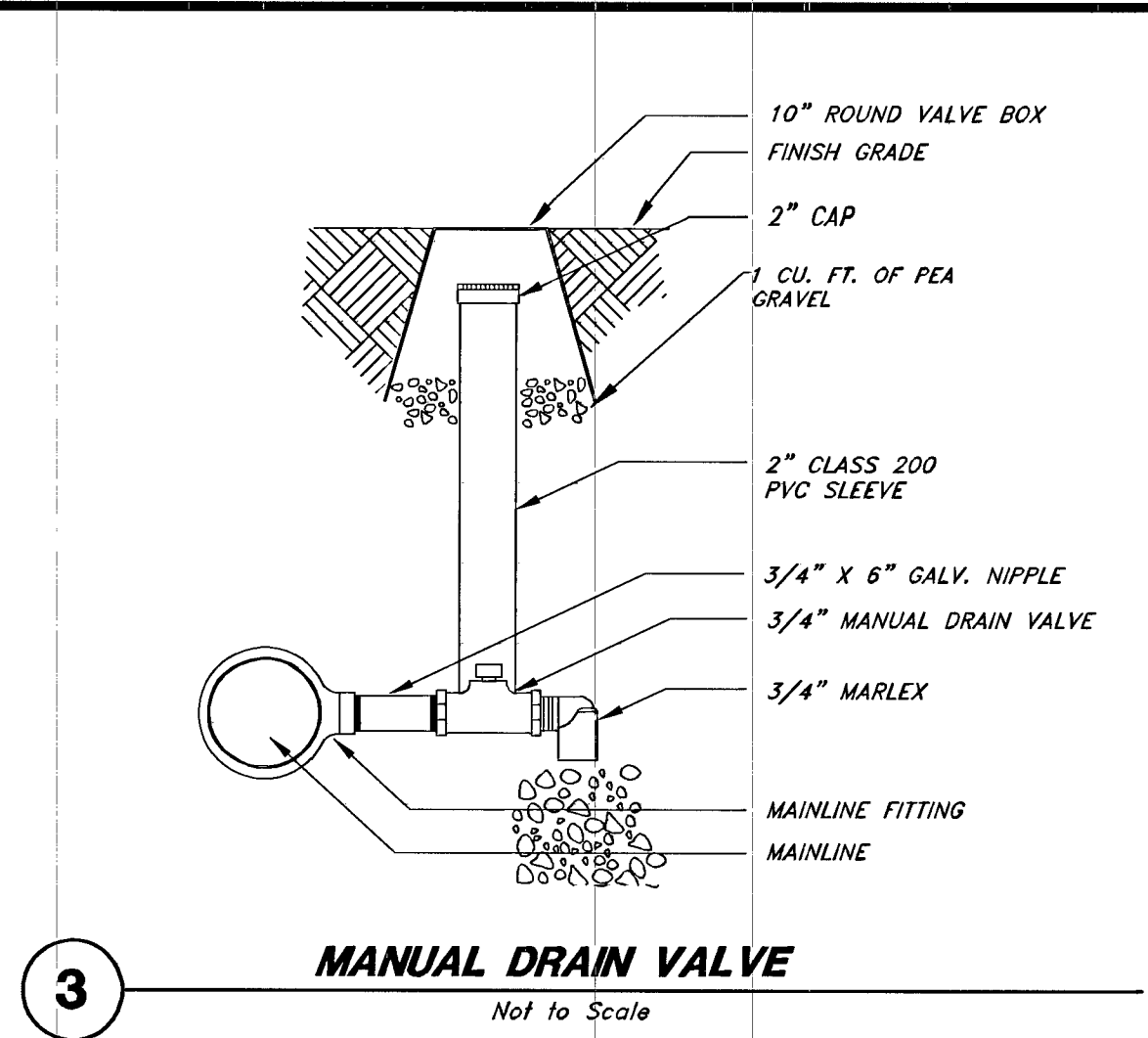


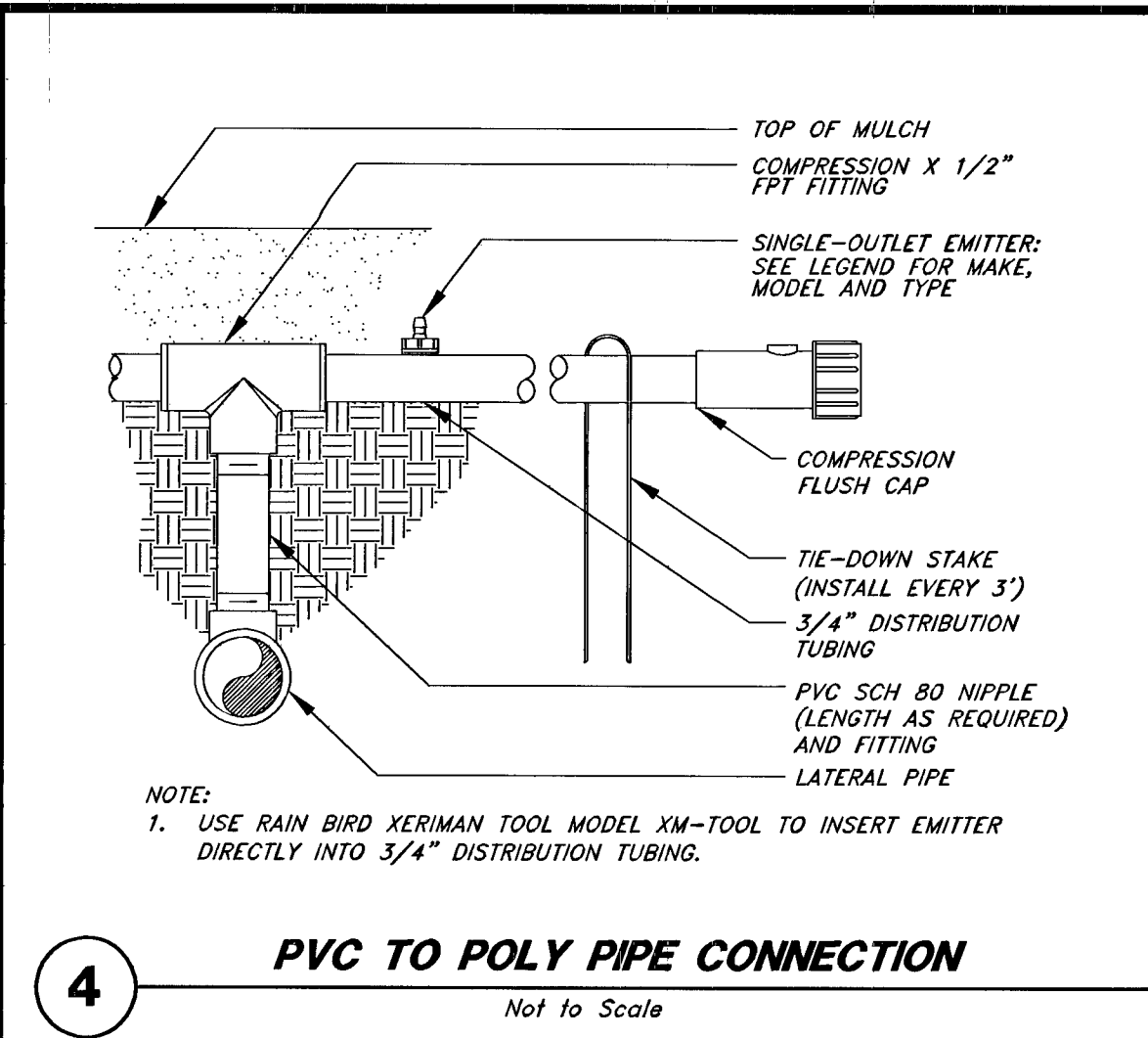
**1 DRIP CONTROL VALVE**  
Not to Scale



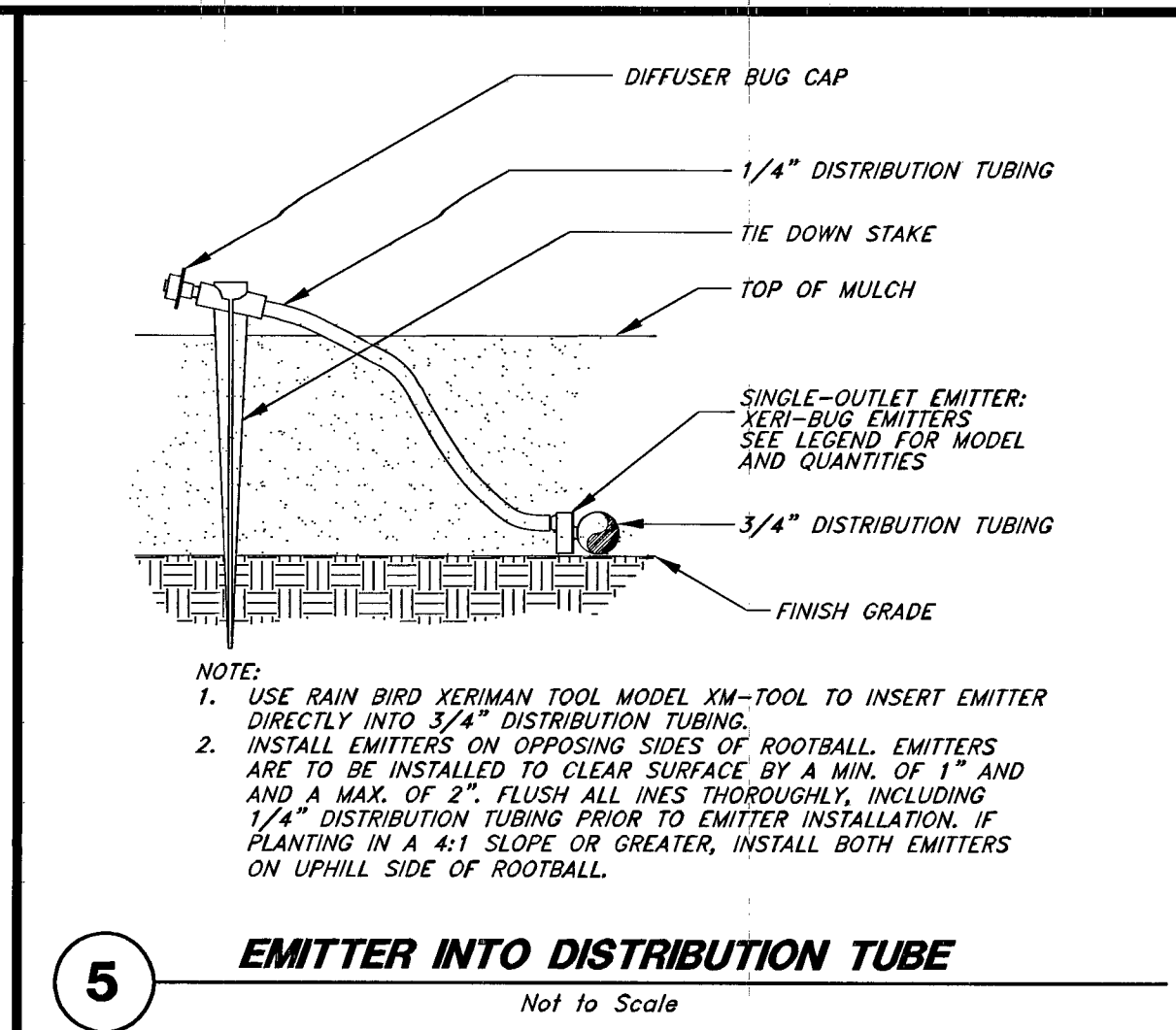
**2 QUICK COUPLING VALVE**  
Not to Scale



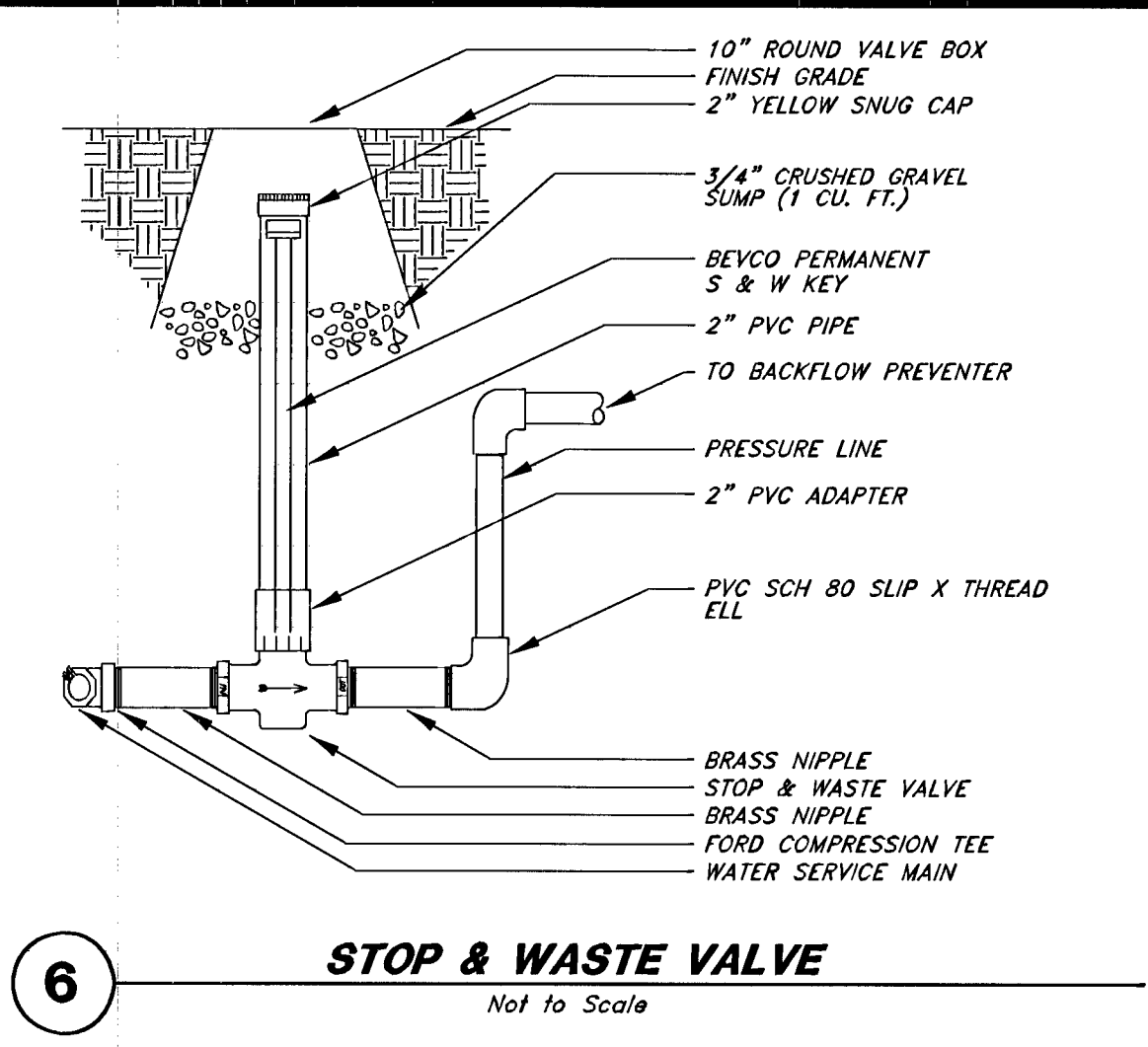
**3 MANUAL DRAIN VALVE**  
Not to Scale



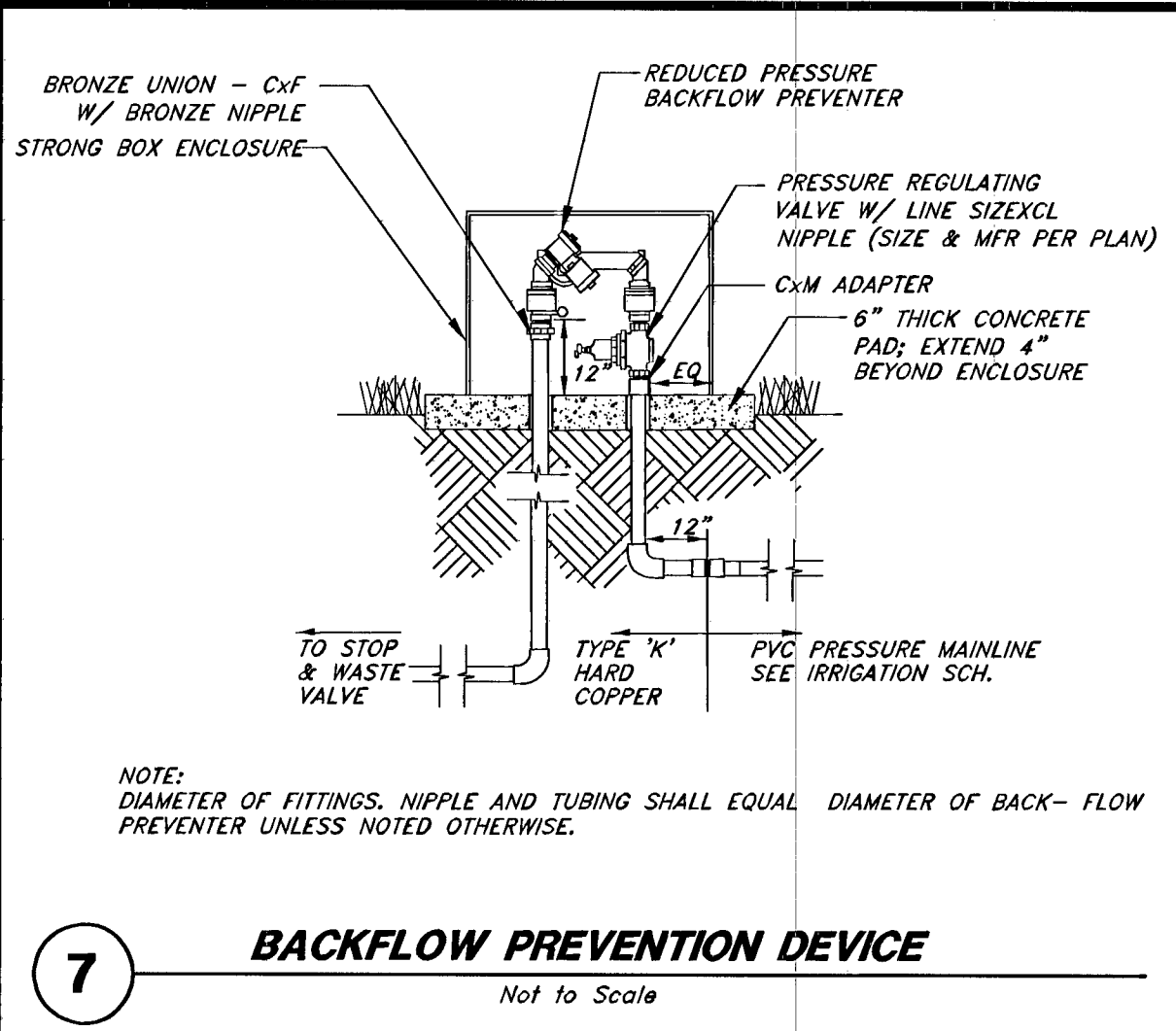
**4 PVC TO POLY PIPE CONNECTION**  
Not to Scale



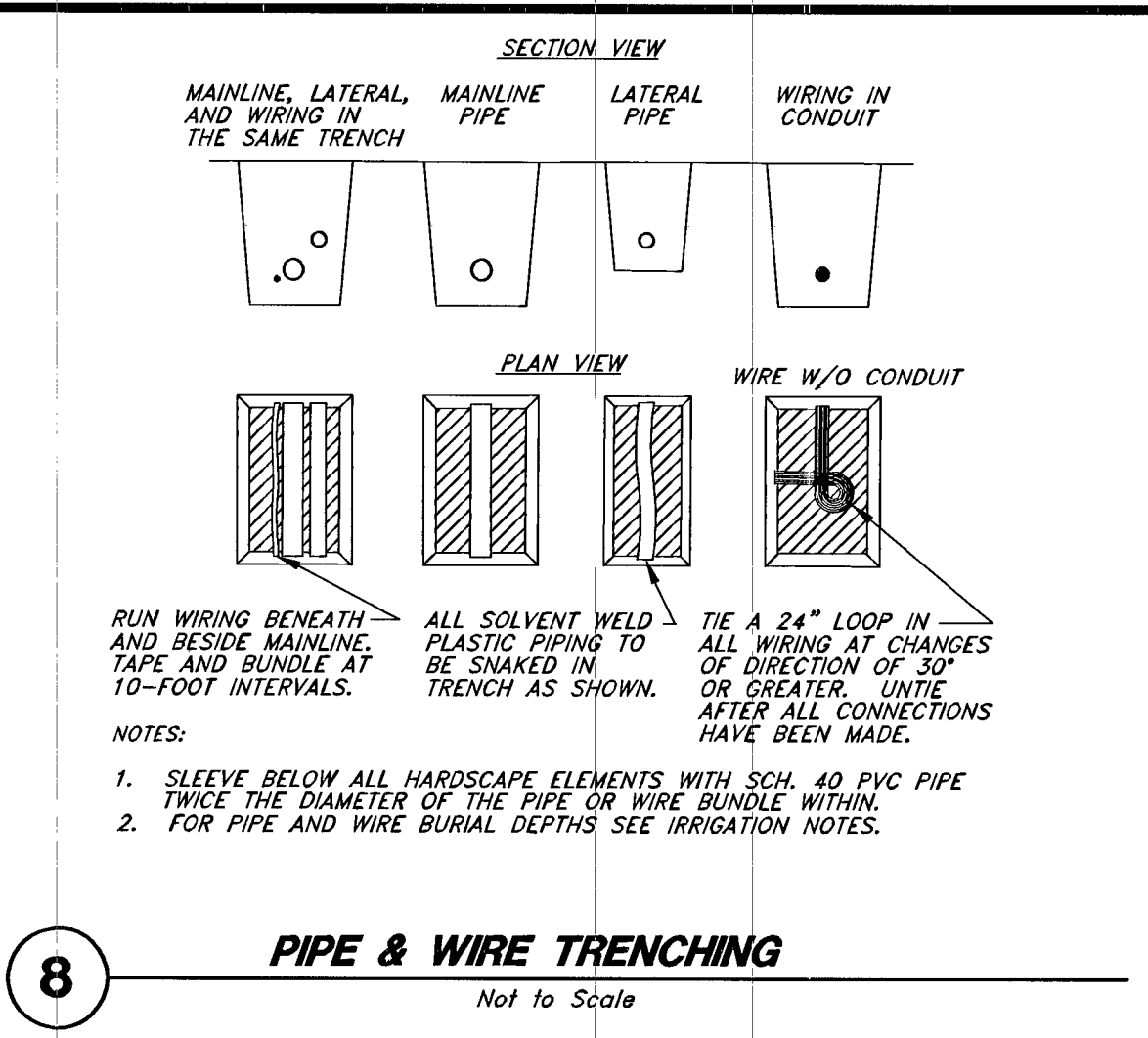
**5 EMITTER INTO DISTRIBUTION TUBE**  
Not to Scale



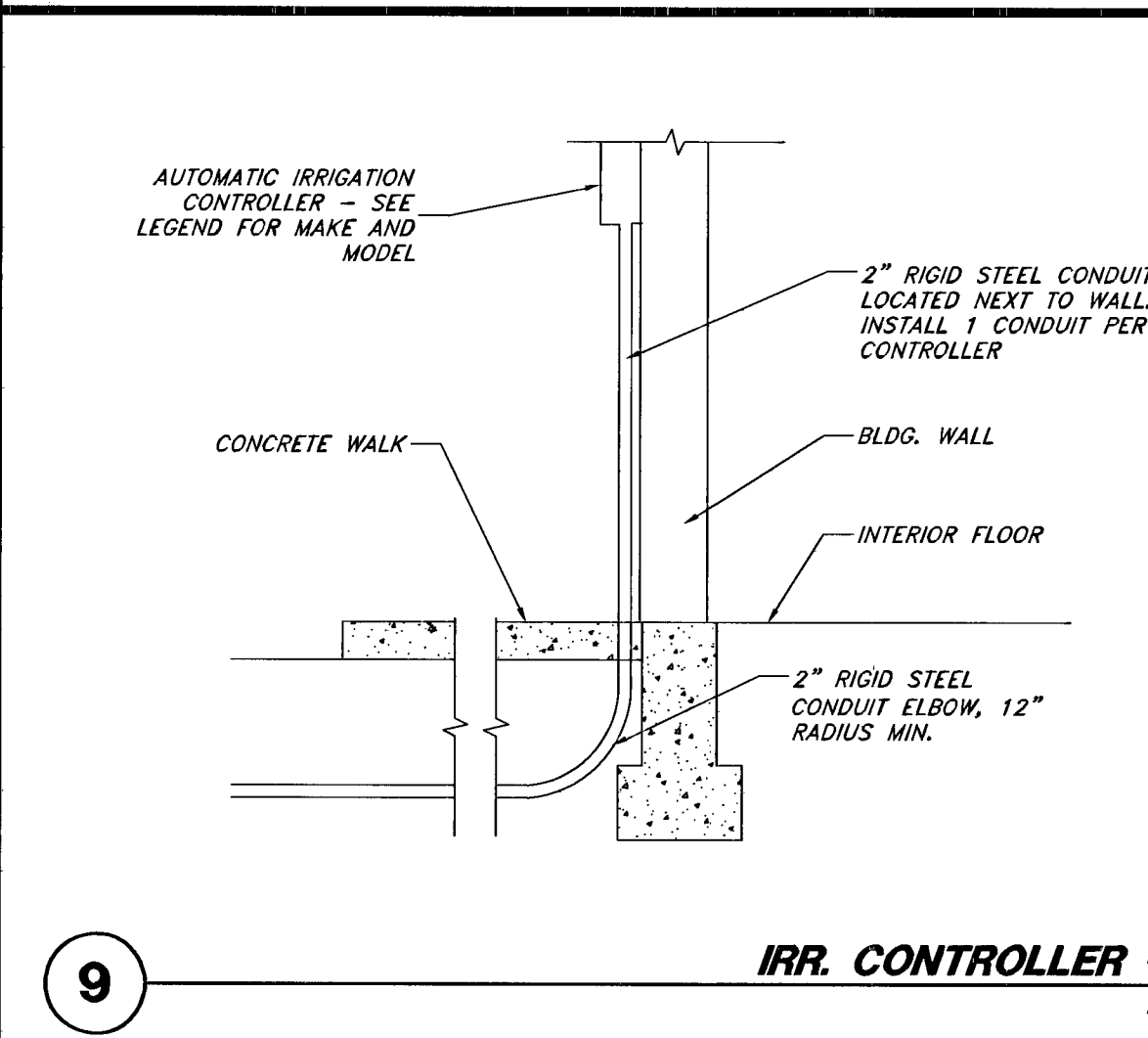
**6 STOP & WASTE VALVE**  
Not to Scale



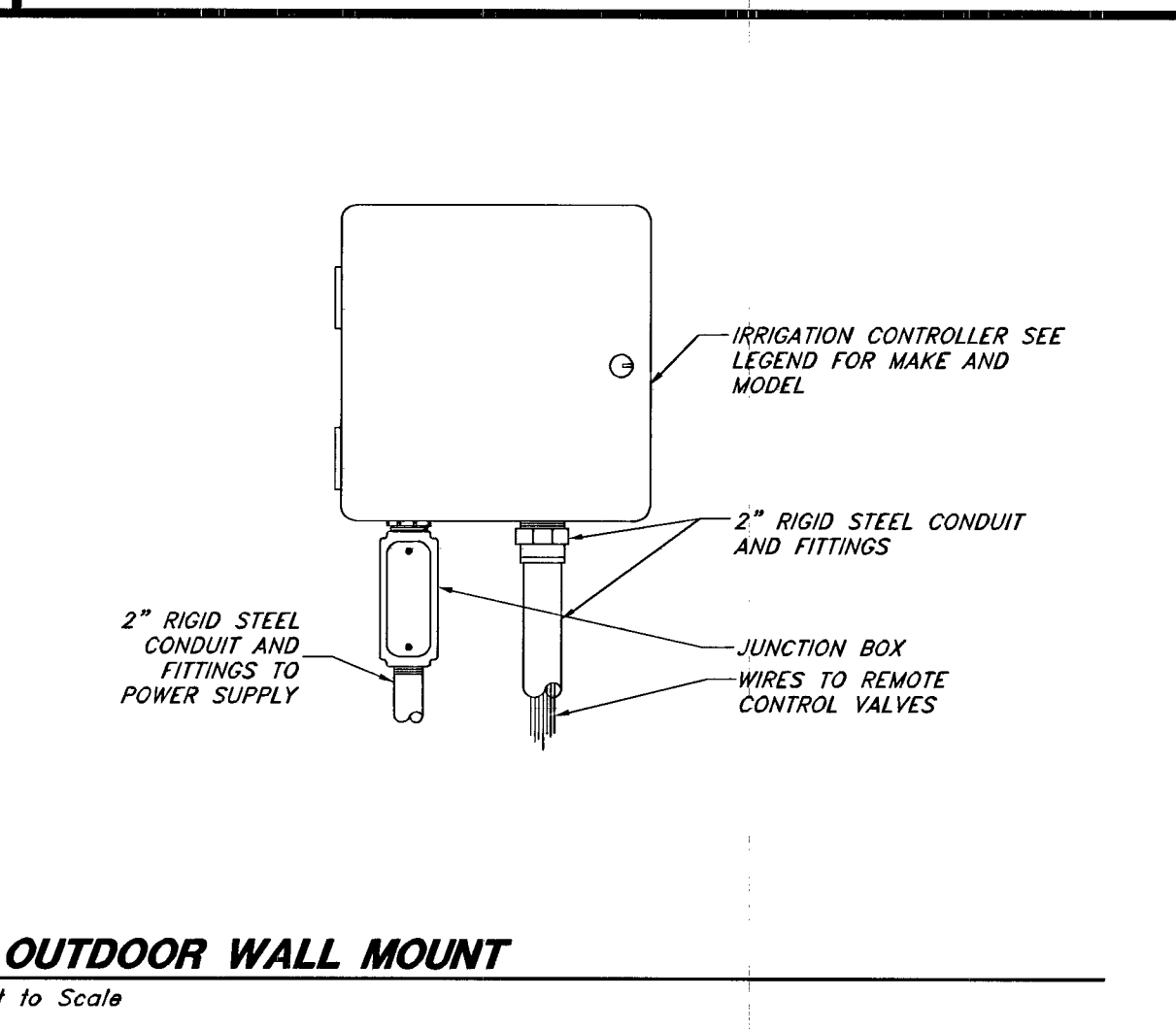
**7 BACKFLOW PREVENTION DEVICE**  
Not to Scale



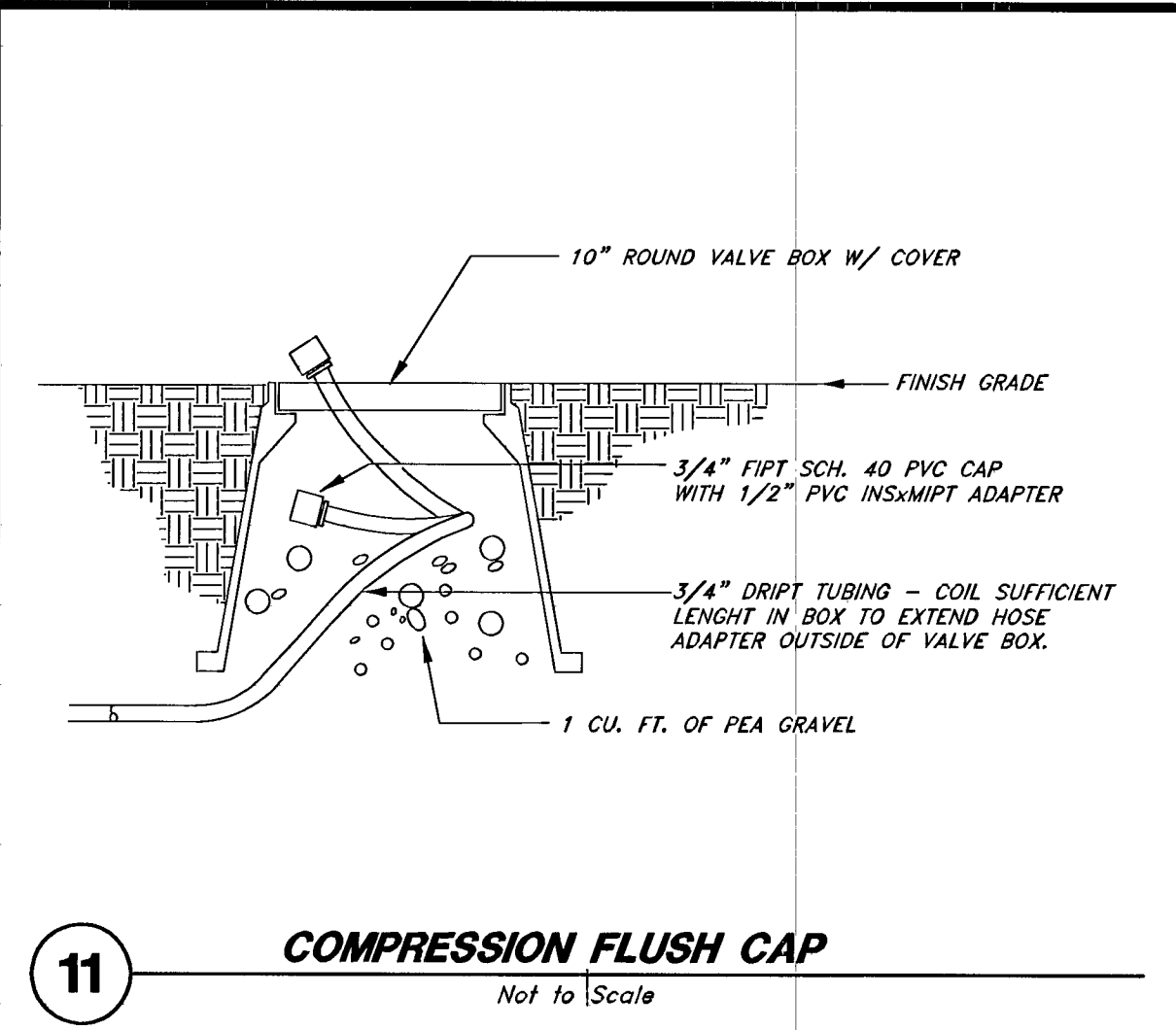
**8 PIPE & WIRE TRENCHING**  
Not to Scale



**9 IRR. CONTROLLER - OUTDOOR WALL MOUNT**  
Not to Scale



**10 PIPE SLEEVING**  
Not to Scale



**11 COMPRESSION FLUSH CAP**  
Not to Scale

REV	DATE	DESCRIPTION
03/03/14	888 Set	REV
02/28/14	014 Comments	REV

Designed by: KR  
 Drafted by: JRM  
 Client Name:  
 Smith's Food & Drug  
 SMC332-IR  
**ANDERSON WAHLEN & ASSOCIATES**  
 Great Basin Engineering South  
 2010 North Redwood Road, Salt Lake City, Utah 84116  
 801-521-8529 - awahlen@engineering.net

**Irrigation Details**  
**Smith's Fuel Center #332**  
 7050 North Durango Drive  
 Las Vegas Nevada  
 22 Jan 2014  
 SHEET NO. 17 OF 17  
**L3.1**  
 101V6235

**Smith's**  
**FOOD & DRUG STORES**  
 1550 South Redwood Road  
 Salt Lake City, Utah 84104  
 Telephone (801) 974-1400  
**#332**  
**Las Vegas, Nevada**  
 H# 52705

