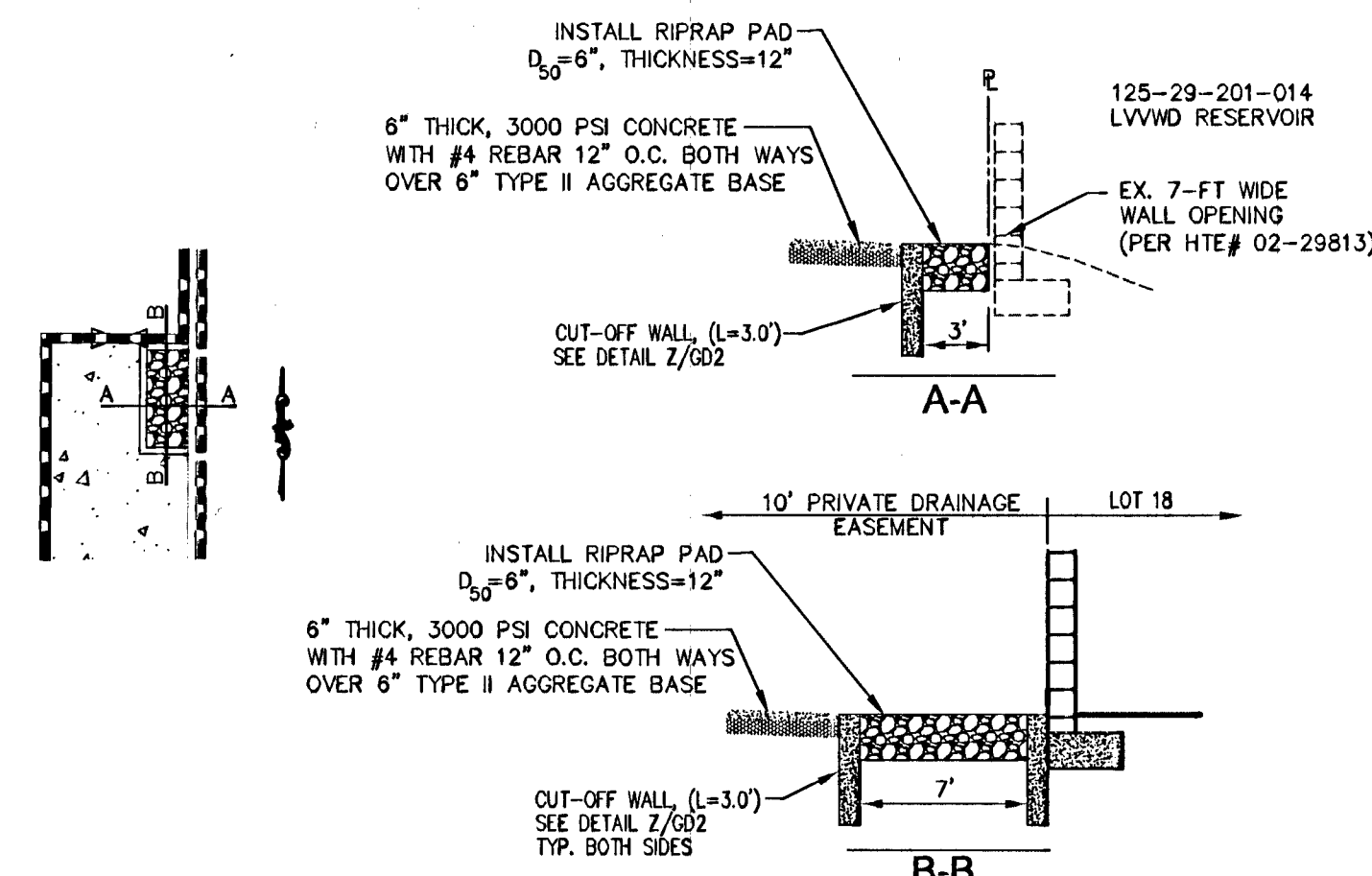
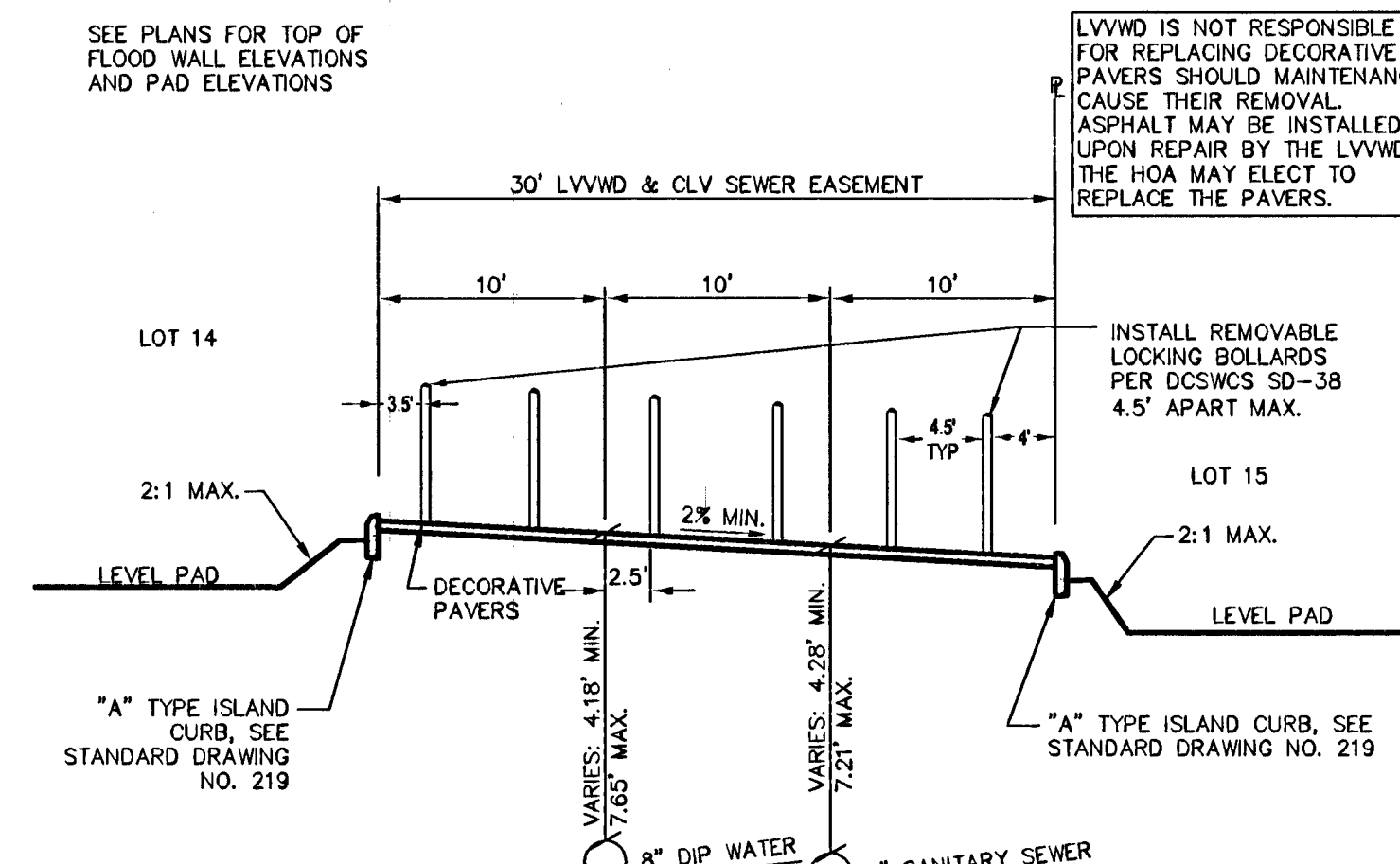


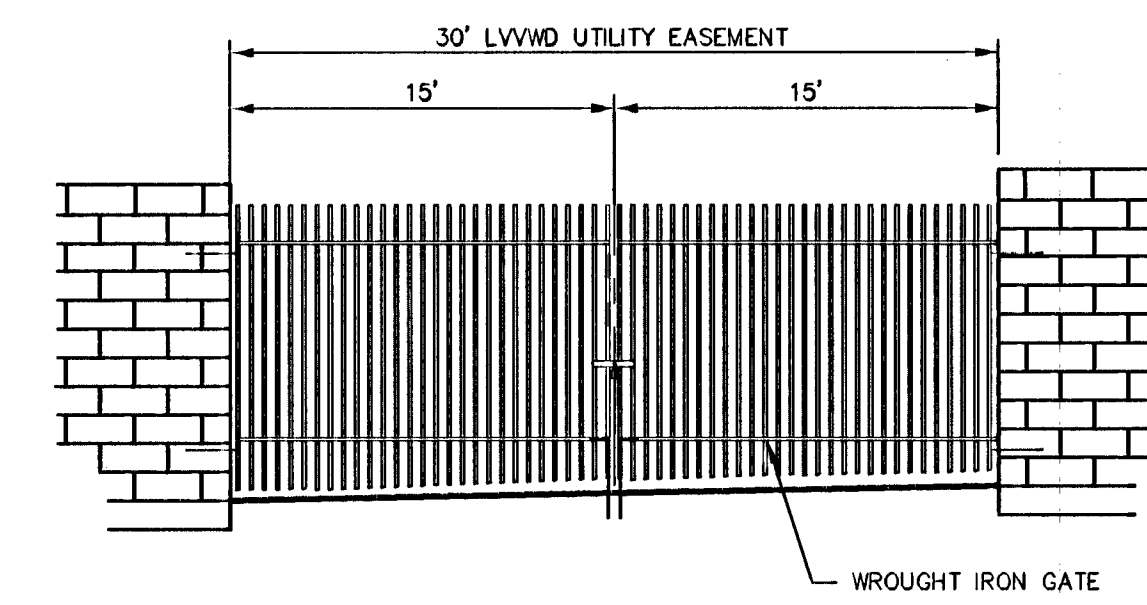
P PERIMETER WALL & SCARPING - WEST
@ EXISTING KINGS BROOK EASTATE (NOT TO SCALE)



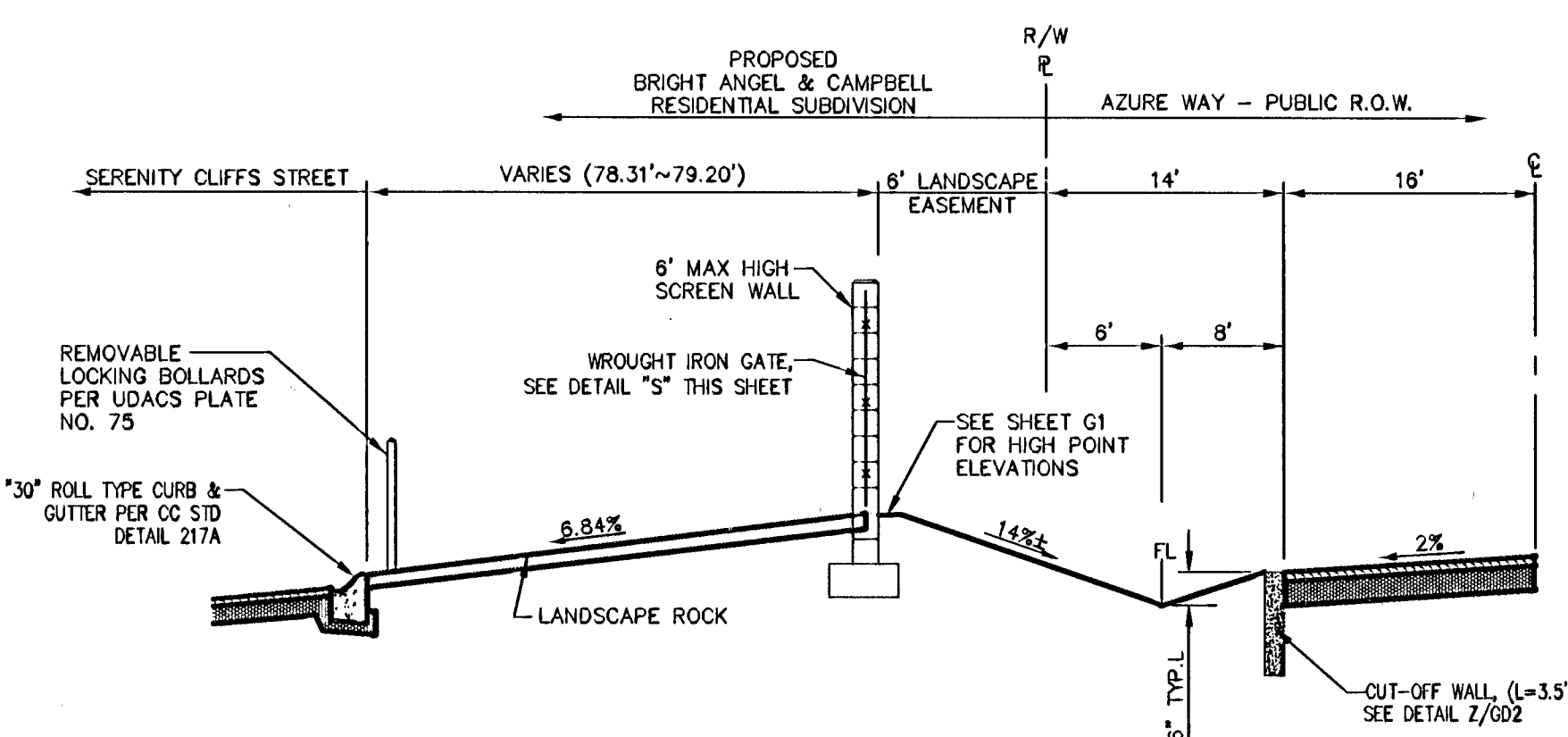
Q DRAINAGE EASEMENT RIPRAP PAD
(NOT TO SCALE)



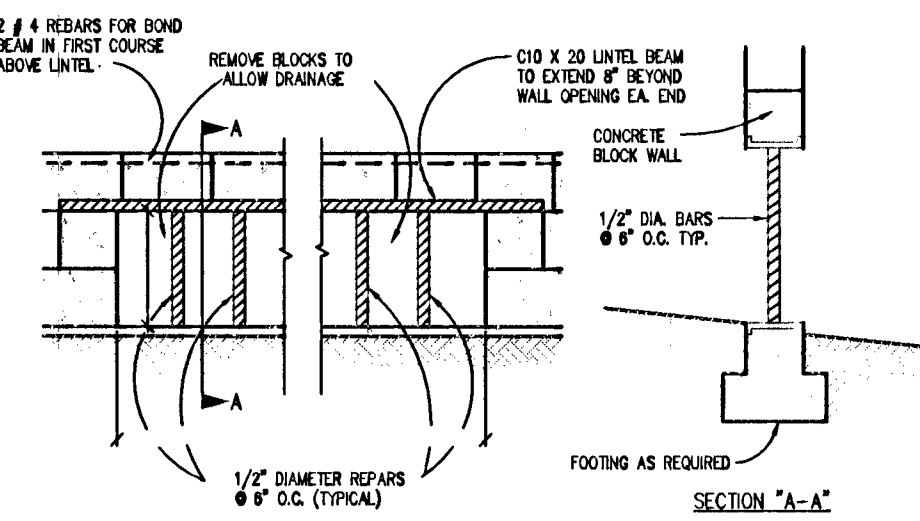
R LVVWD UTILITY EASEMENT - SECTION
(NOT TO SCALE)



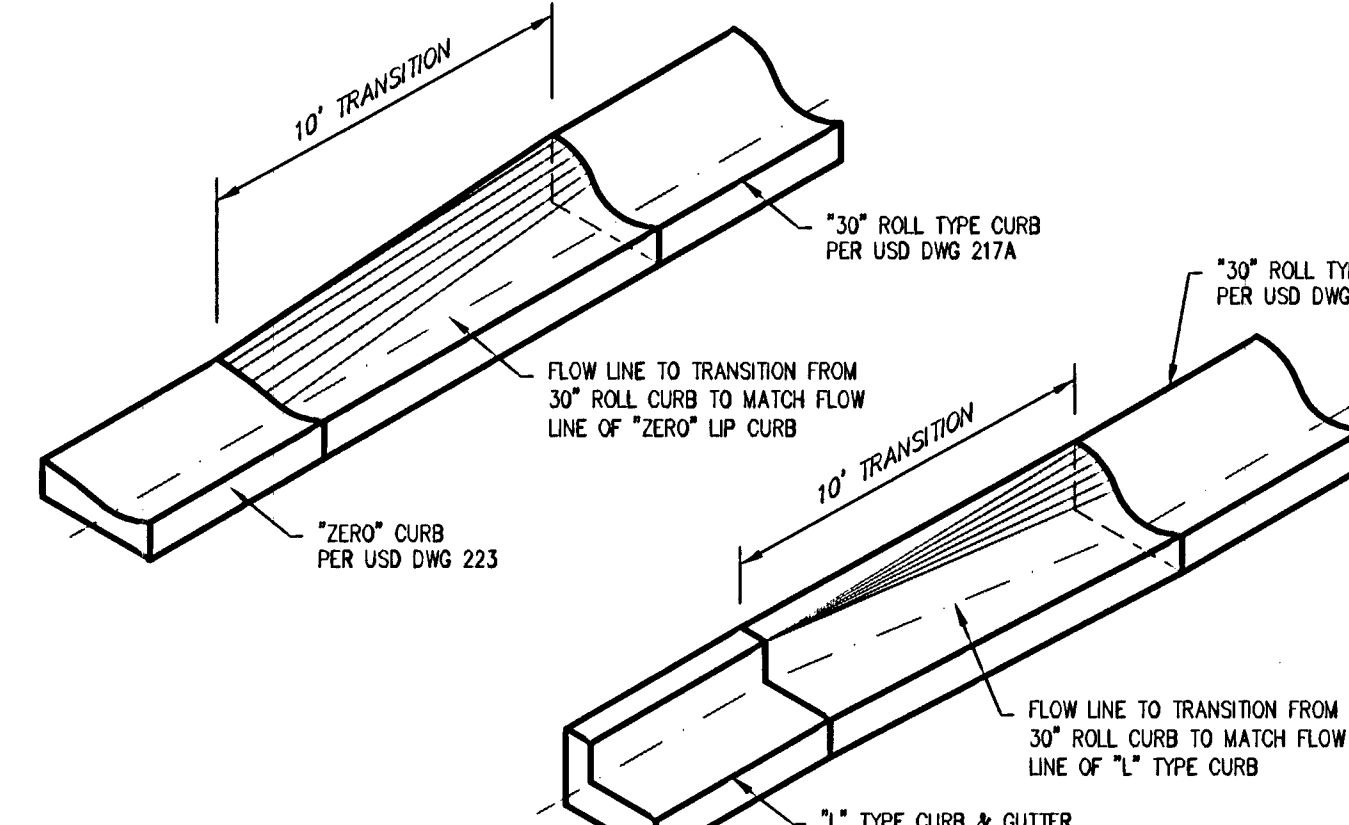
S WROUGHT IRON GATE - DETAIL
(NOT TO SCALE)



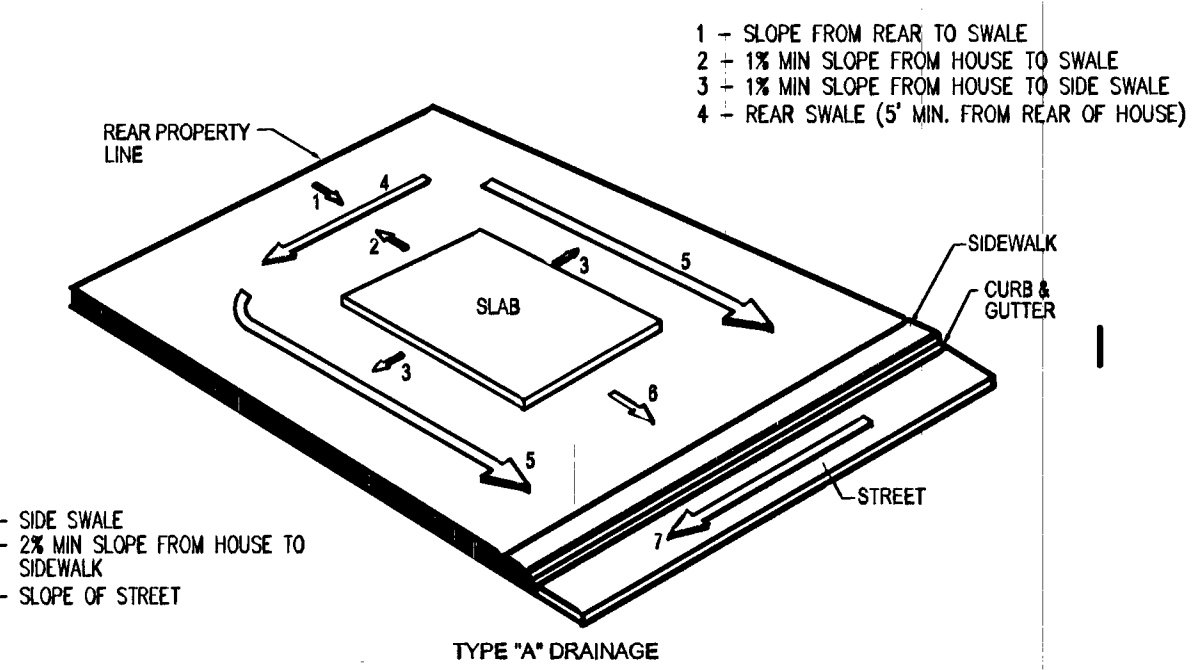
T LVVWD UTILITY EASEMENT - LONGITUDINAL SECTION
(NOT TO SCALE)



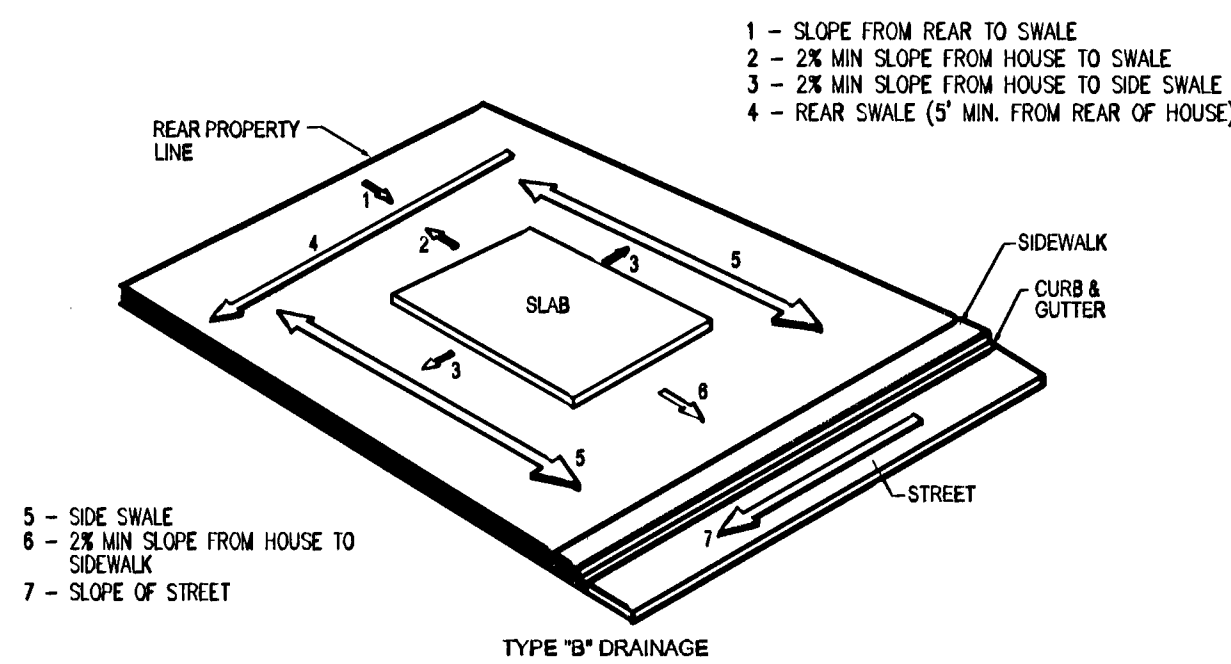
V 48" X 46" BLOCK WALL OPENING
(NOT TO SCALE)



W CURB TRANSITION DETAILS
(NOT TO SCALE)



X TYPICAL LOT GRADING DETAIL - CASE 1
TYPE "A" DRAINAGE (NOT TO SCALE)

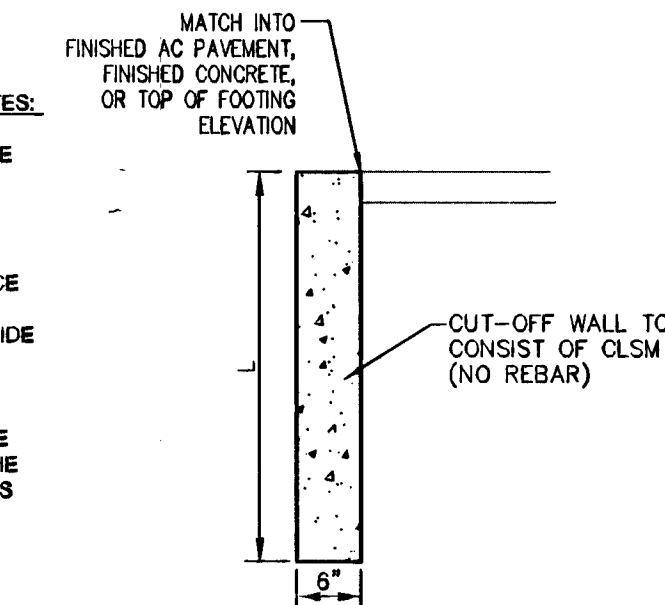


Y TYPICAL LOT GRADING DETAIL - CASE 2
TYPE "B" DRAINAGE (NOT TO SCALE)

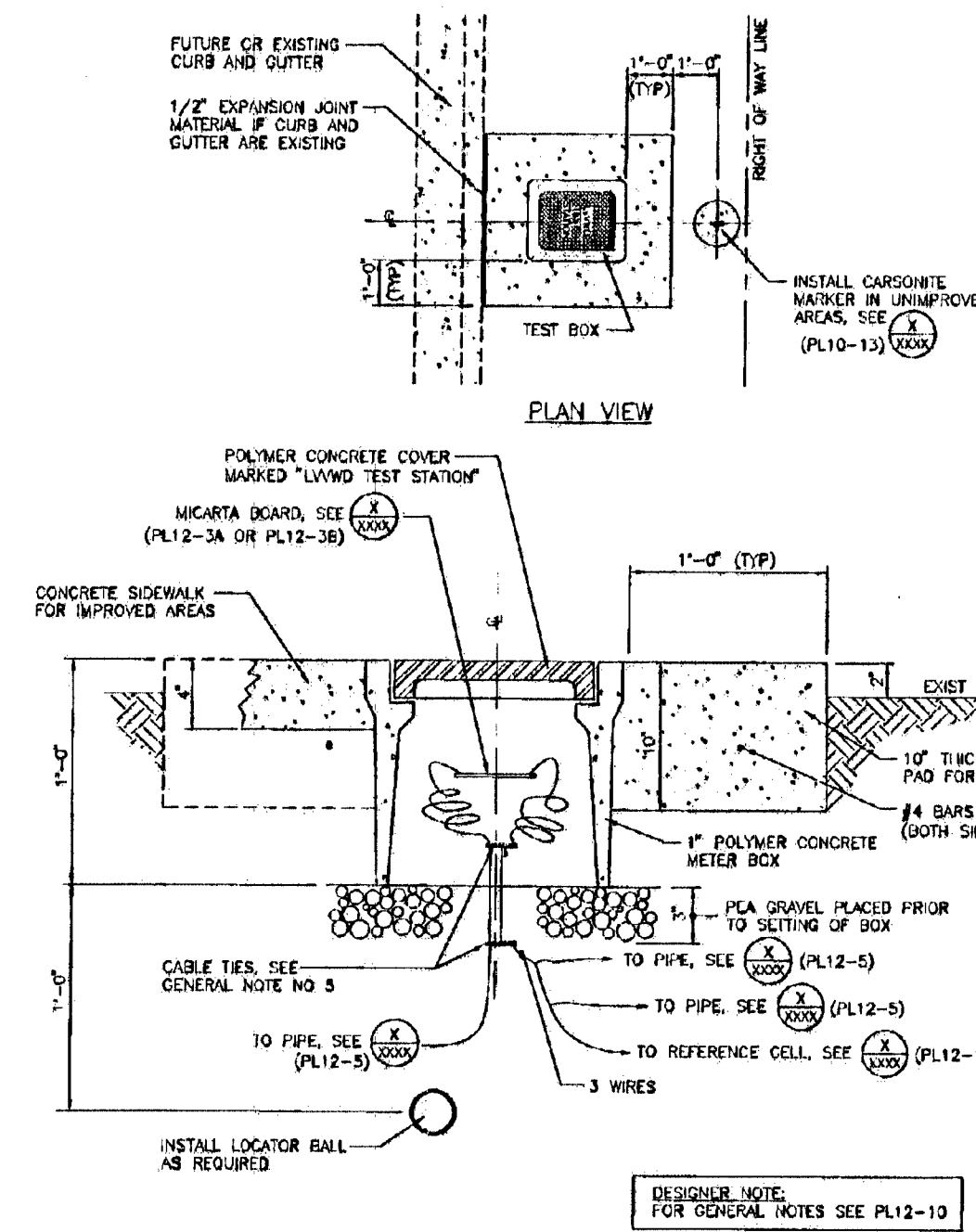
NOTE:
6" MIN. CLEARANCE AROUND EXISTING UNDERGROUND UTILITIES

CLSM CUT-OFF WALL CONSTRUCTION NOTES:

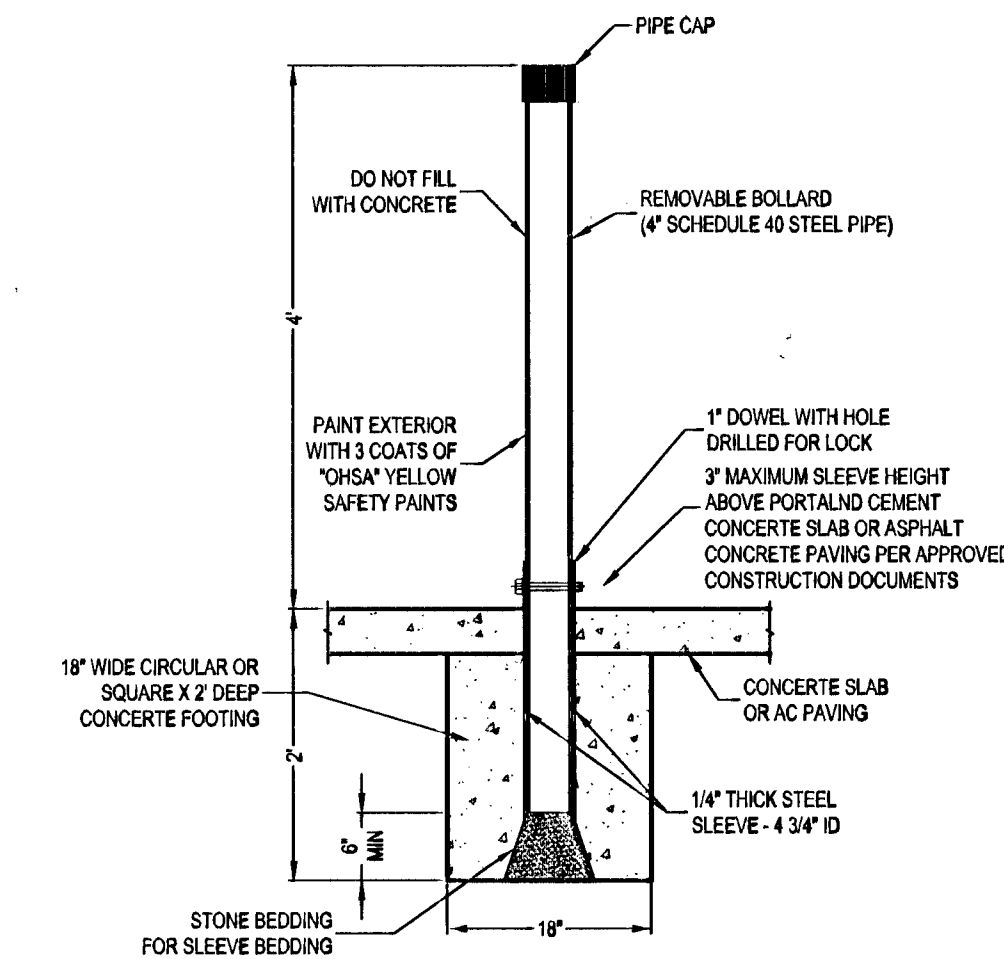
1. THE CONCRETE CUT-OFF WALL SHALL BE POURED AROUND THE TAPPING VALVE, CONCRETE COLLAR AND EXISTING GV CONCRETE COLLAR.
2. THERE SHALL BE 6" MINIMUM CLEARANCE BETWEEN THE OUTSIDE EDGE OF THE CONCRETE CUT-OFF WALL AND THE OUTSIDE EDGE OF THE EXISTING 9" WATER MAIN.
3. 2. THERE SHALL BE 6" MINIMUM CLEARANCE BETWEEN THE OUTSIDE EDGE OF THE CONCRETE CUT-OFF WALL AND THE OUTSIDE EDGE OF THE EXISTING 2" PE GAS LINE.
4. CONTRACTOR TO EXERCISE CAUTION WHILE CONSTRUCTION THE CONCRETE CUT-OFF WALL AND PROTECT IN PLACE THE EXISTING WATER MAIN AND EXISTING GAS LINE.



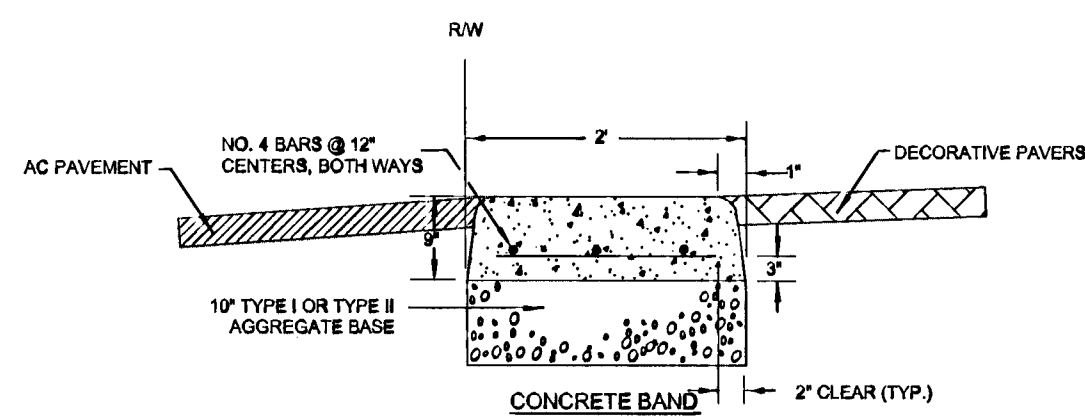
Z CUT-OFF WALL DETAIL
(NOT TO SCALE)



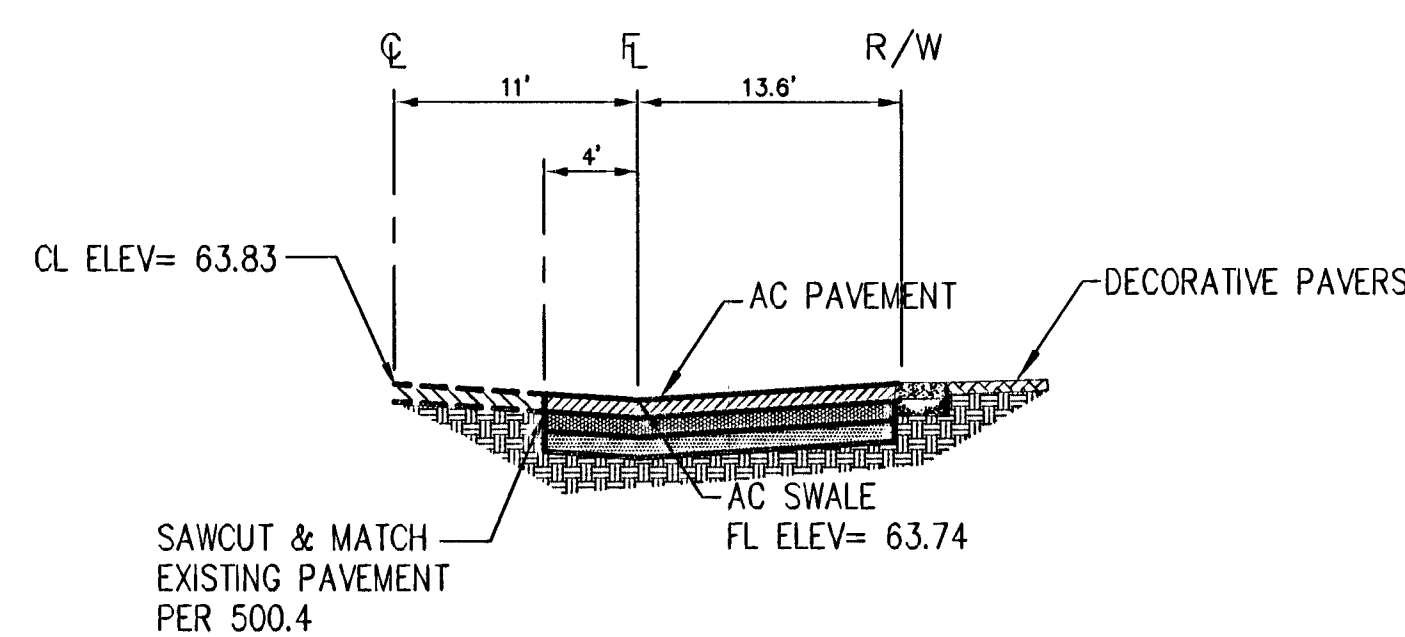
DD TEST STATION
UDACS PLATE NO. 12-2



AA REMOVABLE BOLLARD
DCSWCS SD-38 (NOT TO SCALE)



BB CONCRETE BAND W/ PAVERS DETAIL
(NOT TO SCALE)



CC ENTRANCE SECTION
(NOT TO SCALE)

NO.	DESCRIPTION	APPR.	DATE

WILLIAM LYON HOMES
500 PULCI ROAD, STE #6
RESIDENTIAL SUBDIVISION
(702) 383-6600 FAX: (702) 383-6620

TANEY ENGINEERING
6030 S. JONES BLVD, STE #100
LAS VEGAS, NV 89118
(702) 382-8844 FAX: (702) 382-8233

BRIGHT ANGEL AND CAMPBELL
A RESIDENTIAL SUBDIVISION

GRADING DETAILS & CROSS SECTIONS

ROBERT D. CUNNINGHAM
Exp. 12-31-11
CIVIL
No. 15728
ENGINEER'S SEAL

DATE: 3/14/14
SCALE:
JOB NO: WLL-13-075
DESIGNED BY: DRL
CHECKED BY: AM
SHEET NAME: GD2
SHEET: 6 OF 17
HTE# 13-39191 / #S1509
CLV# 307V1082

LVVWD APPROVAL
Las Vegas Valley Water District Engineering Services Manager
DATE: 3-26-14 (PROJ# 121062)

FILE NAME: WLL075 DETAILS.DWG