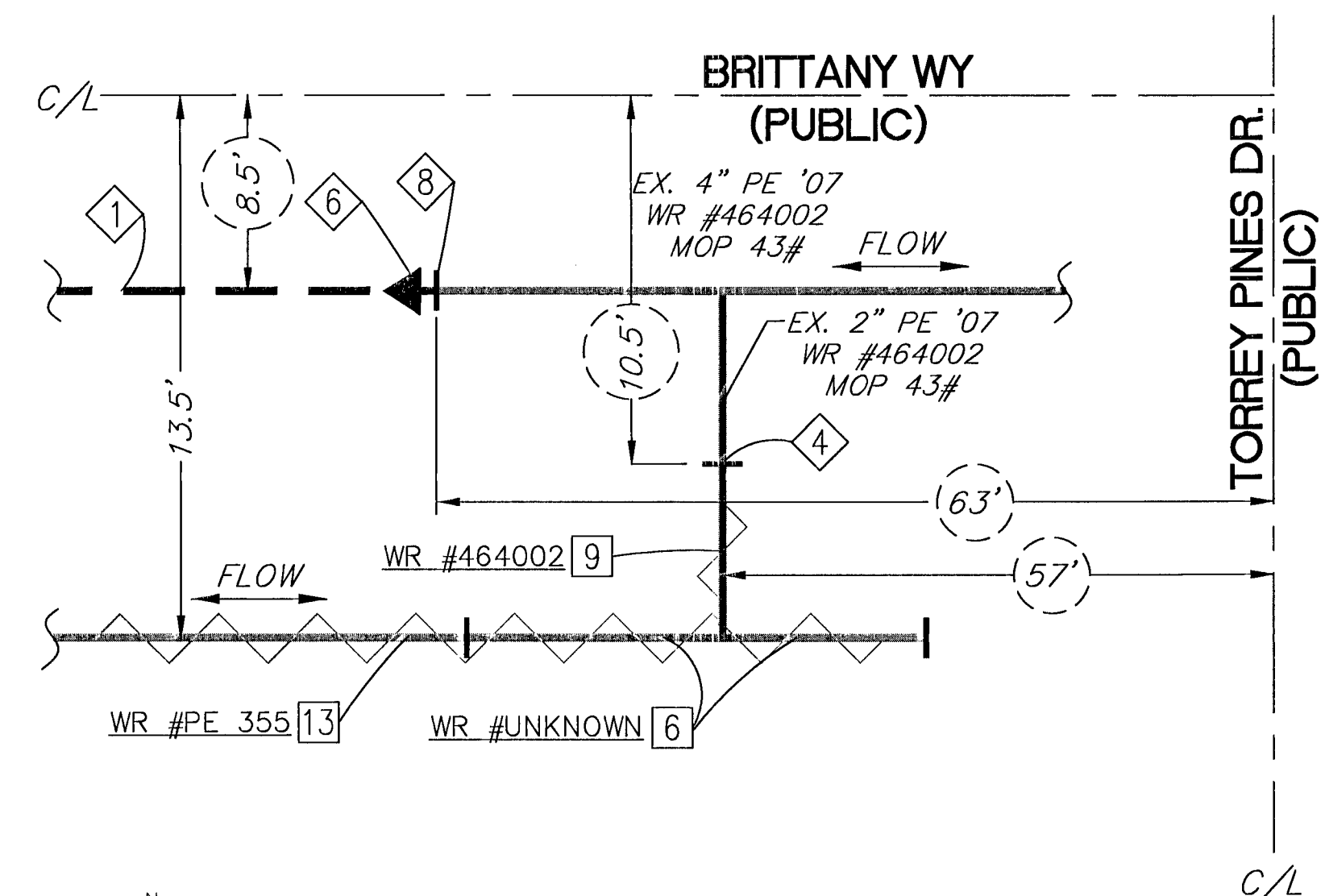
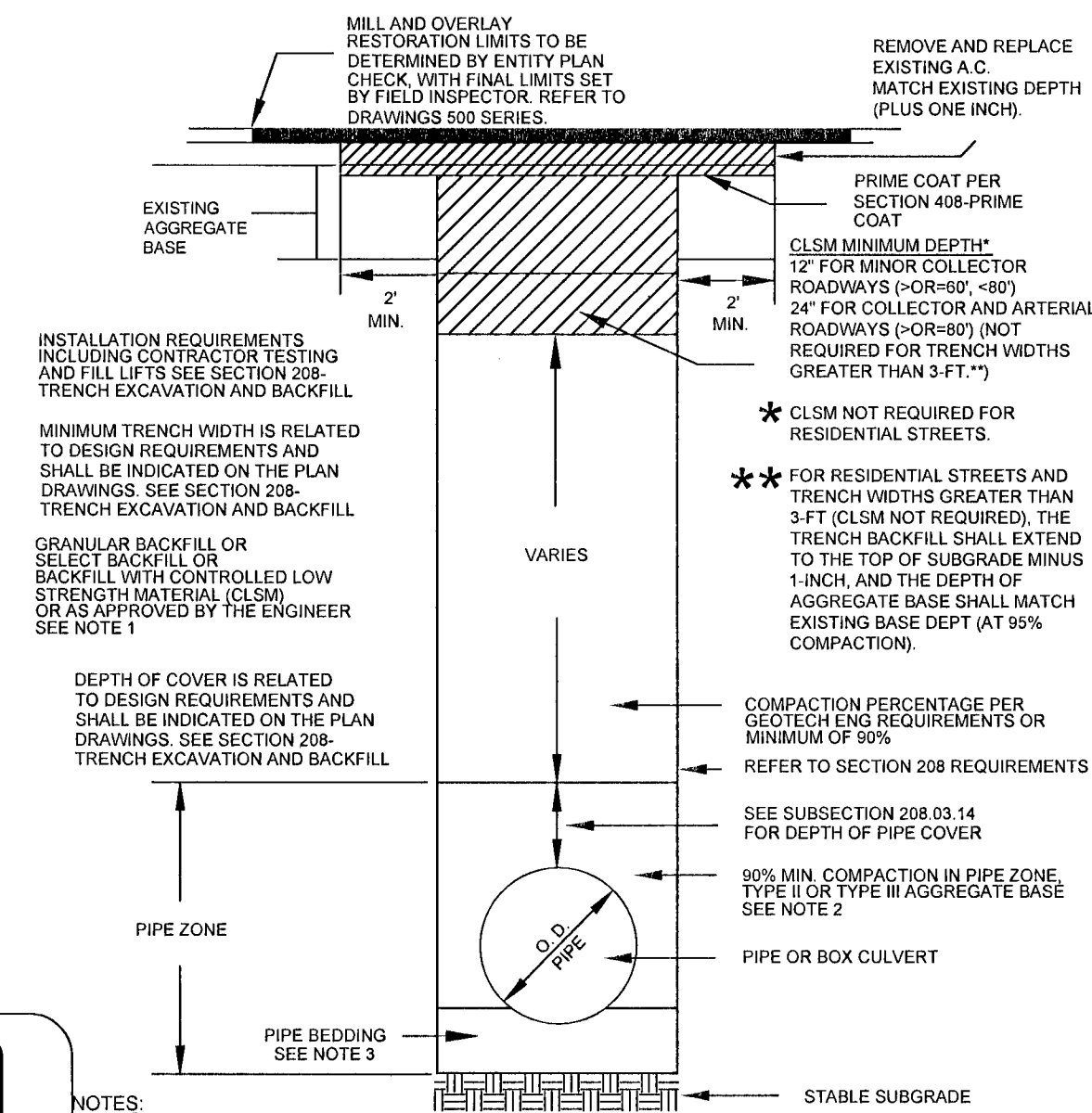


**D TIE-IN DETAIL (SEE SHEET 16)**  
N.T.S.



**E TIE-IN DETAIL (SEE SHEET 18)**  
N.T.S.



- NOTES:**
- NO STONES OR LUMPS GREATER THAN 3" PERMITTED IN TRENCH 2' OR LESS IN WIDTH
  - TRENCH WIDTH, BEDDING, SUBGRADE AND PIPE ZONE REQUIREMENTS FOR UTILITY INSTALLATIONS SHALL CONFORM TO THE RESPECTIVE ENTITY REQUIREMENTS
  - CRUSHED ROCK MAY BE USED FOR PIPE BEDDING ONLY IF MATERIAL USE HAS BEEN SPECIALLY APPROVED BY THE GOVERNING AGENCY. SEE STANDARD DRAWING NO. 505 FOR PIPE BEDDING METHODS
  - LAS VEGAS VALLEY WATER DISTRICT REQUIRES PIPE BEDDING AND BACKFILL WITHIN THE PIPE ZONE TO BE OF THE SAME MATERIAL

**PROPOSED FACILITIES:**

- 1 PROP. 2" PE MAIN
- 4 PROP. 2" PE CAP (140-3060)
- 6 PROP. 4"x2" REDUCER (140-5118)
- 8 PROP. 4" PE PERFECTION COUPLING (140-3530)

**ABANDONED FACILITIES:**

- 6 ABANDON 2" PVC '62 MOP 43#
- 9 ABANDON 2" PE '07 MOP 43#
- 13 ABANDON 2" PVC '61 MOP 43#



RTC STD DWG 503

1. _____ 2. _____ 3. _____ 4. _____ NO. DESCRIPTION BY DATE APPVD		<b>AS-BUILT DRAWING-PRESSURE TEST DATA</b> TEST MEDIUM TEST METHOD PIPE DIA. _____ PIPE LENGTH _____ PIPE TYPE _____ MIN. DURATION _____ TEST PRES. (PSI) _____ TIME _____ DATE _____ PERFORMED BY _____		<b>VISUAL INSPECTION CERTIFICATION</b> I HAVE VISUALLY INSPECTED ALL HEATED FUSIONS, SOLVENT CEMENT, MECHANICAL JOINTS, AND WELDS THAT HAVE BEEN PERFORMED. NAME _____ DATE _____ INSPECTOR _____ FOREMAN _____ REVIEWED BY _____ <b>SEE SHEET 2</b>		<b>CONSTRUCTION</b> ISOLATION AREA: 46 W.R. NO.: 1586704 <b>CONSTRUCTION</b> CITY OF LAS VEGAS TAX CODE: 02-0200		ENGINEER/TECH: NICOLE HUNT ACCOUNT REP: _____ PROJECT CONTACT: NICOLE HUNT SHEET NO: 20 OF 20 DWN. BY: ZONE ENG		PHONE: 702-365-2311 PHONE: _____ PHONE: 702-365-2311 DATE: 06/13/2013 APPVD. BY: _____	
REVISIONS		<b>PROPERTY UNITS</b> TAX CODES UNIT NO. UNIT TYPE INSTL. RETIRED INSTL. RETIRED PROPOSED COMPLETED		<b>PERMIT INFORMATION</b> AS-BUILTS ACCEPTED BY _____ DATE _____ POSTED BY _____ DATE _____ POSTING O'CD BY _____ DATE _____		LOCATION: T20S R80E SEC 35 M.D.M. ATLAS #/TILE #: x600y514 x603y514		<b>SICLV-CHARLESTON RAINBOW UNIT 27A</b>			