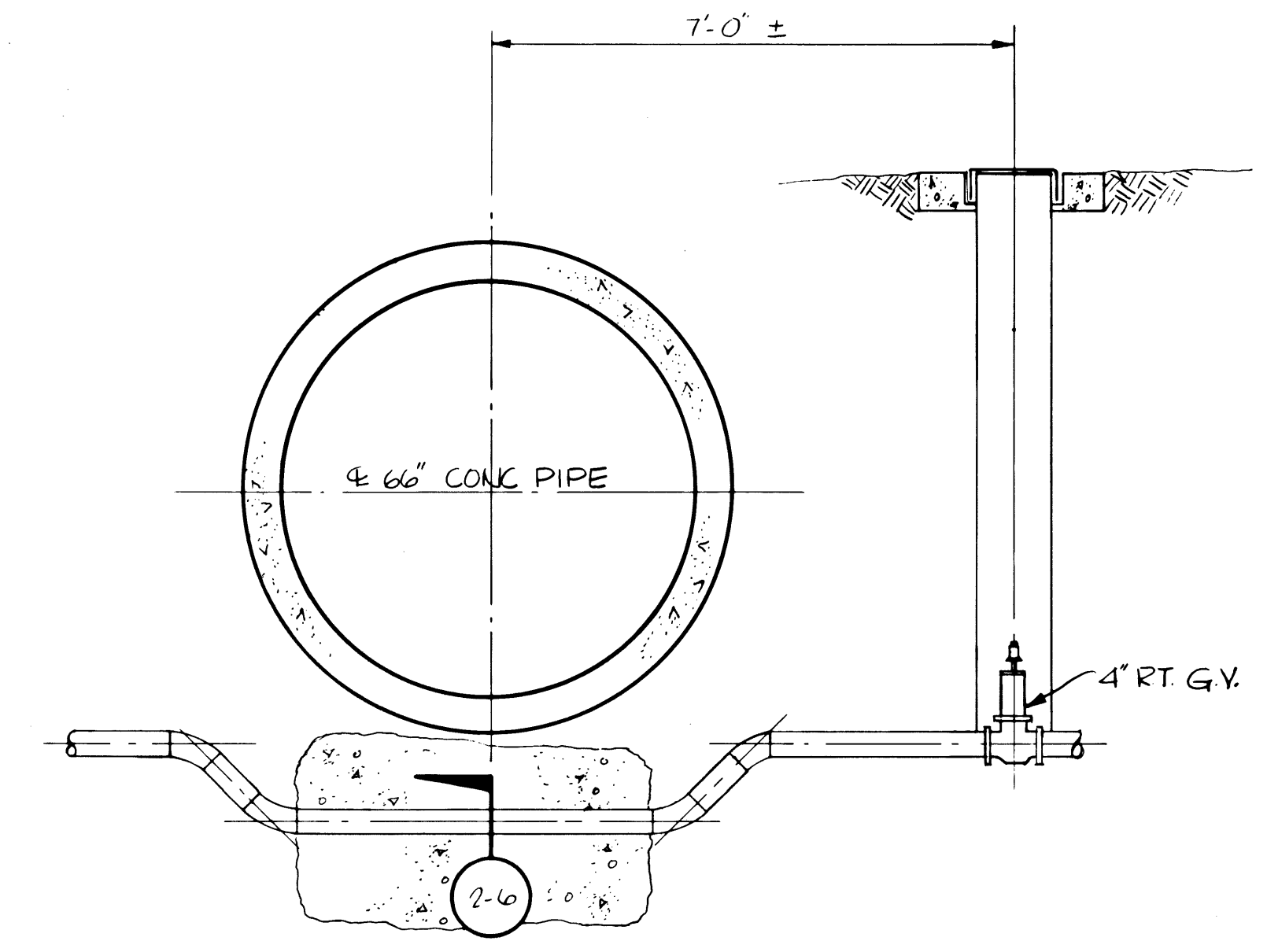
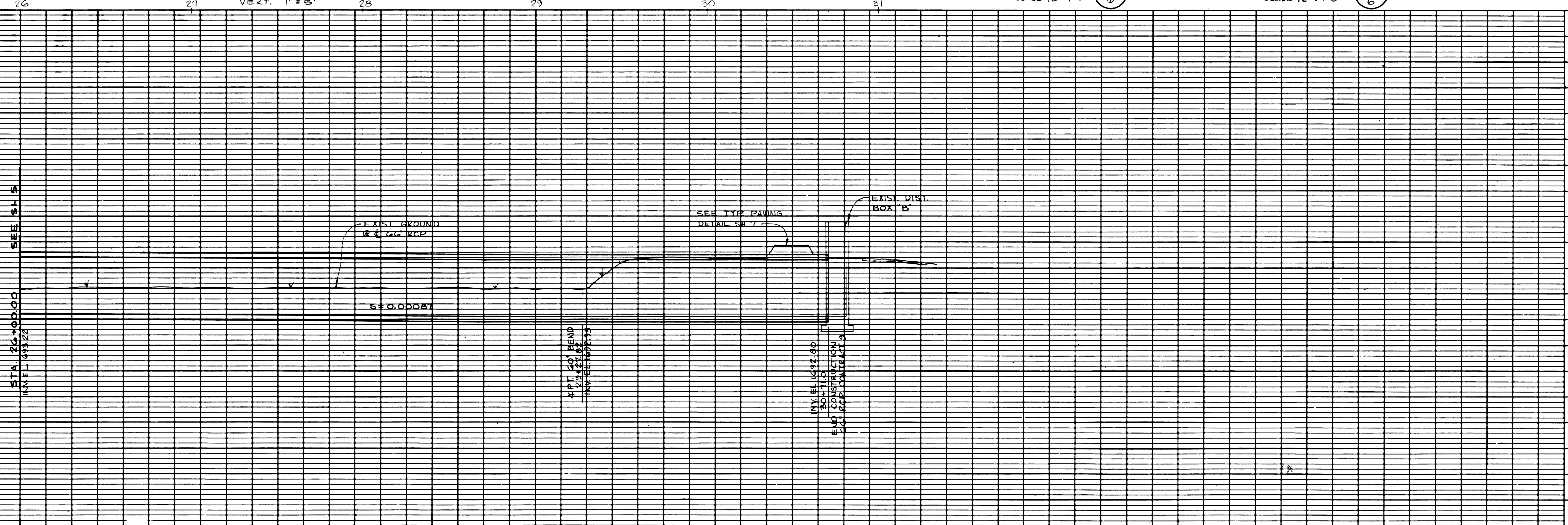


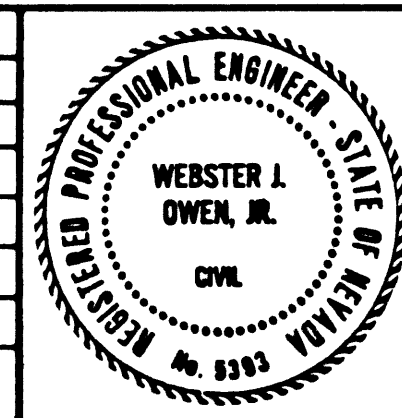
NOTE:  
 1. CONTRACTOR TO VERIFY INVERT ELEV. 1691.80 PRIOR TO INSTALLING PIPE  
 2. CONTRACTOR TO VERIFY LOCATION OF BURIED UTILITY SERVICE LINES BEFORE EXCAVATION



PROFILE SCALES  
 HORIZ. 1" = 30'  
 VERT. 1" = 5'



NO.	BY	REVISION	DATE
1	WJD	AS BUILT	5-27-82



Designed FWP  
 Drawn EFW  
 Checked FWP  
 Approved FWP

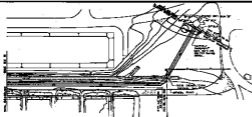
PROJECT NO. 456  
 DATE 5-18-81

**CULP/WESNER/CULP**  
 EL DORADO HILLS, CALIFORNIA  
 SANTA ANA, CALIFORNIA

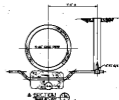
CITY OF LAS VEGAS, NEVADA  
 WASTEWATER TREATMENT PLANT  
 EXPANSION  
 CONTRACT NO. 9  
 INFLUENT SEWER

PLAN & PROFILE  
 STA 26+00 TO 30+71.00

SHEET  
**6**  
 OF 8



SEE  
 SECTION 10-00 TO 10-01  
 FOR  
 DETAILS OF  
 STRUCTURE  
 INCLUDING  
 GRATE  
 AND  
 MANHOLE  
 COVER



DATE	BY	CHECKED



DESIGNED BY	
CHECKED BY	
DATE	

**GULP/WESNER/GULP**  
 4000 W. HALL BLVD.  
 LAS VEGAS, NEVADA 89103

CITY OF LAS VEGAS, NEVADA  
 WASTEWATER TREATMENT PLANT  
 EXPANSION  
 CONTRACT NO. 9  
 INFLUENT SEWER

PLAN & PROFILE  
 10-00 TO 10-01