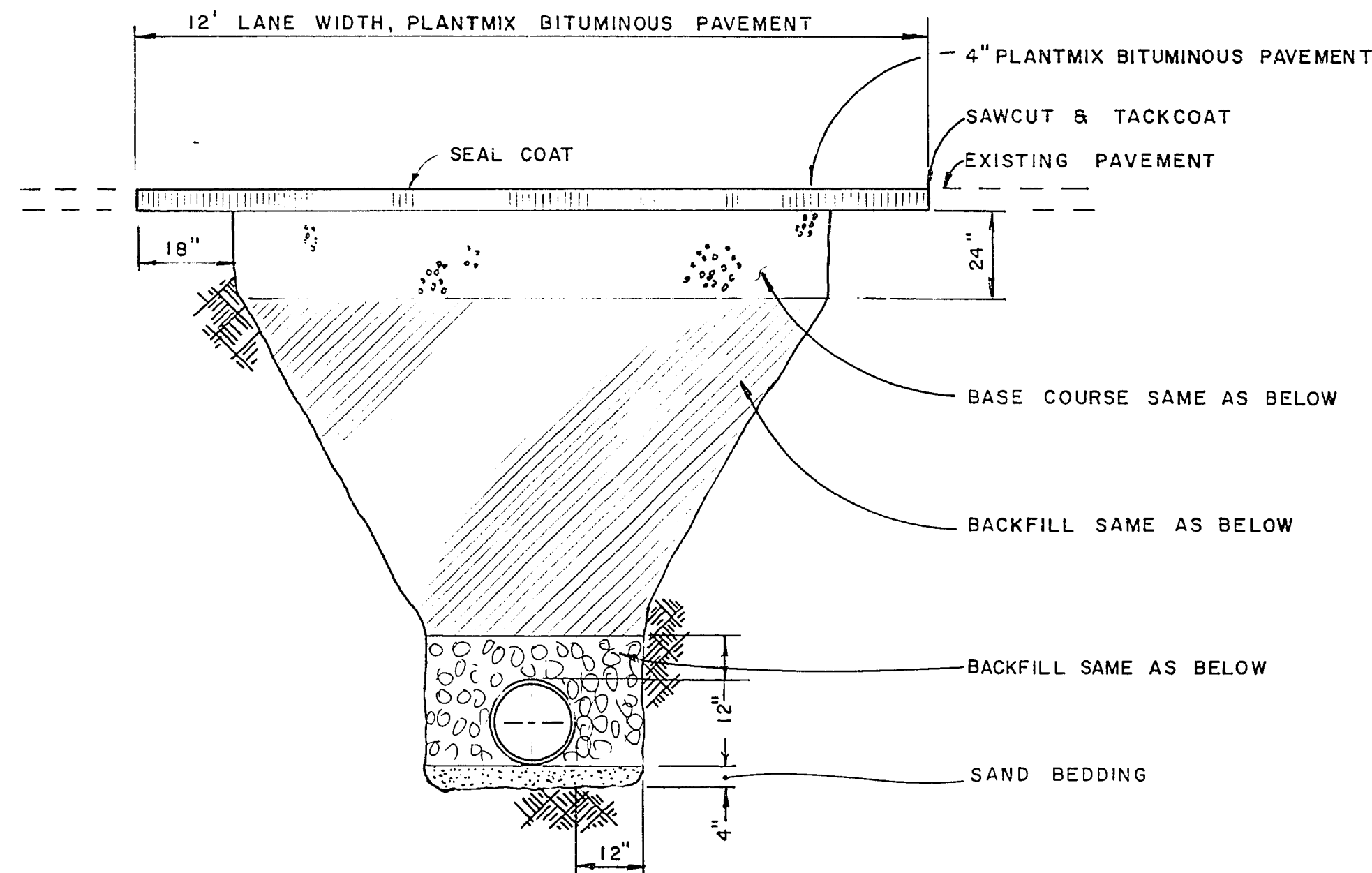


- NOTE:
1. FRAME & COVER TO BE ALHAMBRA FOUNDRY CO. TYPE A-131C OR EQUAL.
 2. CAST IRON SHALL HAVE A MINIMUM TENSILE STRENGTH OF 30,000 LBS./SQ. INCH.
 3. FRAME & COVER MACHINED TO FIT.
 4. WEIGHT OF COVER MUST BE A MINIMUM OF 150 LBS. AND FRAME MUST BE A MIN. OF 175 LBS.

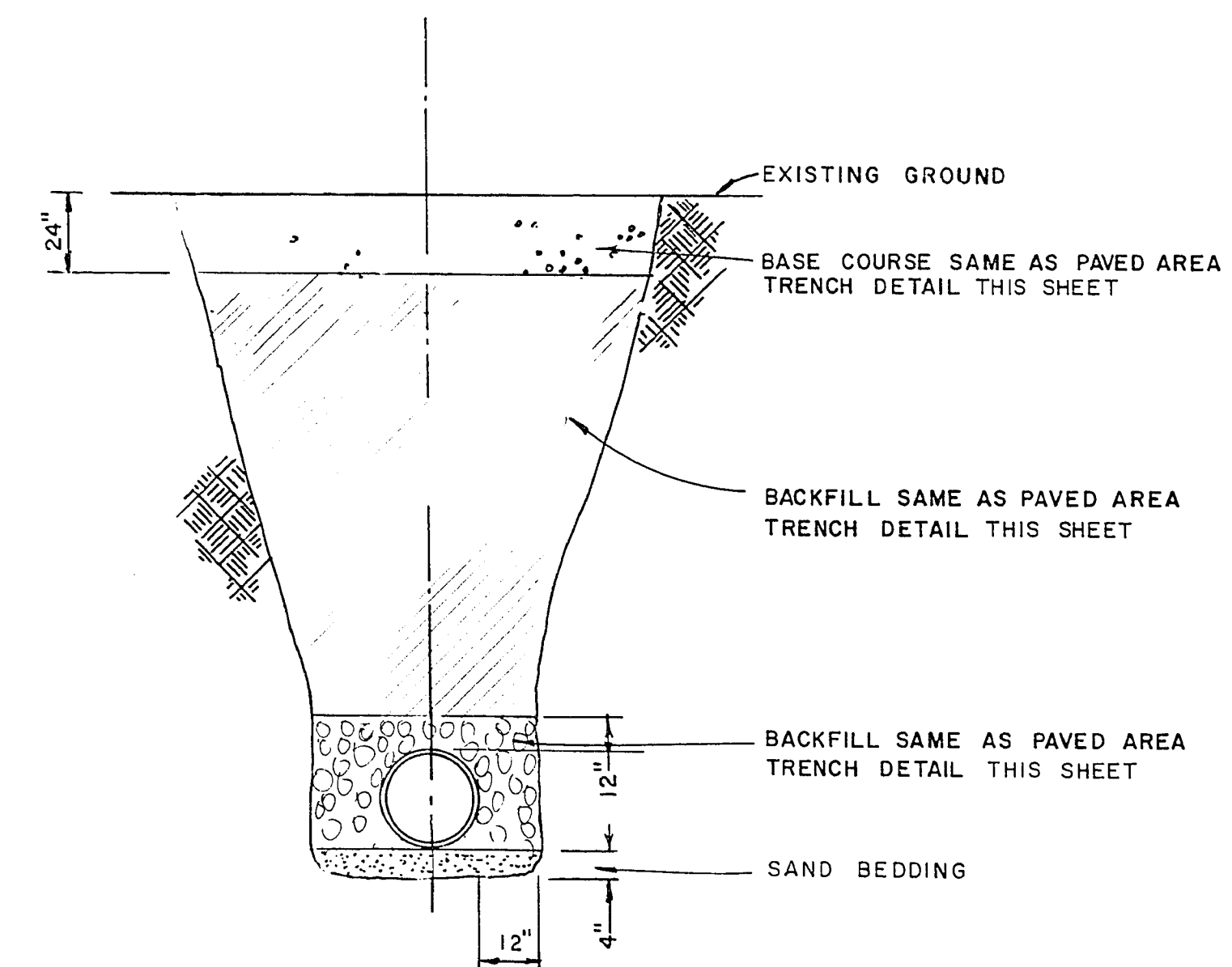
MANHOLE FRAME & COVER

NO SCALE



PAVED AREA DETAIL (FULL LANE PAVEMENT REPLACEMENT)

- NO SCALE
- STA. 7+00 TO 13+20
 - 25+60 TO 41+00
 - 49+35 TO 50+75
 - 89+60 TO 91+40 OPEN GRADE



UNPAVED AREAS TRENCH DETAIL

- NO SCALE
- STA. 0+00 TO 0+85
 - 1+20 TO 7+00
 - 41+00 TO 49+35
 - 50+75 TO 56+00
 - 91+40 TO 121+45
 - ALSO 65' @ DECATUR & CHEYENNE

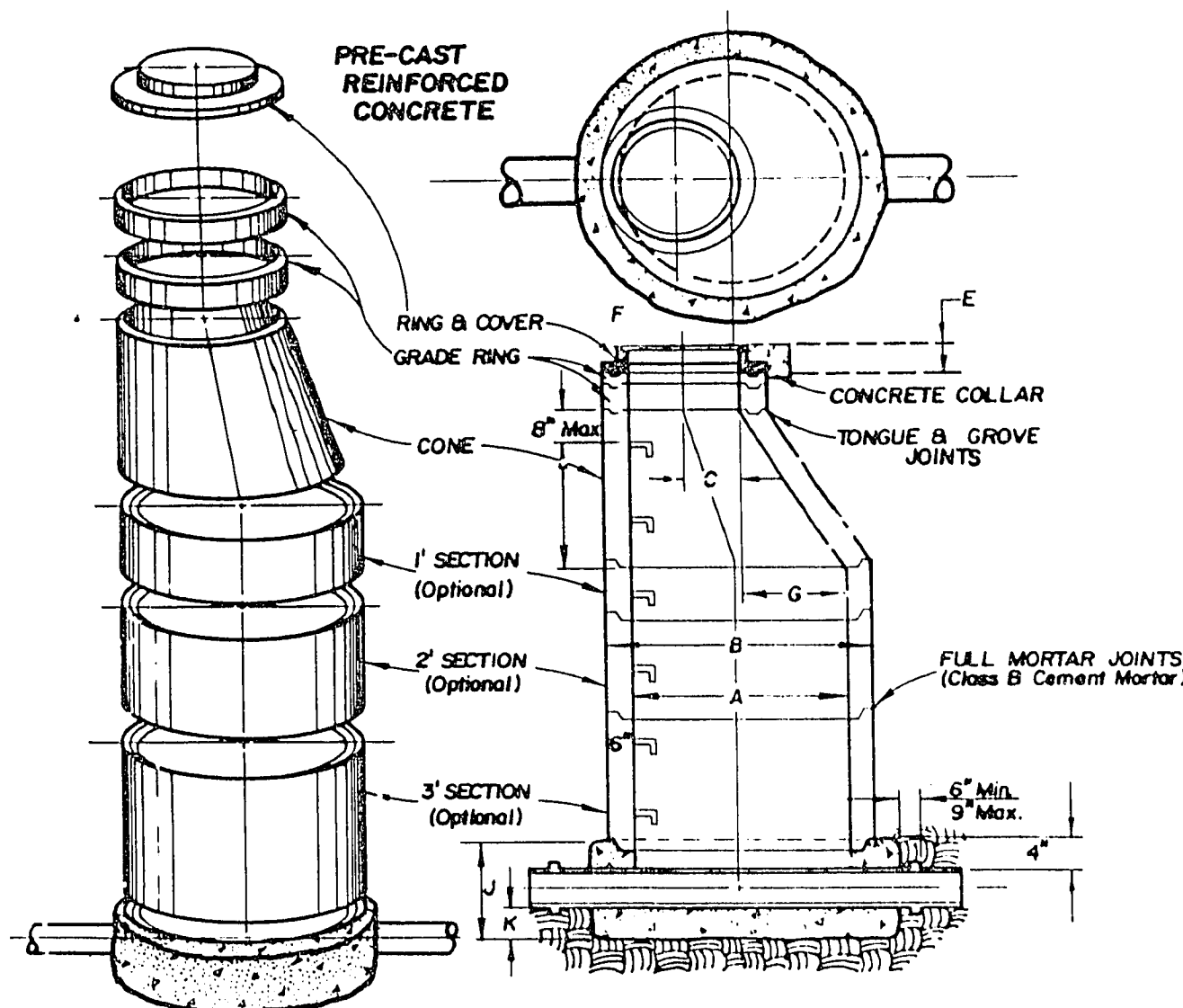
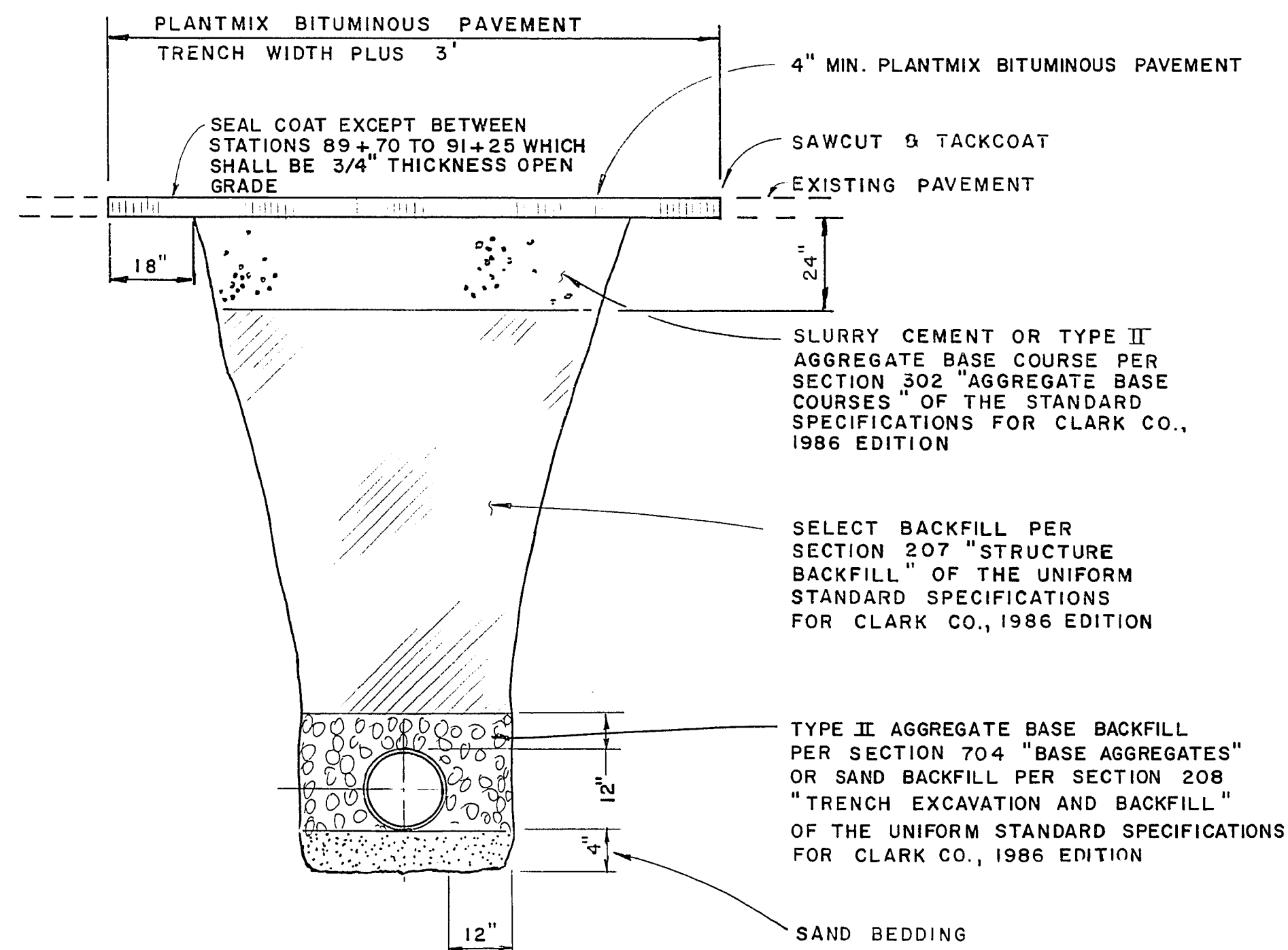


TABLE OF DIMENSIONS										
SIZE	A	B	C	D	E	F	G	H	J	K
48	48	60	12	36	6	24	23	Var	9	
60	60	72	12	54	6	24	36	Var	12	
72	72	84	12	72	6	16	42	Var	12	

- NOTE:
- STANDARD ECCENTRIC MANHOLE**
1. PRECAST CONCRETE SECTION SHALL CONFORM TO ASTM C-478 AS LAST AMENDED.
 2. STANDARD MANHOLE BASE TO BE POURED AT SITE (MAY BE SQUARE).
 3. TYPICAL MANHOLE SHALL BE 60" DIA. UNLESS OTHERWISE SPECIFIED.
 4. ALL CONCRETE SHALL BE TYPE V OR TYPE II WITH FLY ASH.
 5. ALL MANHOLE STEPS SHALL FACE UPSTREAM.

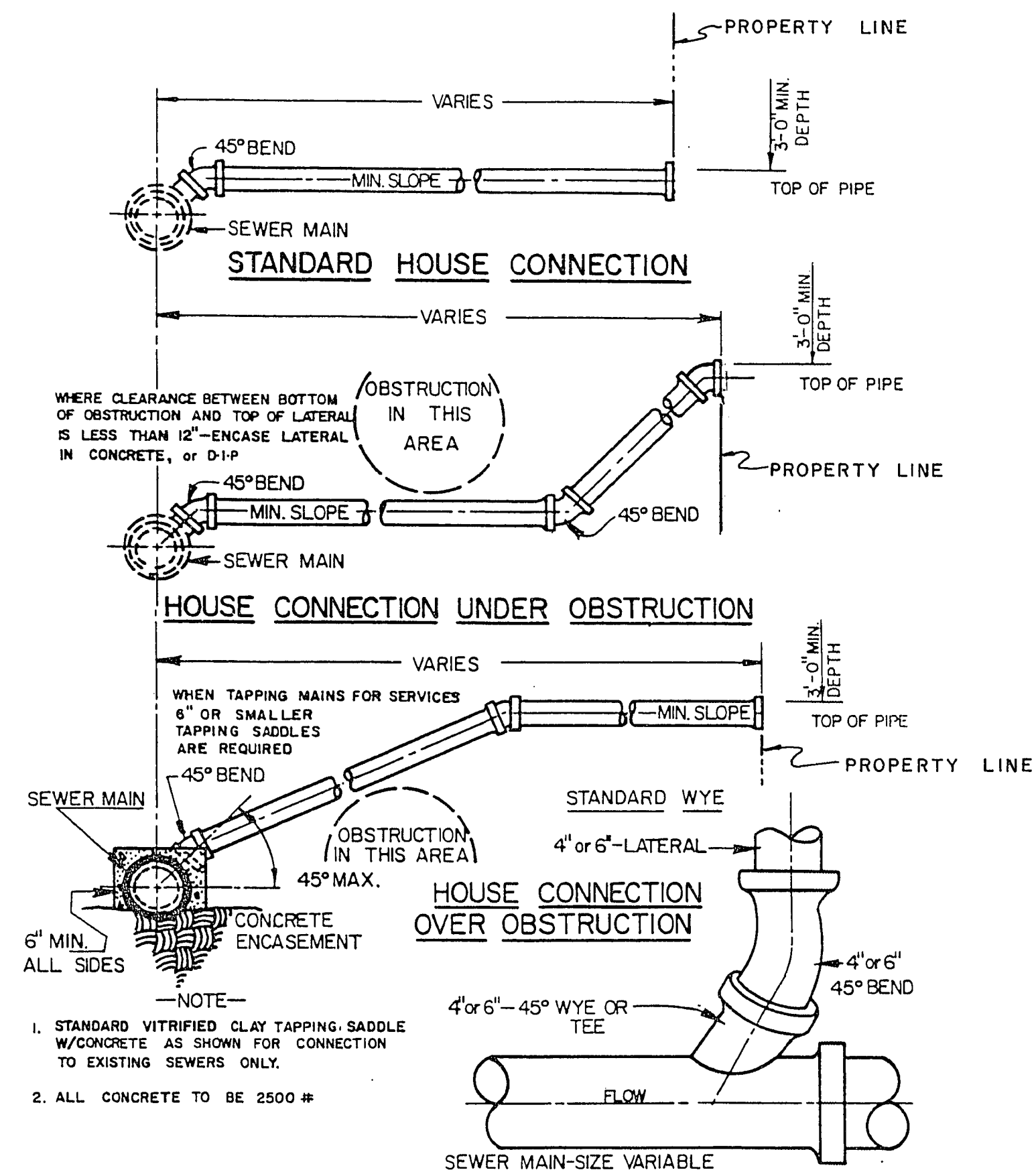
STANDARD MANHOLE

NO SCALE



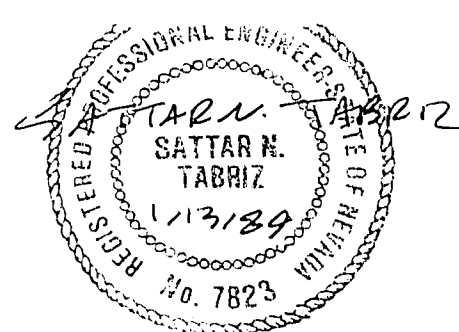
PAVED AREA DETAIL (TRENCH PAVEMENT REPLACEMENT)

- NO SCALE
- STA. 0+85 TO 1+20
 - 13+20 TO 25+60
 - 56+00 TO 89+60
 - 121+45 TO 121+50
 - ALSO, 100' @ DECATUR AND 55' @ MIRAMAR



STANDARD LATERAL DETAILS

NO SCALE



24-1-76 307-V634