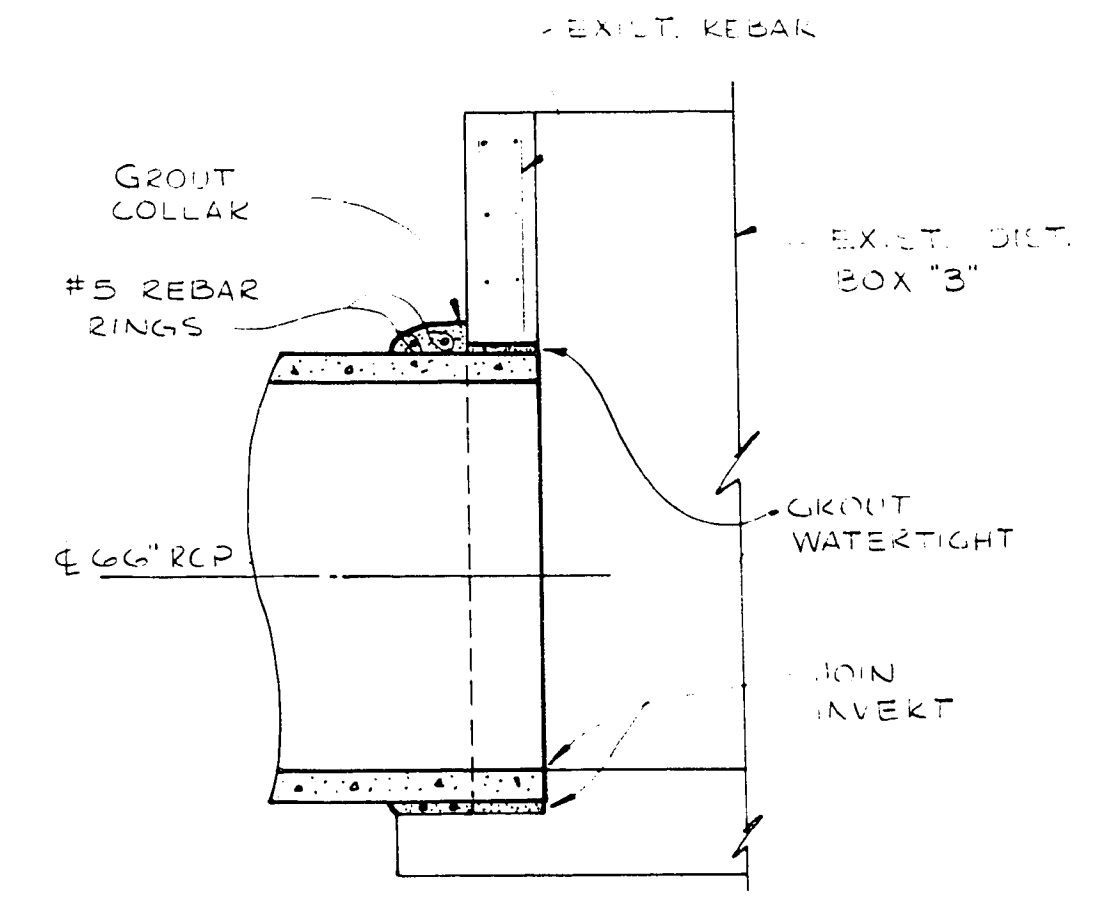
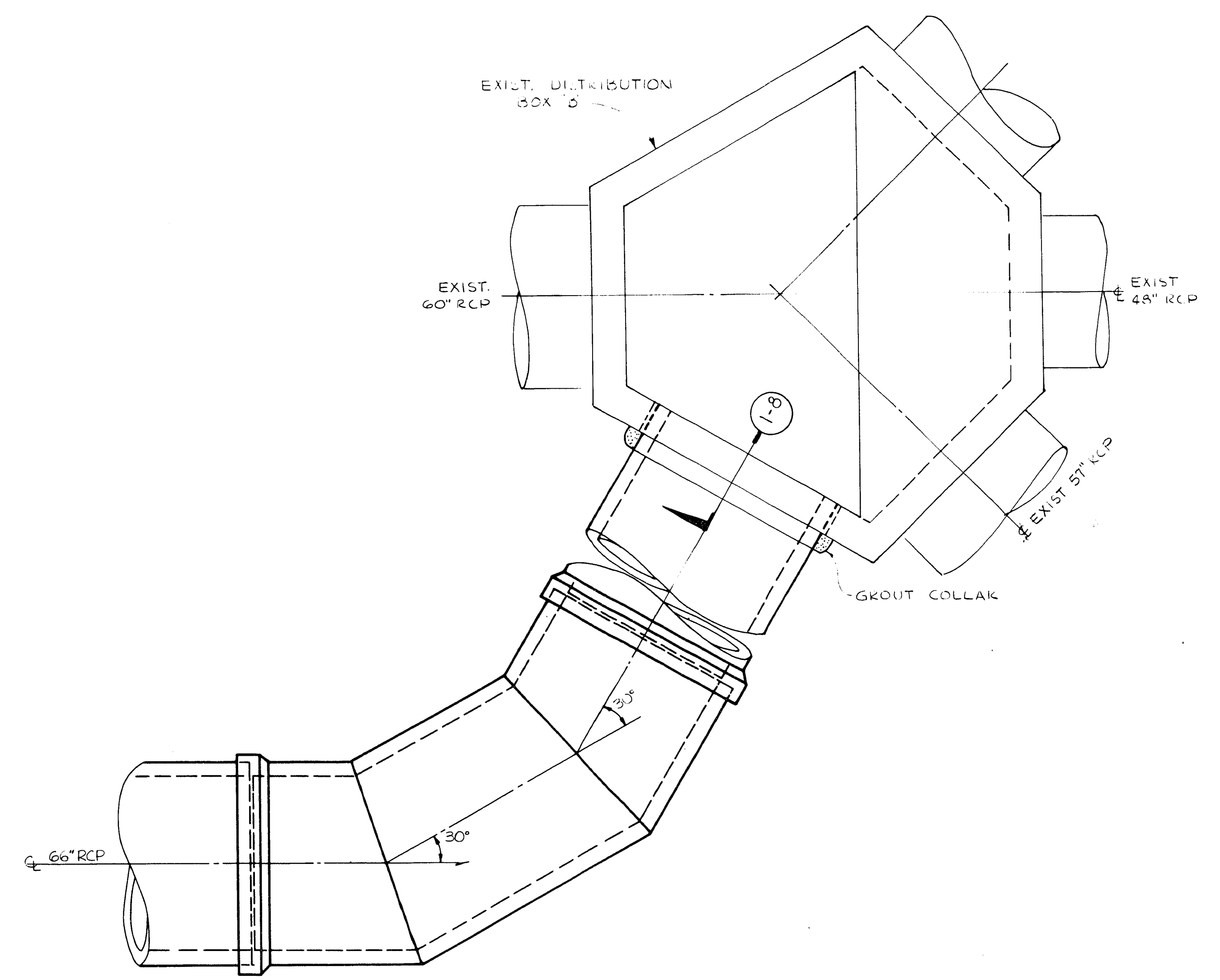


PLAN
DEMOLITION DETAIL
SCALE: 1/4" = 1'-0"

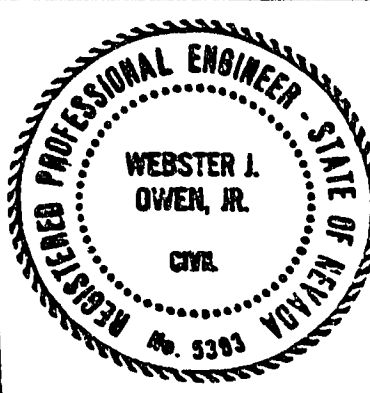


SECTION 11B
SCALE: 3/8" = 1'-0"



PLAN
SCALE: 3/8" = 1'-0"

NO.	BY	REVISION	DATE



Designed FWP
 Drawn EFW
 Checked FWP
 Approved FWP

PROJECT NO. 456
 DATE 5-18-81



CULP/WESNER/CULP

EL DORADO HILLS, CALIFORNIA
 SANTA ANA, CALIFORNIA

CITY OF LAS VEGAS, NEVADA
 WASTEWATER TREATMENT PLANT
 EXPANSION
 CONTRACT NO. 9
 INFLUENT SEWER

PLAN & DETAILS

SHEET
8
 OF 8

21-1-61 307-V551