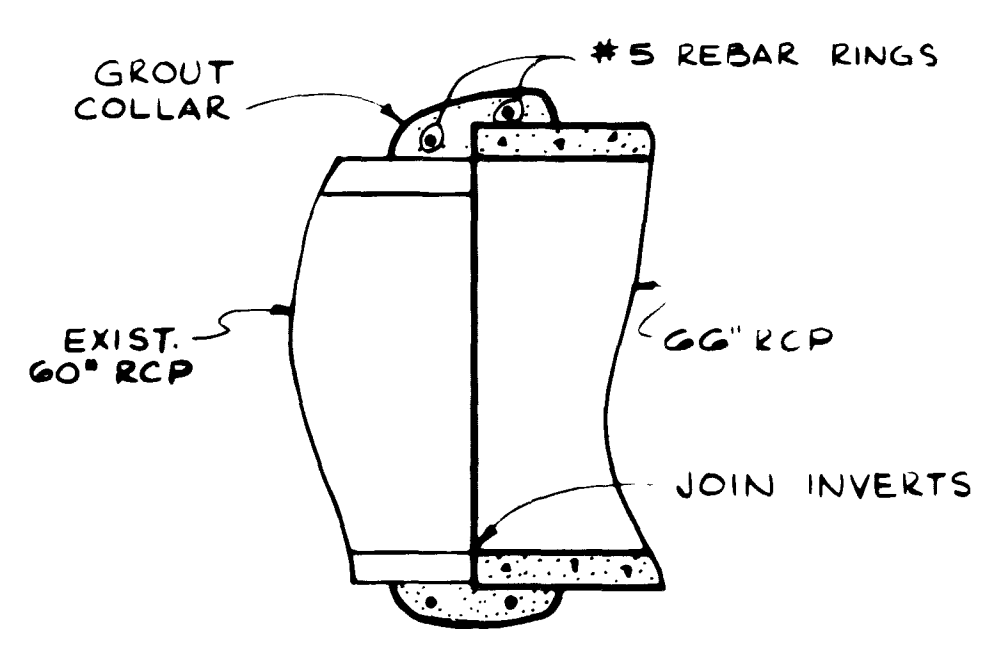
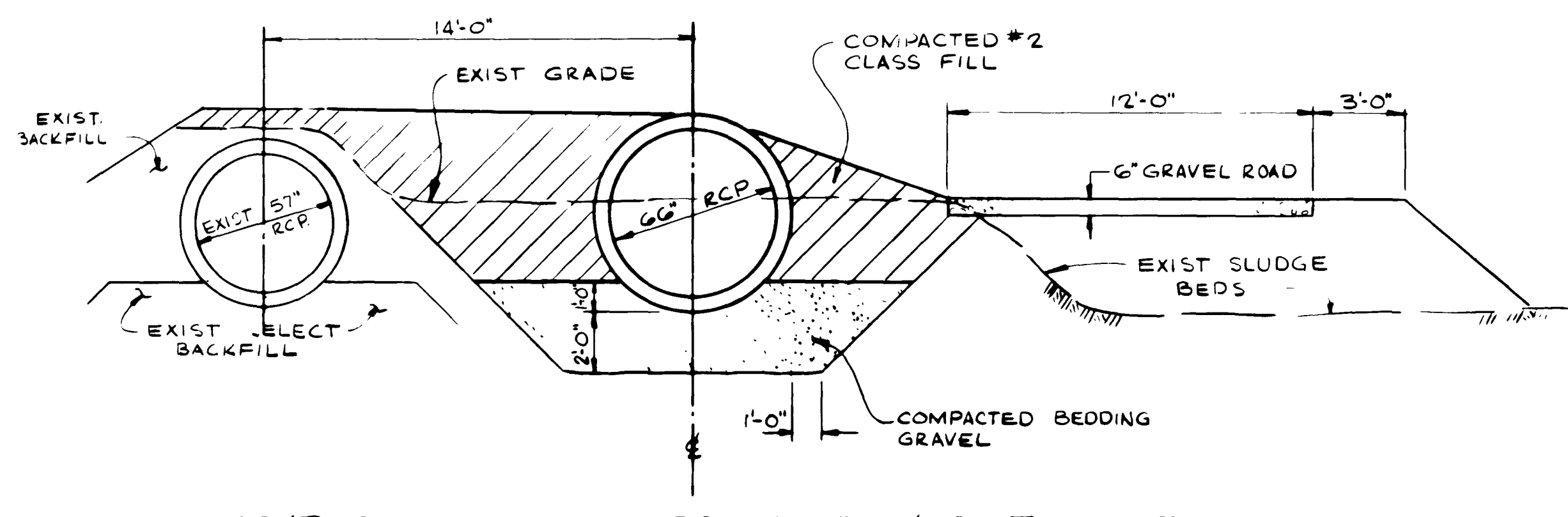


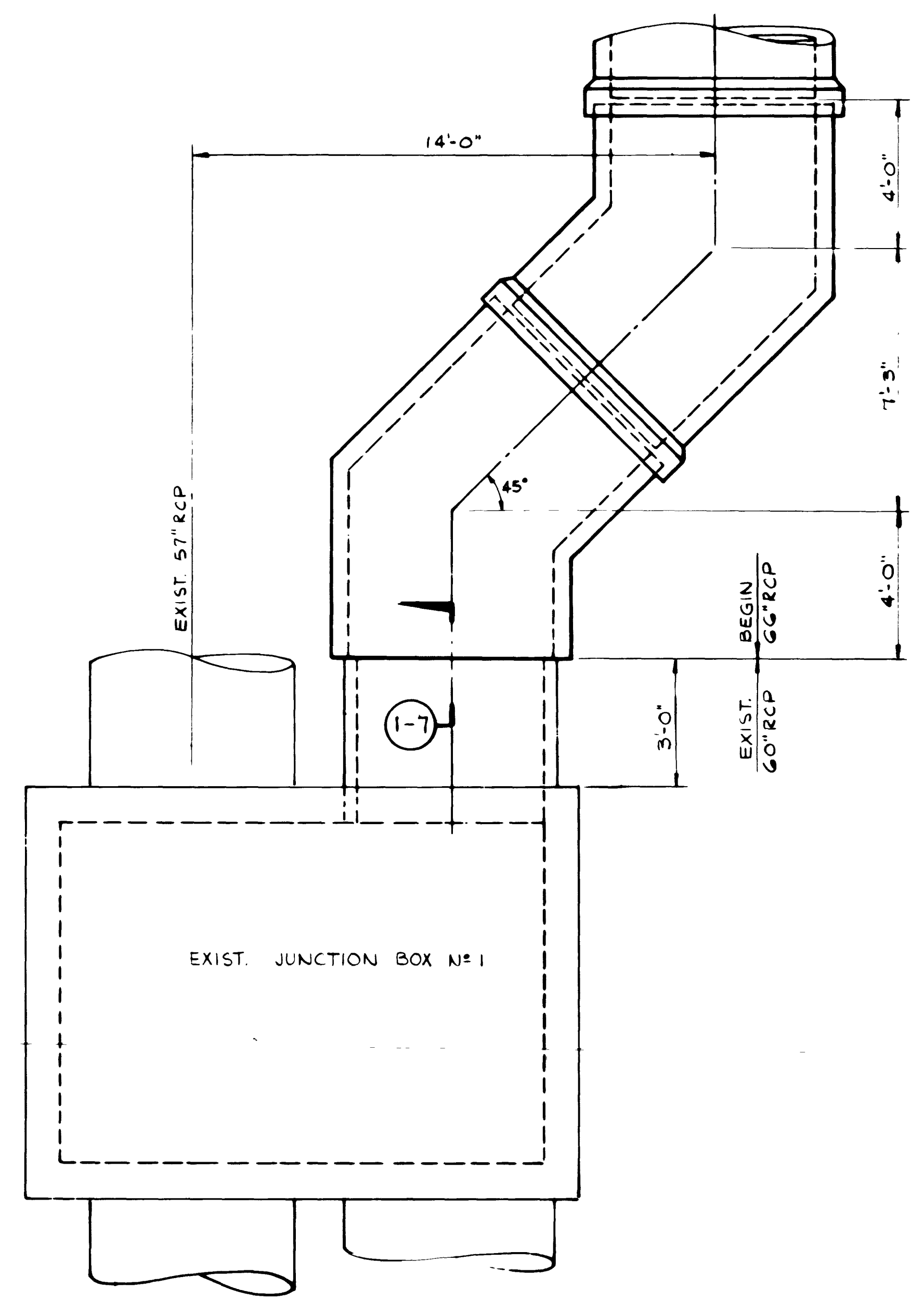
PLAN  
DETAIL-MANHOLE & 90° TURN  
SCALE: 3/8"=1'-0"



SECTION 17  
SCALE: 3/8"=1'-0"

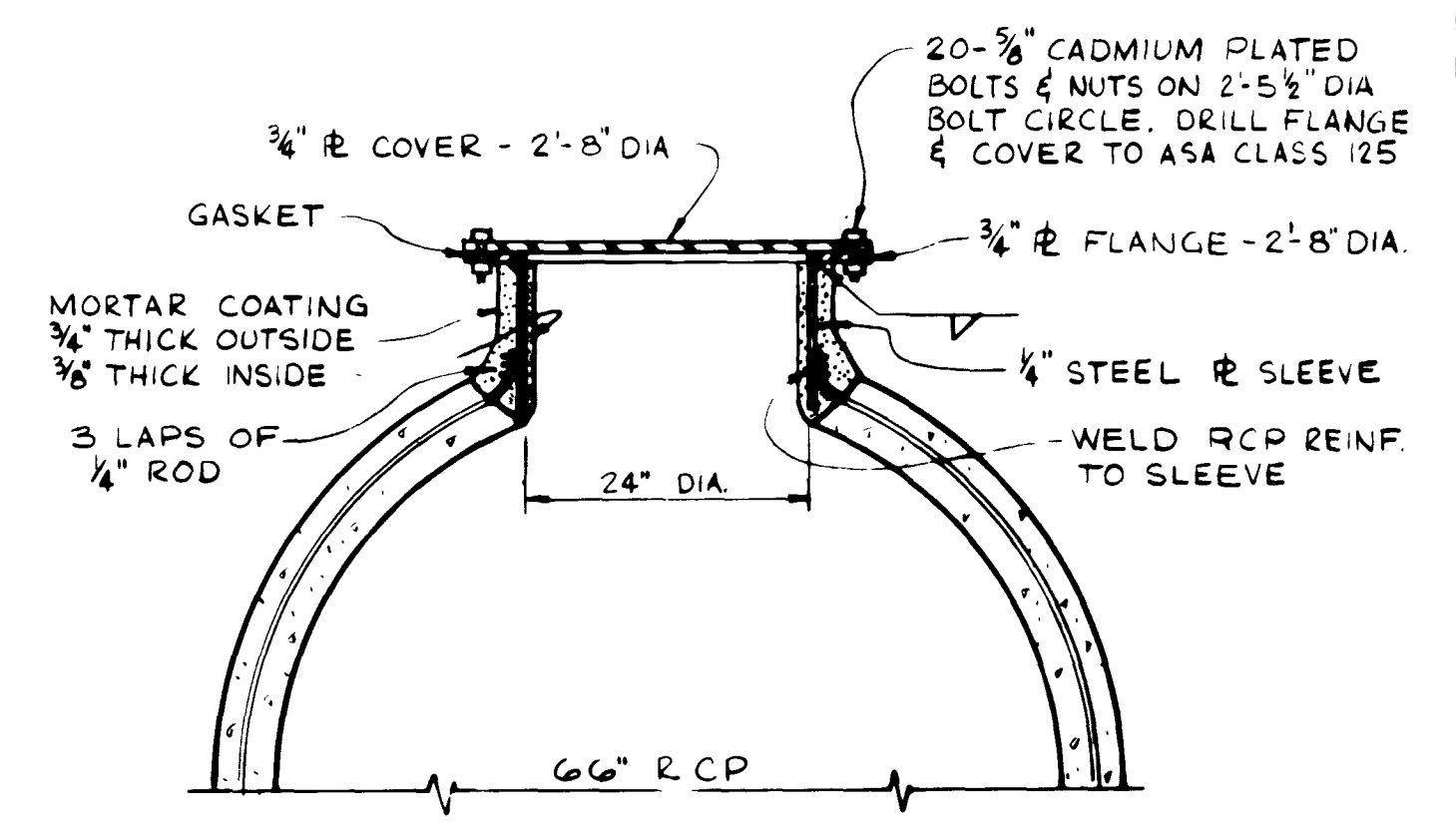


TYPICAL SECTION FROM STA. 14+25 TO 30+70  
SCALE: 1/4"=1'-0"

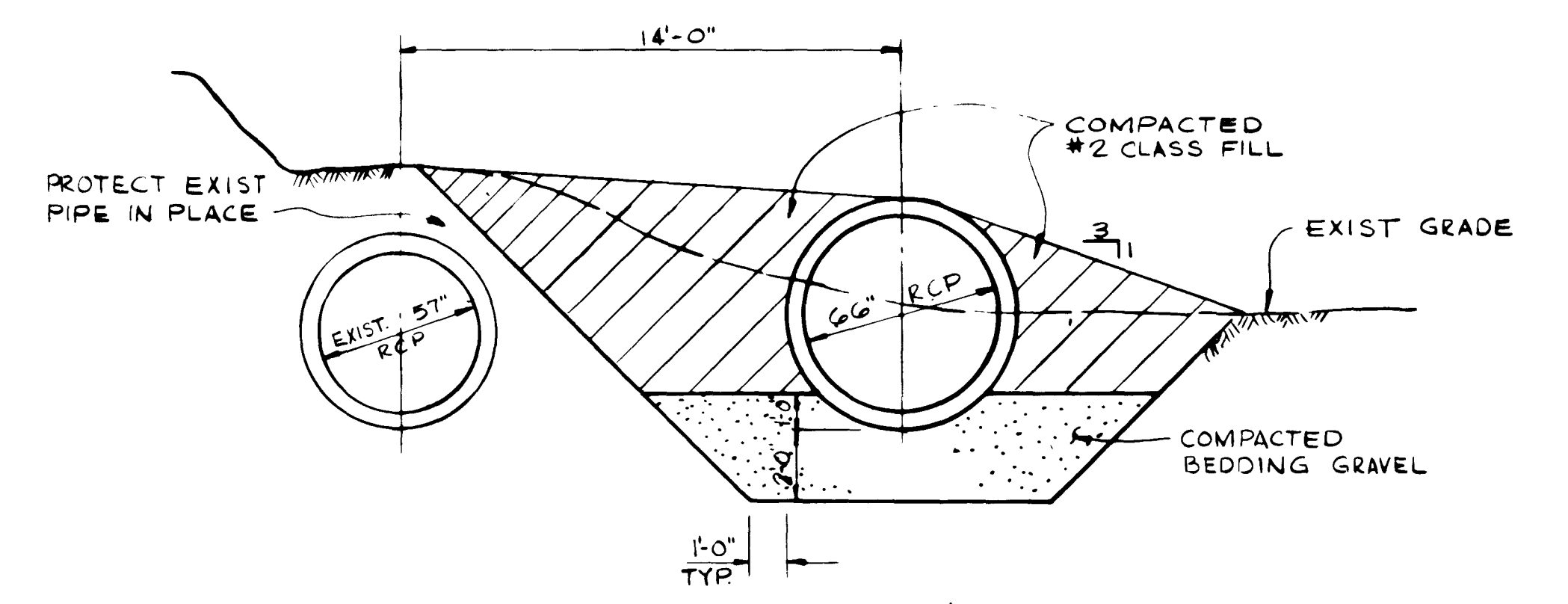


PLAN  
SCALE: 3/8"=1'-0"

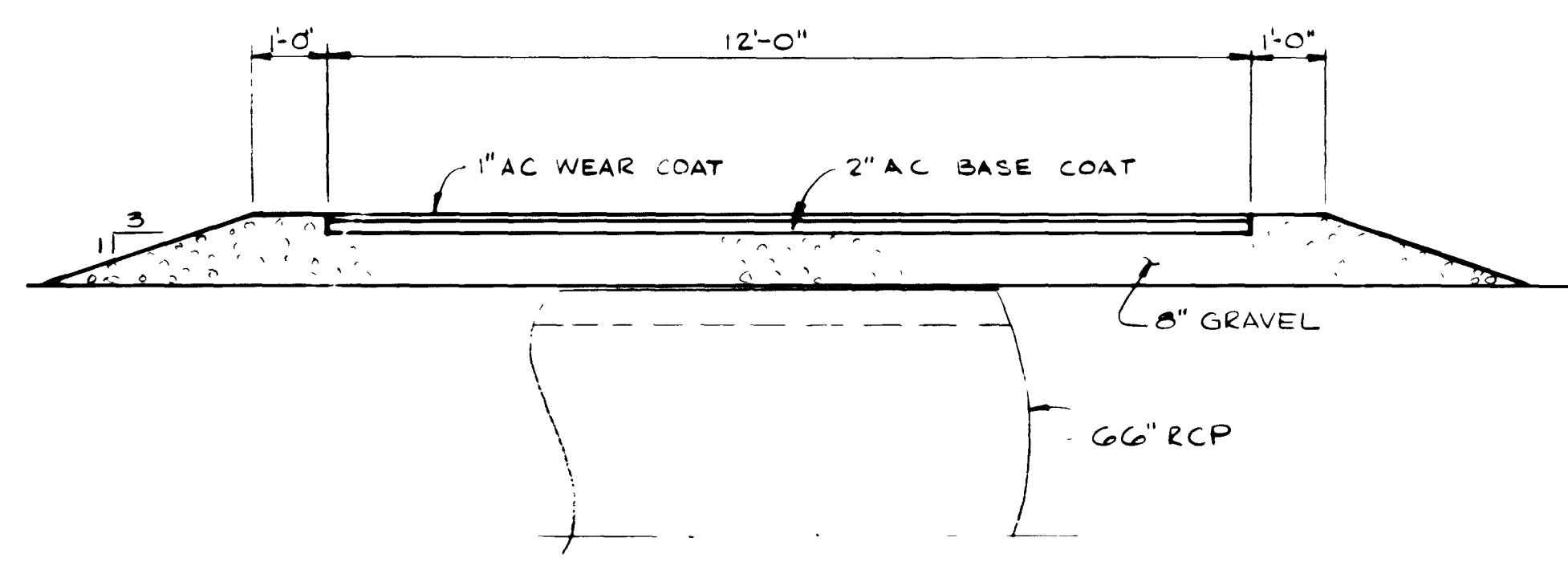
NOTE:  
COVER EXPOSED METAL SURFACES  
(INSIDE AND OUT) WITH TWO  
COATS OF COAL TAR



PRESSURE MANHOLE & COVER  
SCALE: 3/8"=1'-0"



TYPICAL SECTION FROM STA. 89+0 TO 14+25  
SCALE: 1/4"=1'-0"



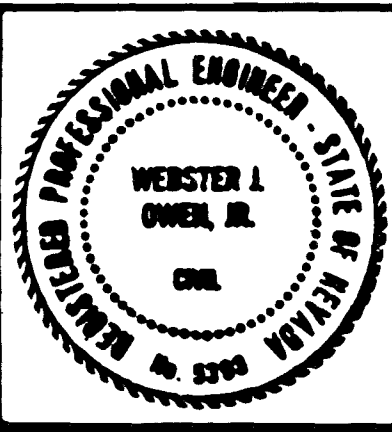
TYPICAL PAVING DETAIL  
SCALE: 1/2"=1'-0"

GENERAL REINFORCED CONCRETE NOTES

- ALL CONCRETE TO BE  $f'_c = 3,750$  PSI IN 28 DAYS UNLESS SPECIFICALLY NOTED OTHERWISE.
- CONCRETE COVER FOR REINFORCEMENT UNLESS NOTED OTHERWISE.
 

LOCATION	MINIMUM
CONCRETE CAST AGAINST AND PERMANENTLY EXPOSED TO EARTH.	3"
CONCRETE EXPOSED TO EARTH, WEATHER OR LIQUID CONTAINMENT STRUCTURES.	2"
BAR IN BEAMS OR GIRDERS, INCLUDING STIRRUPS.	1 1/2"
STRUCTURAL SLABS	1"
- LAPPED SPLICES SHALL NOT BE MADE AT POINTS OF MAX. STRESS AS DETERMINED BY THE ENGINEER AND SHALL NOT BE SPACED CLOSER THAN 12 BAR DIAMETERS. NO MORE THAN 1/2 OF THE BARS SHALL BE SPICED WITHIN A LENGTH OF 40 BAR DIAMETERS.

NO.	BY	REVISION	DATE



Designed	FWP	PROJECT NO.	45G
Drawn	EFW	DATE	5-18-81
Checked	FWP		
Approved	FWP		

**CULP/WESNER/CULP**  
EL DORADO HILLS, CALIFORNIA  
SANTA ANA, CALIFORNIA

CITY OF LAS VEGAS, NEVADA  
WASTEWATER TREATMENT PLANT  
EXPANSION  
CONTRACT NO. 9  
INFLUENT SEWER

PLAN & DETAILS

SHEET  
**7**  
of 8

21-1-60 307-V 551

