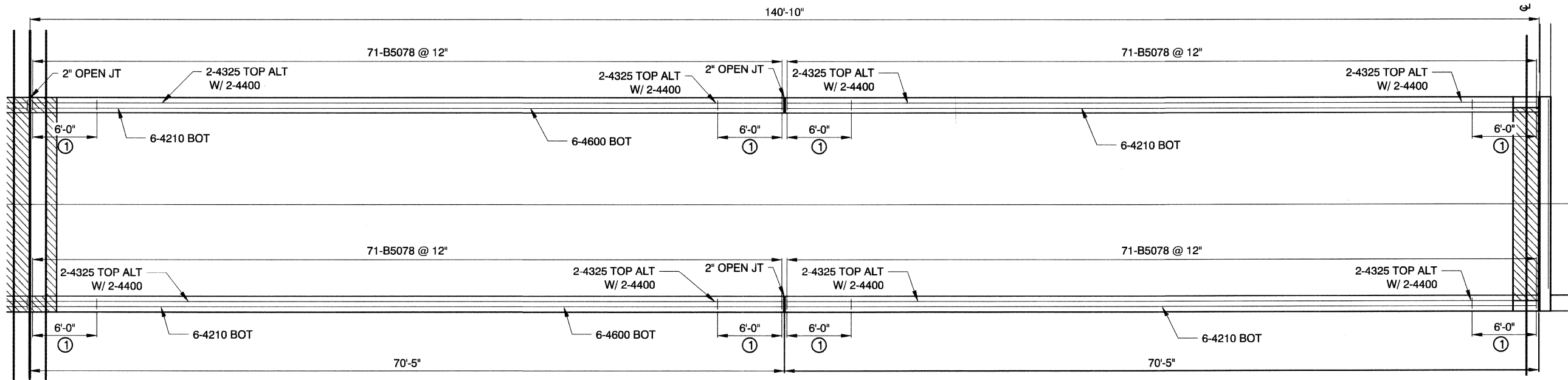


PLAN - BARRIER RAIL SPAN 1

NOTES:

① 6 - ADDITIONAL B5078 @ 12" PAIRED WITH 6 ADDITIONAL D5061 BARS @ 12"



PLAN - BARRIER RAIL SPAN 2

PREPARED BY <b>CITY OF LAS VEGAS</b> DEPARTMENT OF PUBLIC WORKS CAPITAL PROJECT MGMT		PREPARED BY <b>FOGEMEYER DESIGN GROUP</b> <small>8980 Smoke Ranch Road - Suite 110          Las Vegas, Nevada 89123 - (702) 252-8100</small>	
BID# 17-4898B DATE: JANUARY 2018 SUBMITTAL STAGE: <b>100% FINAL</b>	DESIGNED BY: SRR DRAWN BY: AP CHECKED BY: AP	NO.   DATE   REVISIONS	
<b>CIMARRON PEDESTRIAN BRIDGE AT SUMMERLIN PARKWAY</b>		<b>BARRIER RAIL</b>	
TITLE SHEET			
<b>BRS-603</b>		SHEET <b>42 OF 86</b>	
DRAWING NO. <b>676-22</b>		FEDERAL PROJECT NUMBER: CM-0003(180)	

G:\14078 CIMARRON PEDESTRIAN BRIDGE\14898B\SHEET SET\DWG\H4898B-07-SIG.DWG  
 1/9/18