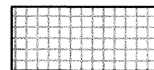
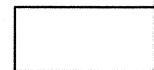


TOP SLAB, CLOSURE POURS, APPROACH SLABS & BARRIER RAIL CLASS E MODIFIED (MAJOR) HIGH PERFORMANCE CONCRETE, F'C = 5,000 PSI @ 28 DAYS.

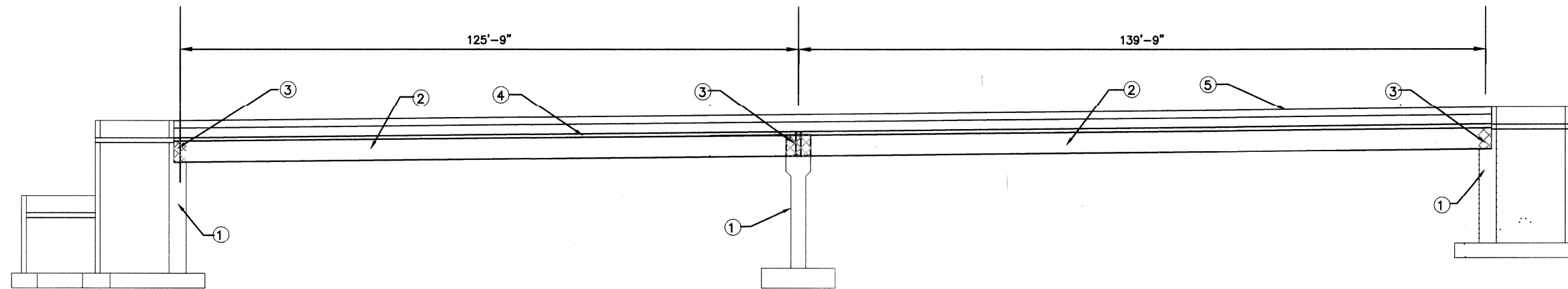


ABUTMENT FOOTINGS, ABUTMENTS, PIER & RETAINING WALLS: CLASS A MODIFIED (MAJOR) CONCRETE, F'C = 5,000 PSI @ 28 DAYS



PRE-STRESSED I-GIRDER (SEE SHEET BRS-504, AND BRS-506)

CONCRETE CLASSIFICATION DIAGRAM



CONCRETE POURING SCHEDULE

POURING SCHEDULE NOTES:

- ① ABUTMENTS AND PIER SHALL BE CONSTRUCTED FIRST.
- ② THE GIRDERS SHALL BE PLACED.
- ③ CLOSURE POURS AT ABUTMENT AND PIER DIAPHRAGMS SHALL BE PLACED.
- ④ TOP SLAB CONCRETE. DO NOT PLACE DECK CONCRETE UNTIL ALL INTERMEDIATE DIAPHRAGMS HAVE PROPERLY BEEN INSTALLED. COMPLETE THE INTERMEDIATE DIAPHRAGMS AT LEAST 48 HOURS BEFORE DECK PLACEMENT.
- ⑤ BARRIER RAIL SHALL BE PLACED.

G:\14078 CIMARRON PEDESTRIAN BRIDGE\H48938\SHEET SET\DWG\H48938-07-S06.DWG

 PREPARED BY CITY OF LAS VEGAS DEPARTMENT OF PUBLIC WORKS CAPITAL PROJECT MGMT	 ROGEMEYER DESIGN GROUP <small>6990 Smoke Ranch Road - Suite 110 Las Vegas, Nevada 89129 - (702) 255-9100</small>	BID# 17-48938 DESIGNED BY: SRR DRAWN BY: AP CHECKED BY: AP	DATE: JANUARY 2018 SUBMITTAL STAGE: 100% FINAL	NO. DATE REVISIONS
TITLE CIMARRON PEDESTRIAN BRIDGE AT SUMMERLIN PARKWAY				
SHEET CONCRETE CLASSIFICATION DIAGRAM AND CONCRETE POURING SCHEDULE				
SHEET BRS-507 39 OF 86 <small>DRAWING NO.</small> 676-22				