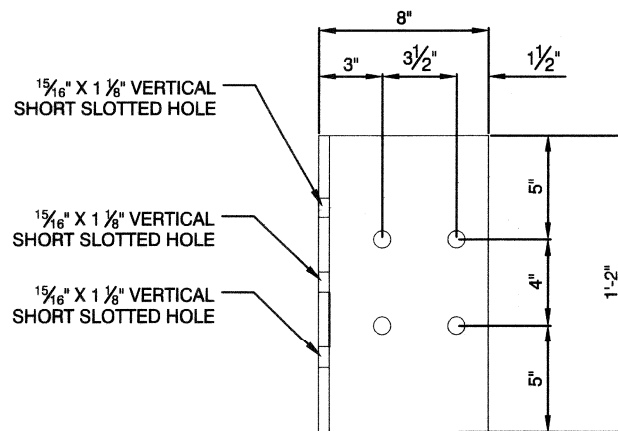


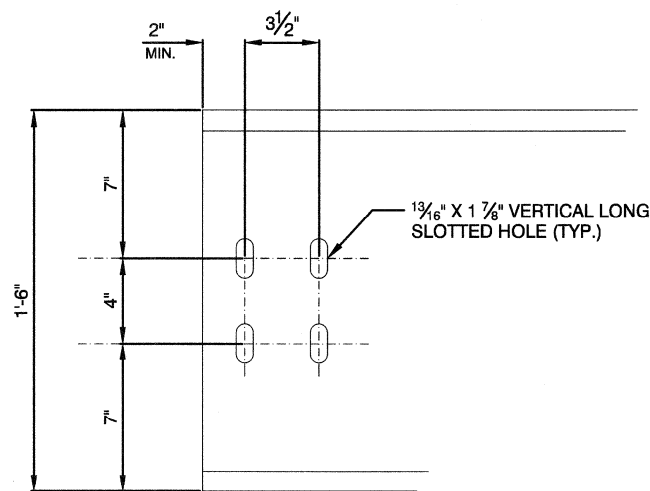
**ELEVATION**



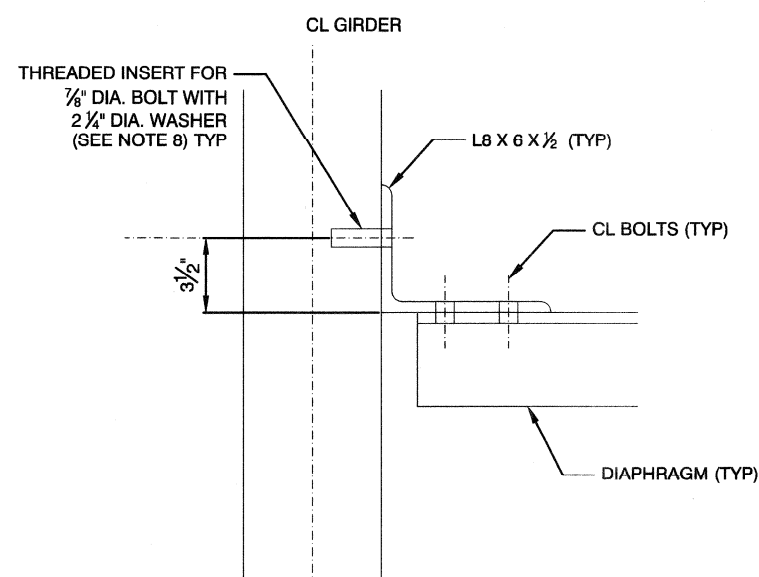
**CONNECTION ANGLE**

**NOTES:**

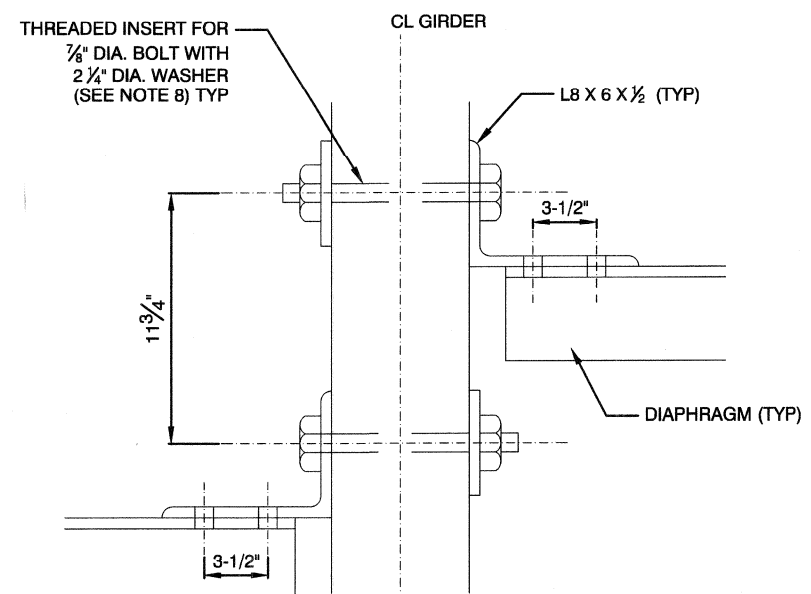
1. ALL INTERMEDIATE DIAPHRAGMS SHALL BE PLACED PERPENDICULAR TO THE GIRDERS. DIAPHRAGM CONNECTION TO BE LOCATED ON THE GIRDER WEB.
2. ALL STEEL SHALL BE ASTM A709 GRADE 50 AND GALVANIZED IN ACCORDANCE WITH ASTM A123.
3. FABRICATE INTERMEDIATE DIAPHRAGMS WITH ENDS PARALLEL TO GIRDER WEBS.
4. USE ASTM A307 GRADE A 7/8\" DIA. BOLTS FOR STEEL TO CONCRETE CONNECTIONS. USE ASTM A325 3/4\" DIA. HIGH STRENGTH BOLTS FOR STEEL TO STEEL CONNECTIONS.
5. WASHERS SHALL BE ASTM F436. ALL BOLTS, NUTS, AND WASHERS SHALL BE GALVANIZED IN ACCORDANCE WITH ASTM A153.
6. FIELD DRILLING OF DIAPHRAGM CONNECTIONS ANGLES IS PERMITTED. ALL OTHER HOLES SHALL BE SHOP DRILLED.
7. 1/2\" BENT PLATE OF EQUAL DIMENSIONS MAY BE SUBSTITUTED FOR MC18 X 42.7.
8. PLACE THREADED INSERTS/FORMED HOLES PERPENDICULAR TO GIRDER WEB. CAST THREADED INSERTS FOR BOLTS INTO GIRDERS. THE THREADED INSERTS SHALL PROVIDE A MINIMUM ULTIMATE TENSILE CAPACITY OF 11 KIPS.
9. GALVANIZE THREADED INSERTS FOR EXTERIOR GIRDERS IN ACCORDANCE WITH ASTM A153.
10. POSITION THREADED INSERTS/FORMED HOLES TO AVOID INTERFERENCE WITH PRESTRESSING STRANDS.
11. INTERMEDIATE DIAPHRAGMS TO BE PLACED EVERY L/4 ALONG SPAN OF GIRDER.



**DIAPHRAGM CONNECTION**



**SECTION A-A**



**SECTION B-B**

PREPARED BY <b>CITY OF LAS VEGAS</b> DEPARTMENT OF PUBLIC WORKS CAPITAL PROJECT MGMT	BID# 17-48938 DESIGNED BY: SPR DRAWN BY: AP CHECKED BY: AP	DATE: JANUARY 2018 SUBMITTAL STAGE: <b>100% FINAL</b>	NO. DATE REVISIONS
<b>CIMARRON PEDESTRIAN BRIDGE          AT SUMMERLIN PARKWAY</b>		<b>INTERMEDIATE DIAPHRAGM</b>	
SHEET <b>BRS-404</b>		32 OF 86 DRAWING NO. <b>676-22</b>	

G:\14078 CIMARRON PEDESTRIAN BRIDGE\48938\SHEET SET\DWG\H48938-07-504.DWG

1/3/18

FEDERAL PROJECT NUMBER: CM-0003(18U)