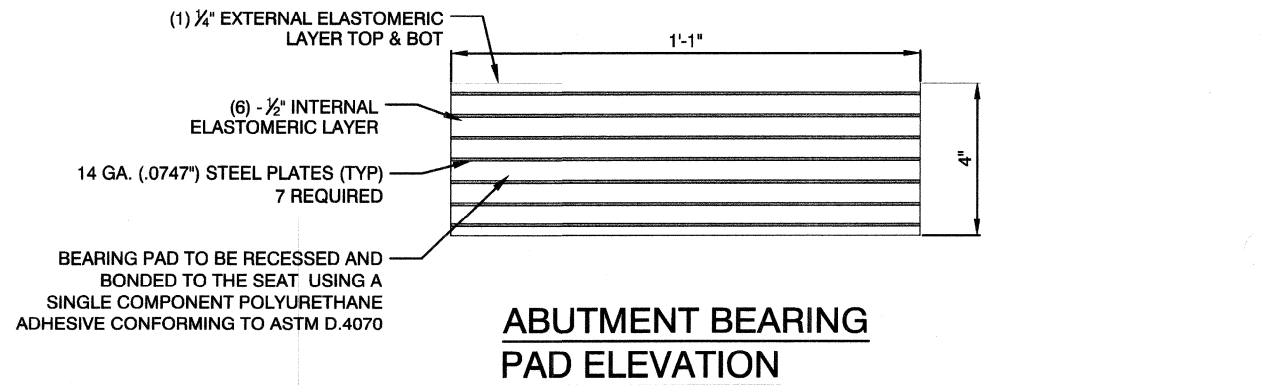
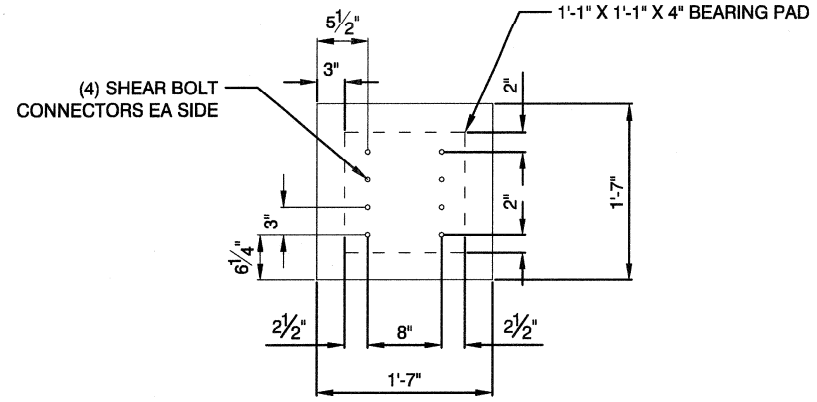


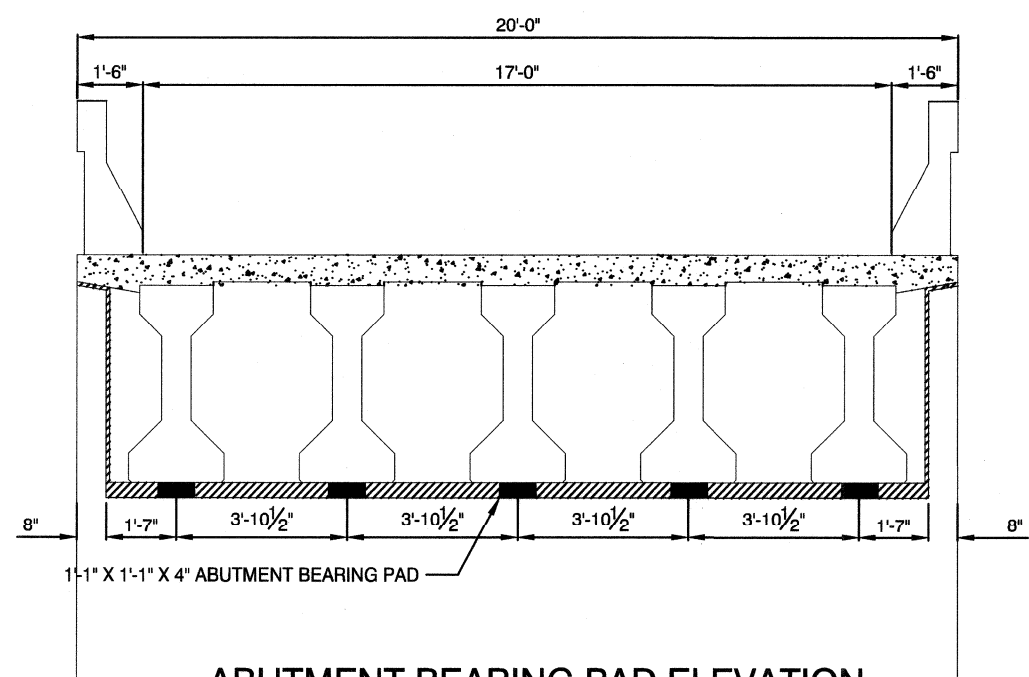
ABUTMENT BEARING PAD PLAN



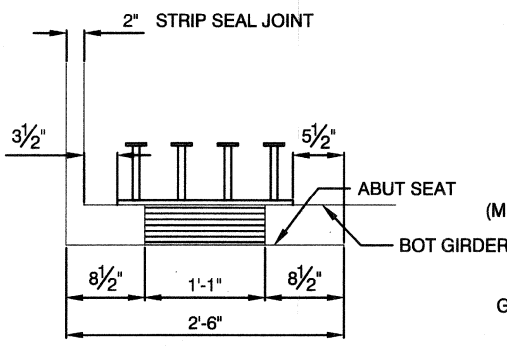
ABUTMENT BEARING PAD ELEVATION



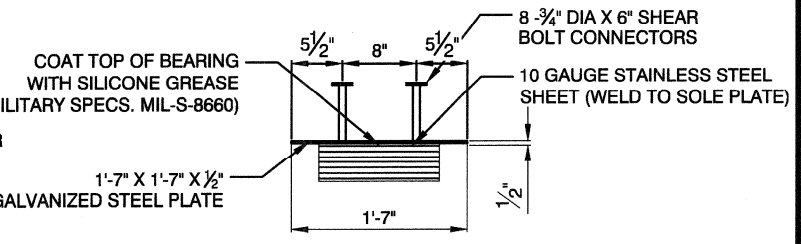
SOLE PLATE PLAN



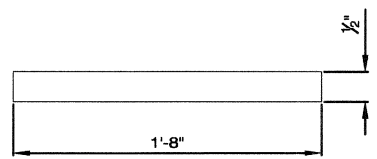
ABUTMENT BEARING PAD ELEVATION



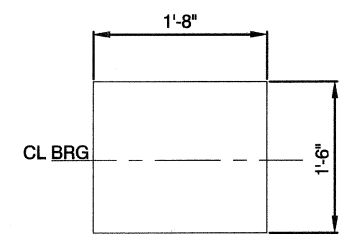
SOLE PLATE SECTION



SOLE PLATE ELEVATION



ELEVATION - PIER BEARING PAD



PLAN - PIER BEARING PAD

- NOTES:**
1. ALL DIMENSIONS ARE MEASURED ALONG CENTER LINE OF ABUTMENT
 2. PIER BEARING PADS TO HAVE SAME SPACING AS ABUTMENTS ALONG CL BRG.

1/8/18 03:14:078 CIMARRON PEDESTRIAN BRIDGE\H482838\SHEET SET\DWG\H48938-07-S04.DWG

 PREPARED BY CITY OF LAS VEGAS DEPARTMENT OF PUBLIC WORKS CAPITAL PROJECT MGMT	 FOGMEYER DESIGN GROUP <small>8989 Smoke Ranch Road - Suite 110 Las Vegas, Nevada 89125 - (702) 255-5100</small>	BID# 17-4898B DESIGNED BY: SRR DRAWN BY: AP CHECKED BY: AP	DATE: JANUARY 2018 SUBMITTAL STAGE: 100% FINAL	NO. DATE REVISIONS
CIMARRON PEDESTRIAN BRIDGE AT SUMMERLIN PARKWAY				BEARING PAD DETAILS
TITLE SHEET				
SHEET BRS-401				29 OF 86
DRAWING NO. 676-22				FEDERAL PROJECT NUMBER: CM-0003(180)