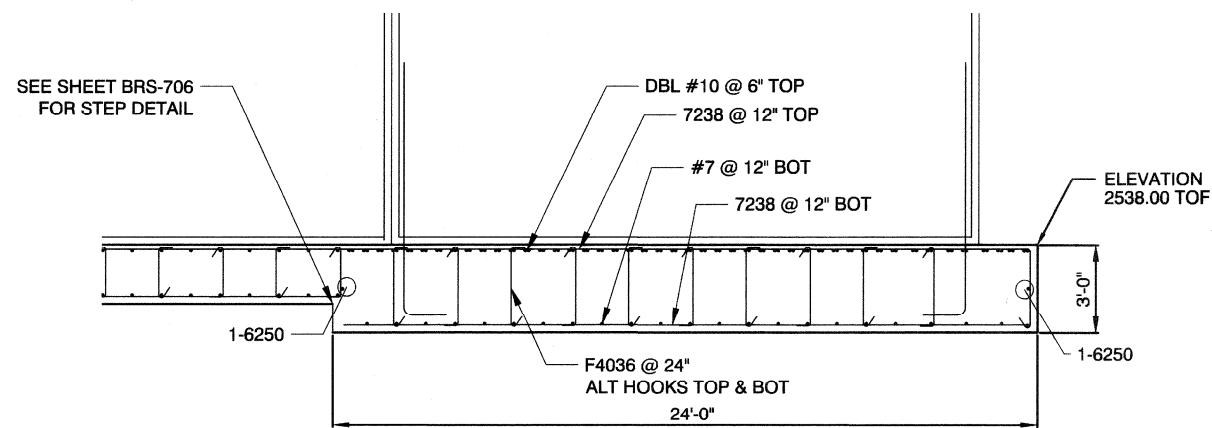
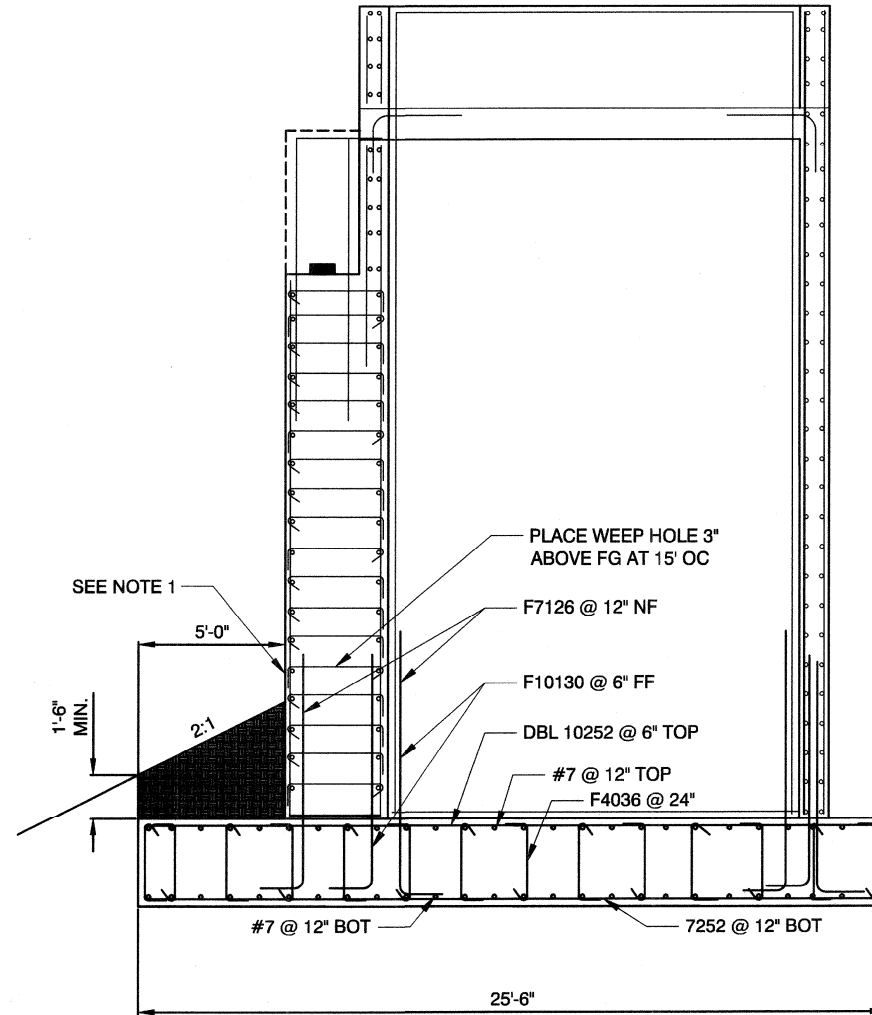


ABUTMENT 2 FOOTING PLAN



FOUNDATION ELEVATION (ABUTMENT 2)



FOUNDATION SECTION A-A (ABUTMENT 2)

NOTES:

1. SEE SHEET BRS-714 FOR WEEPHOLE DETAILS
2. SEE AESTHETIC DRAWINGS FOR AESTHETIC TREATMENTS.
3. SEE ELECTRICAL DRAWINGS FOR CONDUIT PLACEMENT / DETAILS.

G:\14078 CIMARRON PEDESTRIAN BRIDGE\48938\SHEET SET\DWG\H48938-07-S02.DWG

1/8/18

 PREPARED BY DEPARTMENT OF PUBLIC WORKS CAPITAL PROJECT MGMT	 POGEMEYER DESIGN GROUP <small>6860 Smoke Ranch Road, Suite 110 Las Vegas, Nevada 89117, (702) 255-9100</small>	NO. DATE REVISIONS
CITY OF LAS VEGAS H# 48938	BID# 17-48938 DESIGNED BY: SRR DRAWN BY: AP CHECKED BY: AP	
PREPARED FOR CIMARRON PEDESTRIAN BRIDGE AT SUMMERLIN PARKWAY	DATE: JANUARY 2018 SUBMITTAL STAGE: 100% FINAL	
ABUTMENT 2 FOOTING PLAN ELEVATION & SECTION		
SHEET BRS-203 25 OF 86 DRAWING NO. 676-22		
FEDERAL PROJECT NUMBER: CM-0003(18U)		