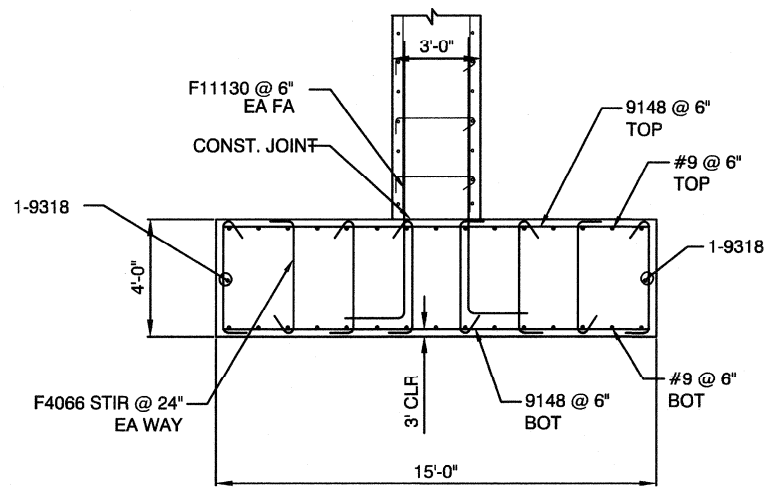
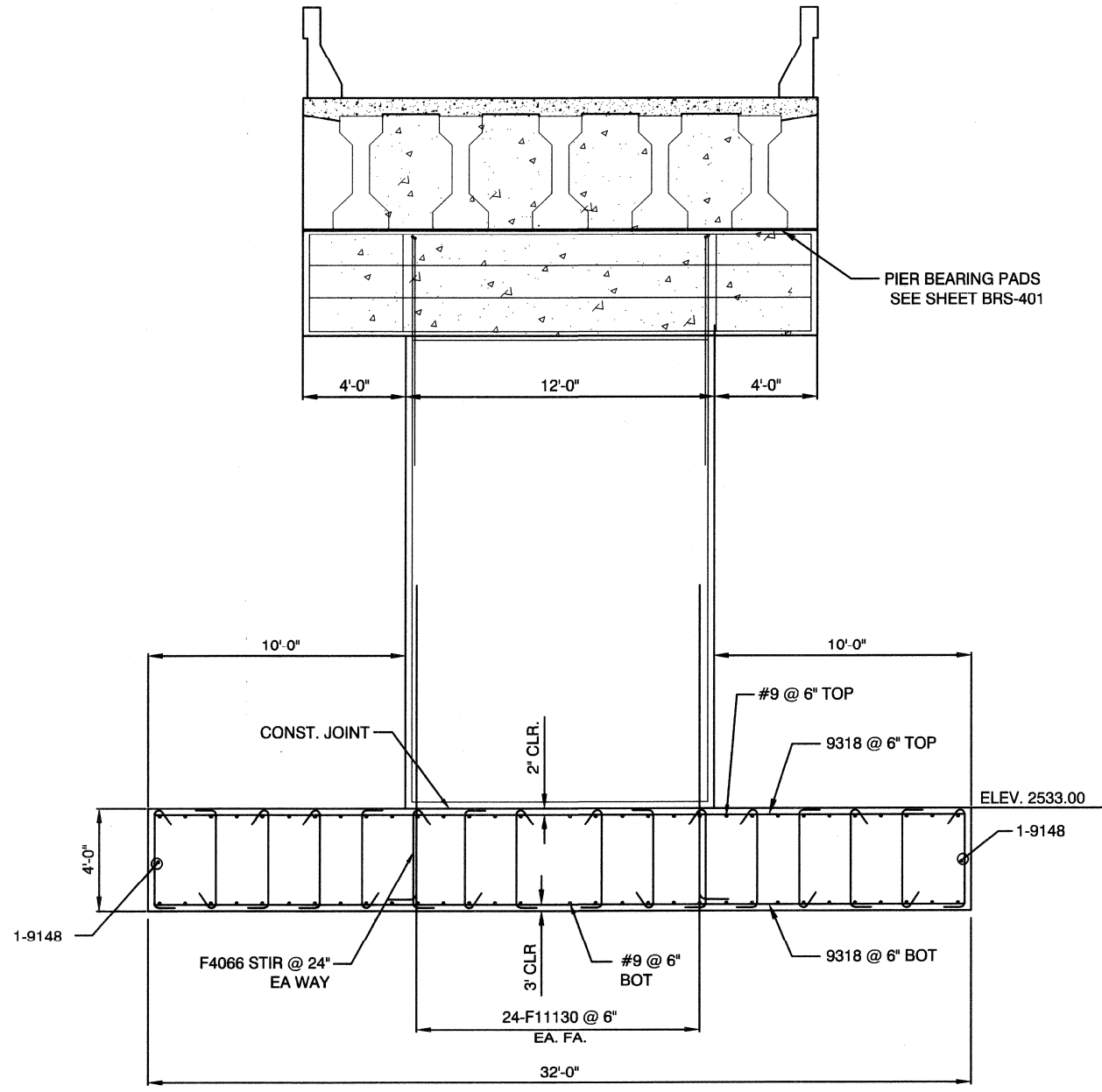


**FOUNDATION PLAN**



**FOUNDATION SECTION A-A (PIER 1)**



**PIER ELEVATION**

PREPARED BY <b>CITY OF LAS VEGAS</b> DEPARTMENT OF PUBLIC WORKS CAPITAL PROJECT MGMT		DESIGNED BY: SRR DRAWN BY: AP CHECKED BY: AP	
BID# 17-48938 DATE: JANUARY 2018 SUBMITTAL STAGE: <b>100% FINAL</b>	PREPARED FOR <b>CITY OF LAS VEGAS</b>	NO.   DATE	REVISIONS
<b>CIMARRON PEDESTRIAN BRIDGE AT SUMMERLIN PARKWAY</b>		<b>PIER 1 FOOTING PLAN, ELEVATION, &amp; SECTION</b>	
TITLE SHEET			
SHEET <b>BRS-202</b>		24 OF 86	
DRAWING NO. <b>676-22</b>		FEDERAL PROJECT NUMBER: CM-0003(100)	

G:\14078 CIMARRON PEDESTRIAN BRIDGE\H48938\SHEET SET\DWG\H48938-07-502.DWG  
 1/9/18