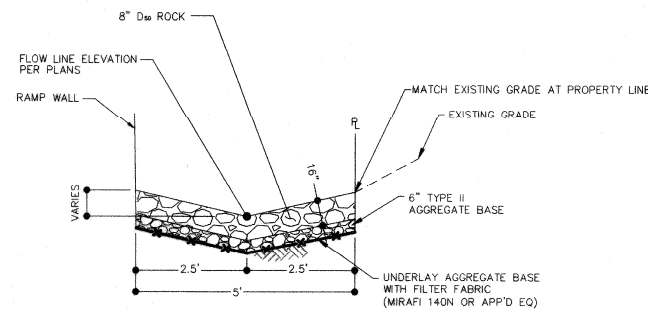
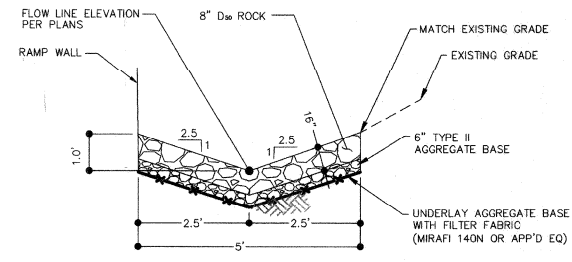


NOTES:
1. STATIONS BASED OFF SUMMERLIN ALIGNMENT



NOTES:
STATIONS BASED OFF SUMMERLIN ALIGNMENT

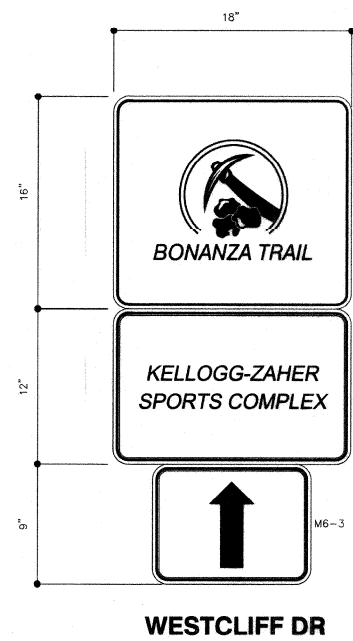
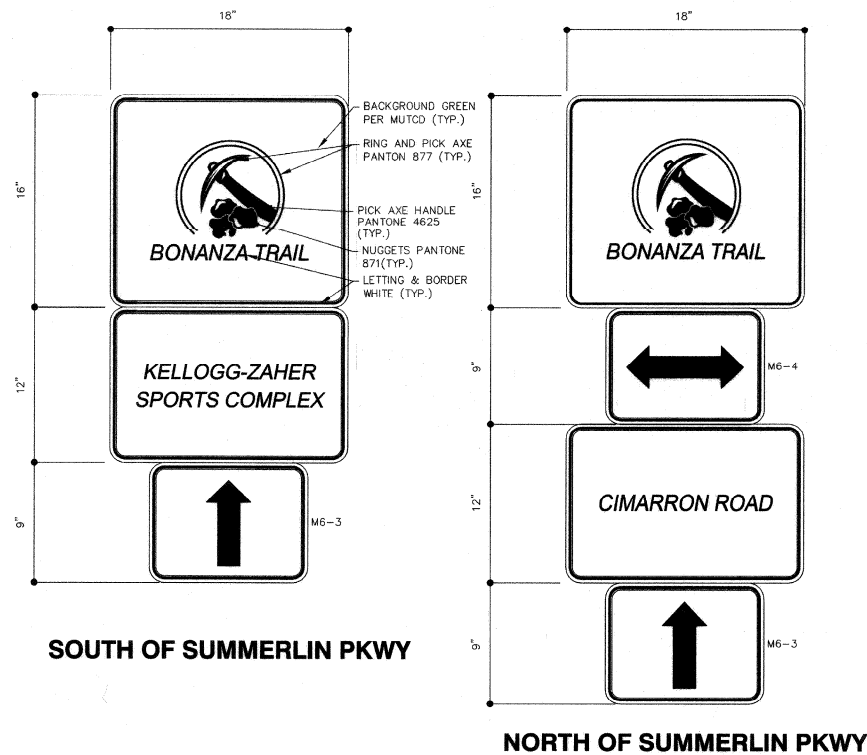


NOTES:
STATIONS BASED OFF SUMMERLIN ALIGNMENT

**DRAINAGE SWALE
STA 11+19 TO 12+12**
SCALE: N.T.S.

**DRAINAGE SWALE
STA 12+12 TO 14+00**
SCALE: N.T.S.

**DRAINAGE SWALE
STA 14+00 TO 14+58**
SCALE: N.T.S.

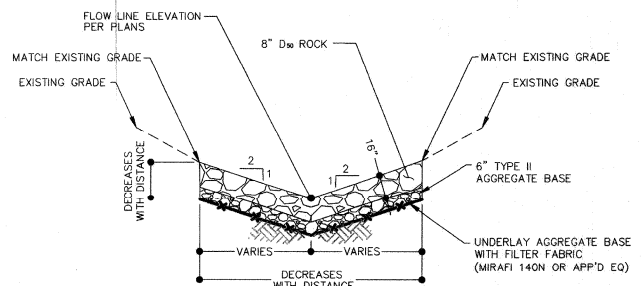


- INSTALL SIGN PER MUTCD REQUIREMENTS AND THE SIGN PLACEMENT DETAIL THIS SHEET.
- ALL SIGNS INSTALLED SHALL HAVE 3M SERIES 1160 OR APPROVED EQUIVALENT ANTI-GRAFFITI PROTECTIVE OVERLAY FILM.
- CONTRACTOR SHALL SUBMIT FINAL SIGN DESIGNS TO THE ENGINEER FOR APPROVAL PRIOR TO FABRICATION.



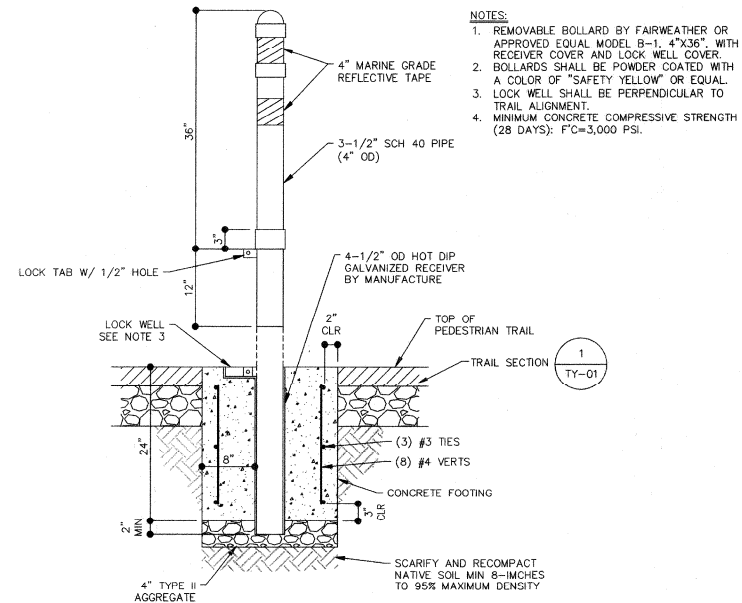
**PROPORTION
EXAMPLE**

**SIGNAGE DETAIL
BONANZA TRAIL & CIMARRON RD**
SCALE: N.T.S.



NOTES:
STATIONS BASED OFF SUMMERLIN ALIGNMENT

**DRAINAGE SWALE
STA 15+05 TO 16+55**
SCALE: N.T.S.



REMOVABLE LOCKABLE BOLLARD
SCALE: N.T.S.

CALL BEFORE CONSTRUCTION		
BEFORE YOU DIG	USA NORTH	811 OR 800-227-2600
	F.A.S.T.	702-432-5300
BEFORE YOU UNDERGROUND	CLARK COUNTY TRAFFIC OPERATIONS	702-455-7511
	CITY OF LAS VEGAS T.E.F.O.	702-229-6611
BEFORE YOU OVERHEAD	NV ENERGY	702-227-2929

PREPARED BY
**DEPARTMENT OF PUBLIC WORKS
CAPITAL PROJECT MGMT**

DESIGNED BY: SR
DRAWN BY: AG
CHECKED BY: AP

DATE: JANUARY 2018
SUBMITTAL STAGE: 100% FINAL

DESIGNER:
POGEMEYER DESIGN GROUP
1860 S. MOHAVE BLVD., SUITE 100
LAS VEGAS, NEVADA 89102 (702) 252-9100

PREPARED FOR
CITY OF LAS VEGAS

BID# 17-48938

H# 48938

TITLE
**CIMARRON PEDESTRIAN BRIDGE
AT SUMMERLIN PARKWAY**

SHEET
TYPICAL SECTIONS / CIVIL DETAILS

REGISTERED PROFESSIONAL ENGINEER
ADAM P. PILARZ
Exp. 12-31-19
CIVIL
No. 21404
12-21-17

SHEET
TY-02
12 OF 86
DRAWING NO.
676-22