

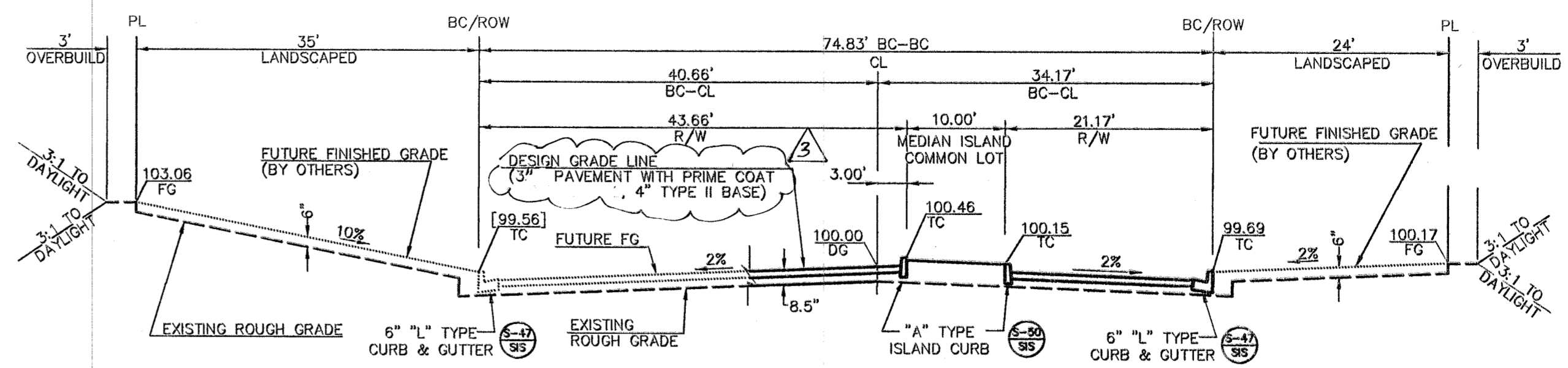
DATE: 2-2-21

NO.	DESCRIPTION	DATE
1	ISSUE FOR PERMIT	02/02/21
2	ISSUE FOR PERMIT	02/02/21
3	ISSUE FOR PERMIT	02/02/21
4	ISSUE FOR PERMIT	02/02/21
5	ISSUE FOR PERMIT	02/02/21
6	ISSUE FOR PERMIT	02/02/21
7	ISSUE FOR PERMIT	02/02/21
8	ISSUE FOR PERMIT	02/02/21
9	ISSUE FOR PERMIT	02/02/21
10	ISSUE FOR PERMIT	02/02/21
11	ISSUE FOR PERMIT	02/02/21
12	ISSUE FOR PERMIT	02/02/21
13	ISSUE FOR PERMIT	02/02/21
14	ISSUE FOR PERMIT	02/02/21
15	ISSUE FOR PERMIT	02/02/21
16	ISSUE FOR PERMIT	02/02/21
17	ISSUE FOR PERMIT	02/02/21
18	ISSUE FOR PERMIT	02/02/21
19	ISSUE FOR PERMIT	02/02/21
20	ISSUE FOR PERMIT	02/02/21
21	ISSUE FOR PERMIT	02/02/21
22	ISSUE FOR PERMIT	02/02/21
23	ISSUE FOR PERMIT	02/02/21
24	ISSUE FOR PERMIT	02/02/21
25	ISSUE FOR PERMIT	02/02/21
26	ISSUE FOR PERMIT	02/02/21
27	ISSUE FOR PERMIT	02/02/21
28	ISSUE FOR PERMIT	02/02/21
29	ISSUE FOR PERMIT	02/02/21
30	ISSUE FOR PERMIT	02/02/21
31	ISSUE FOR PERMIT	02/02/21
32	ISSUE FOR PERMIT	02/02/21
33	ISSUE FOR PERMIT	02/02/21
34	ISSUE FOR PERMIT	02/02/21
35	ISSUE FOR PERMIT	02/02/21
36	ISSUE FOR PERMIT	02/02/21
37	ISSUE FOR PERMIT	02/02/21
38	ISSUE FOR PERMIT	02/02/21
39	ISSUE FOR PERMIT	02/02/21
40	ISSUE FOR PERMIT	02/02/21
41	ISSUE FOR PERMIT	02/02/21
42	ISSUE FOR PERMIT	02/02/21
43	ISSUE FOR PERMIT	02/02/21
44	ISSUE FOR PERMIT	02/02/21
45	ISSUE FOR PERMIT	02/02/21
46	ISSUE FOR PERMIT	02/02/21
47	ISSUE FOR PERMIT	02/02/21
48	ISSUE FOR PERMIT	02/02/21
49	ISSUE FOR PERMIT	02/02/21
50	ISSUE FOR PERMIT	02/02/21
51	ISSUE FOR PERMIT	02/02/21
52	ISSUE FOR PERMIT	02/02/21
53	ISSUE FOR PERMIT	02/02/21
54	ISSUE FOR PERMIT	02/02/21
55	ISSUE FOR PERMIT	02/02/21
56	ISSUE FOR PERMIT	02/02/21
57	ISSUE FOR PERMIT	02/02/21
58	ISSUE FOR PERMIT	02/02/21
59	ISSUE FOR PERMIT	02/02/21
60	ISSUE FOR PERMIT	02/02/21
61	ISSUE FOR PERMIT	02/02/21
62	ISSUE FOR PERMIT	02/02/21
63	ISSUE FOR PERMIT	02/02/21
64	ISSUE FOR PERMIT	02/02/21
65	ISSUE FOR PERMIT	02/02/21
66	ISSUE FOR PERMIT	02/02/21
67	ISSUE FOR PERMIT	02/02/21
68	ISSUE FOR PERMIT	02/02/21
69	ISSUE FOR PERMIT	02/02/21
70	ISSUE FOR PERMIT	02/02/21
71	ISSUE FOR PERMIT	02/02/21
72	ISSUE FOR PERMIT	02/02/21
73	ISSUE FOR PERMIT	02/02/21
74	ISSUE FOR PERMIT	02/02/21
75	ISSUE FOR PERMIT	02/02/21
76	ISSUE FOR PERMIT	02/02/21
77	ISSUE FOR PERMIT	02/02/21
78	ISSUE FOR PERMIT	02/02/21
79	ISSUE FOR PERMIT	02/02/21
80	ISSUE FOR PERMIT	02/02/21
81	ISSUE FOR PERMIT	02/02/21
82	ISSUE FOR PERMIT	02/02/21
83	ISSUE FOR PERMIT	02/02/21
84	ISSUE FOR PERMIT	02/02/21
85	ISSUE FOR PERMIT	02/02/21
86	ISSUE FOR PERMIT	02/02/21
87	ISSUE FOR PERMIT	02/02/21
88	ISSUE FOR PERMIT	02/02/21
89	ISSUE FOR PERMIT	02/02/21
90	ISSUE FOR PERMIT	02/02/21
91	ISSUE FOR PERMIT	02/02/21
92	ISSUE FOR PERMIT	02/02/21
93	ISSUE FOR PERMIT	02/02/21
94	ISSUE FOR PERMIT	02/02/21
95	ISSUE FOR PERMIT	02/02/21
96	ISSUE FOR PERMIT	02/02/21
97	ISSUE FOR PERMIT	02/02/21
98	ISSUE FOR PERMIT	02/02/21
99	ISSUE FOR PERMIT	02/02/21
100	ISSUE FOR PERMIT	02/02/21

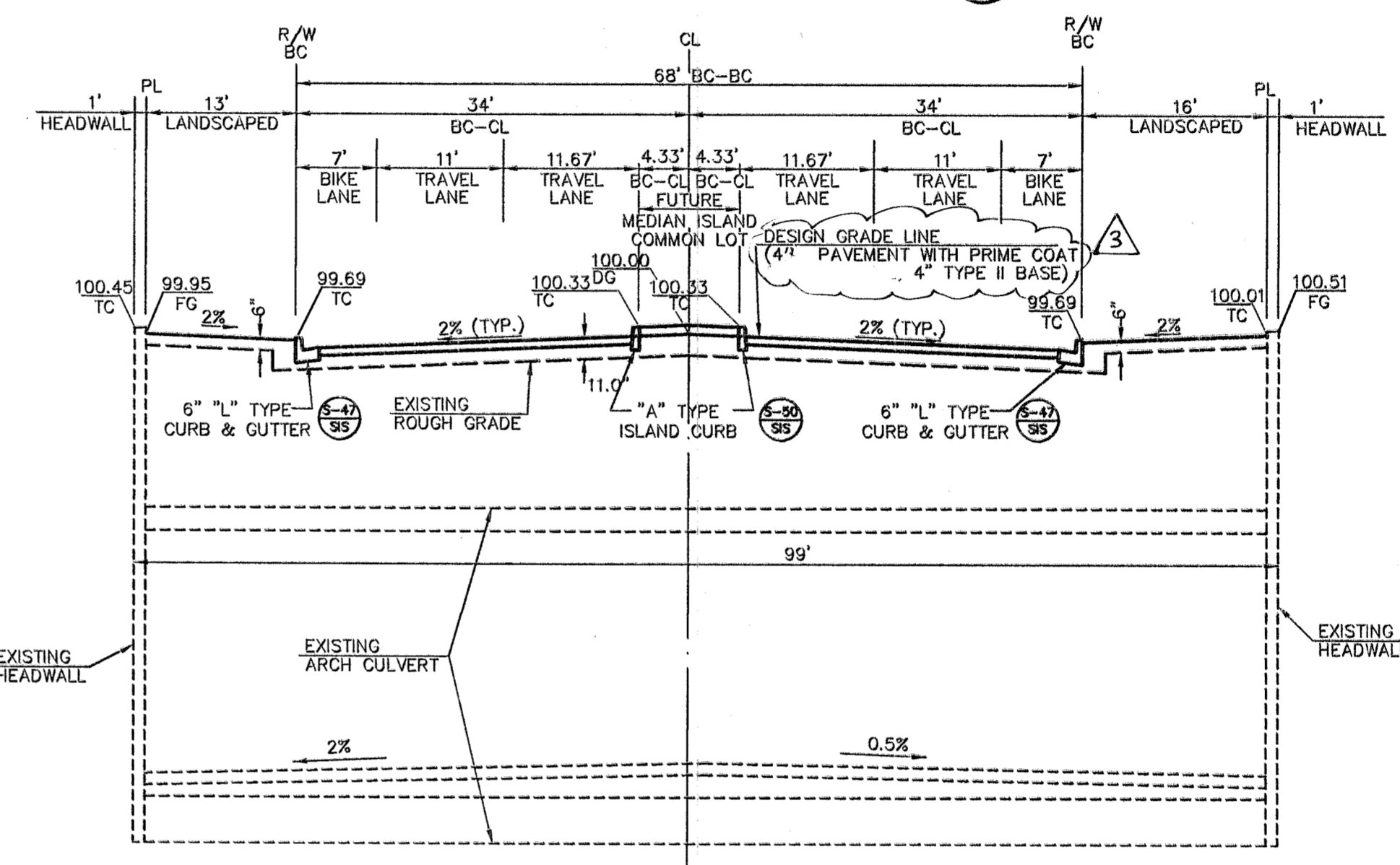
DESIGN: GSW/GTP
 DRAWN: GTP
 CHECK: BAH
 ISSUE DATE: 02/02/21
 ISSUE EDITOR: GTP
 PLOT DATE: 02-22-21
 PLOT TIME: 11:36:53

G.C. WALLACE COMPANIES
 ENGINEERS | PLANNERS | SURVEYORS
 1555 S. RAINBOY BOULEVARD - LAS VEGAS, NV 89146
 T: 702.884.2000 F: 702.884.2299 G: WALLACE.COM

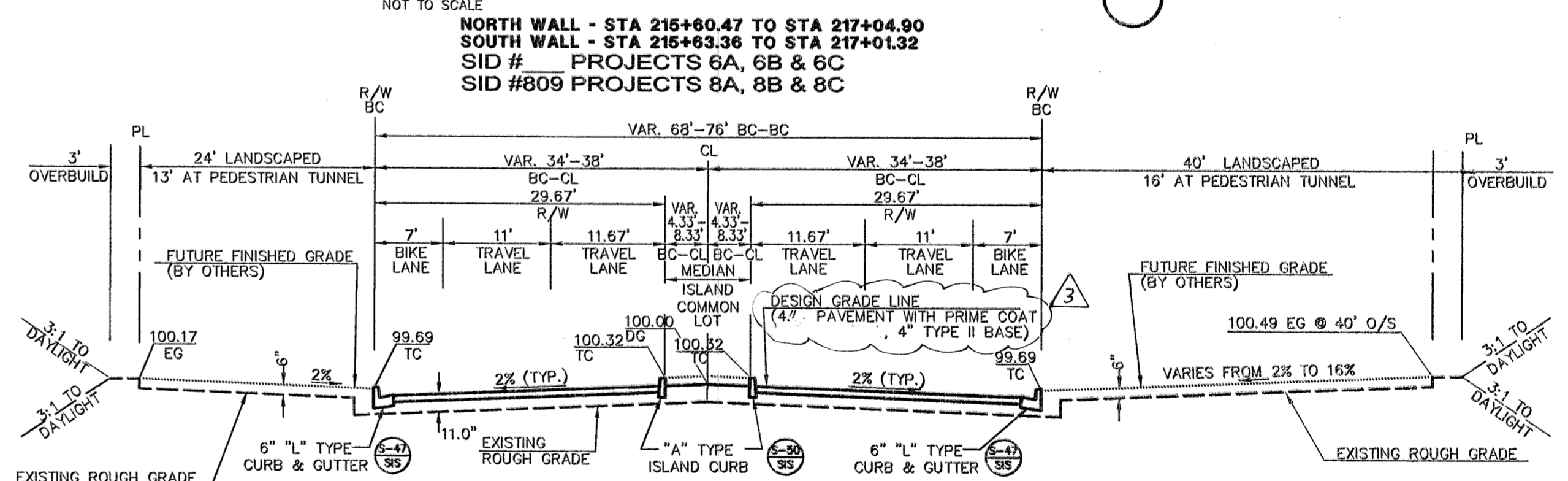
THE HOWARD HUGHES COMPANY, LLC
 VILLAGE 23A/23B ALTA DRIVE IMPROVEMENTS
 TYPICAL SECTIONS



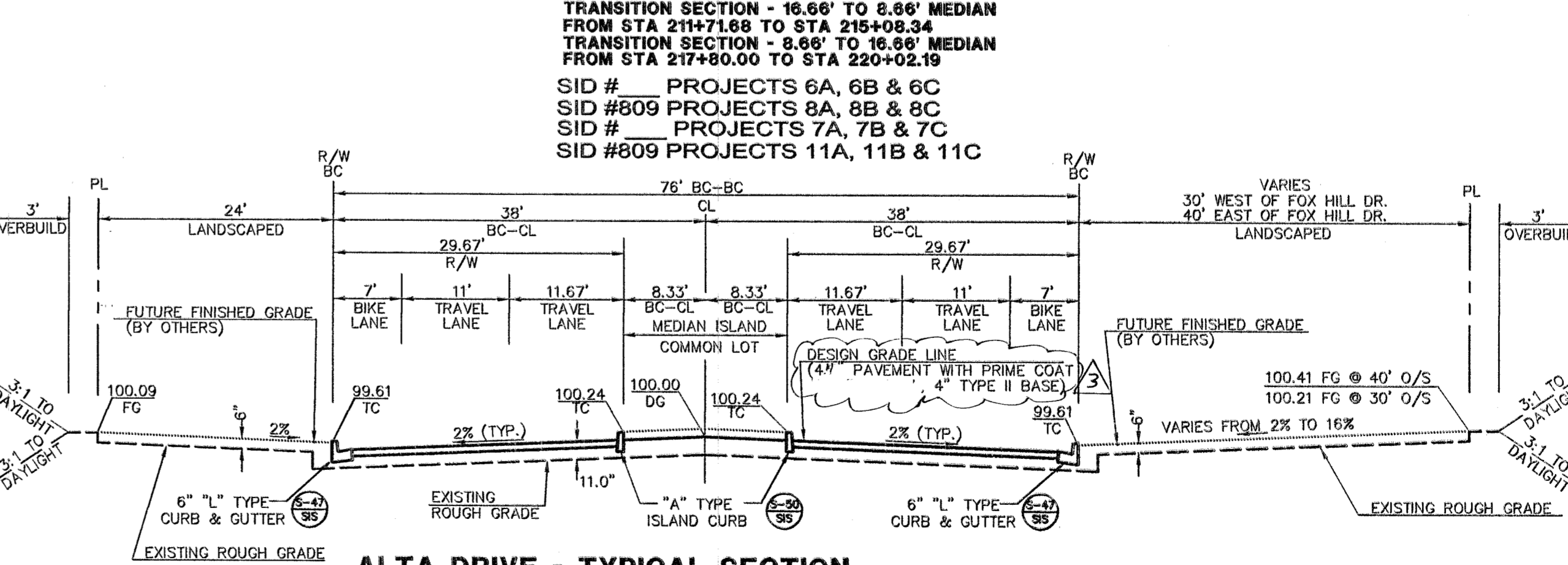
FOX HILL DRIVE
 (PUBLIC NEIGHBORHOOD COLLECTOR LEVEL 1 WITH ADDITIONAL PARKING LANE AND SHARED BIKE LANES)
 NOT TO SCALE



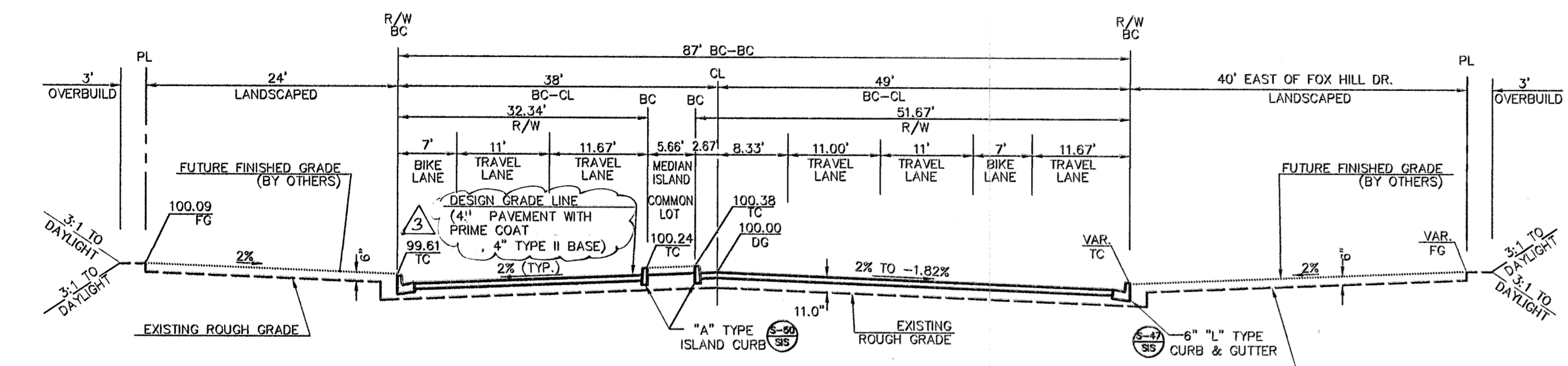
ALTA DRIVE - EXISTING ARCH CULVERT/ HEADWALL SECTION
 (PUBLIC NEIGHBORHOOD ARTERIAL WITH BIKE LANES)
 NOT TO SCALE



ALTA DRIVE - TYPICAL MEDIAN TRANSITION SECTION
 (PUBLIC NEIGHBORHOOD ARTERIAL WITH BIKE LANES)
 NOT TO SCALE

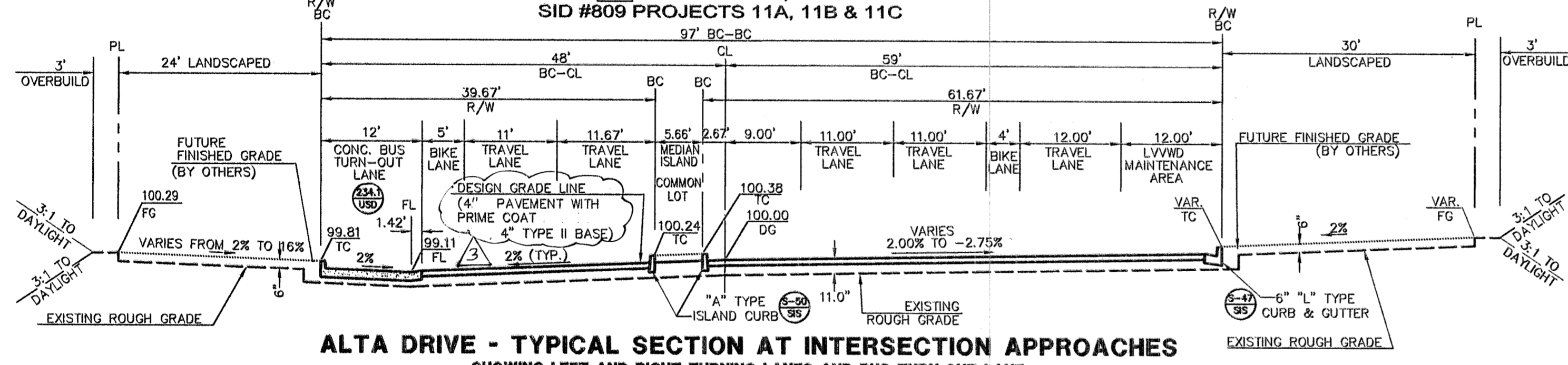


ALTA DRIVE - TYPICAL SECTION
 (PUBLIC NEIGHBORHOOD ARTERIAL WITH BIKE LANES)
 NOT TO SCALE



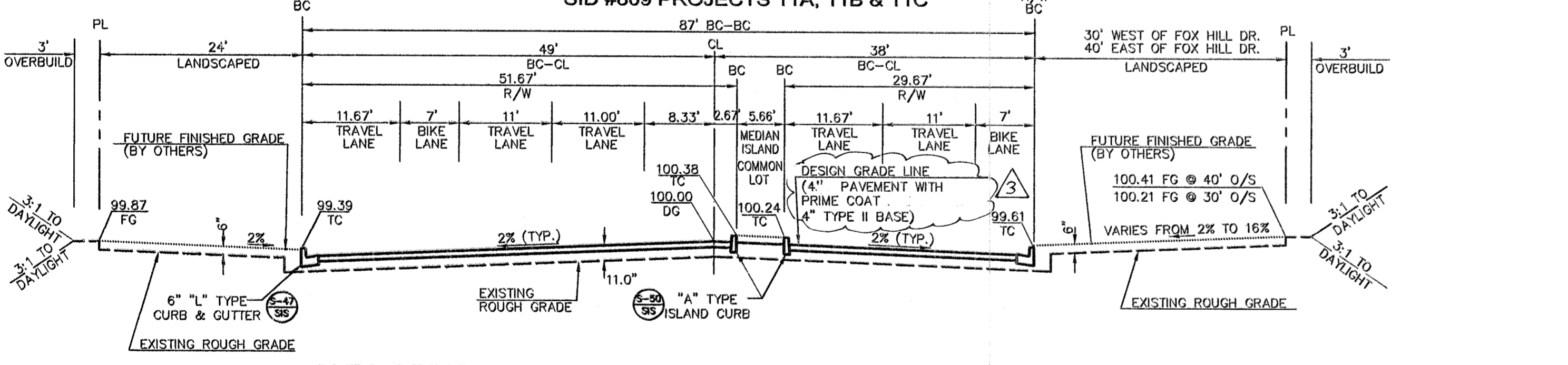
ALTA DRIVE - TYPICAL SECTION AT INTERSECTION APPROACHES
 SHOWING LEFT AND RIGHT TURNING LANES
 (PUBLIC NEIGHBORHOOD ARTERIAL WITH BIKE LANES)
 NOT TO SCALE

SID # PROJECTS 6A, 6B & 6C
 SID #809 PROJECTS 8A, 8B & 8C
 SID # PROJECTS 7A, 7B & 7C
 SID #809 PROJECTS 11A, 11B & 11C



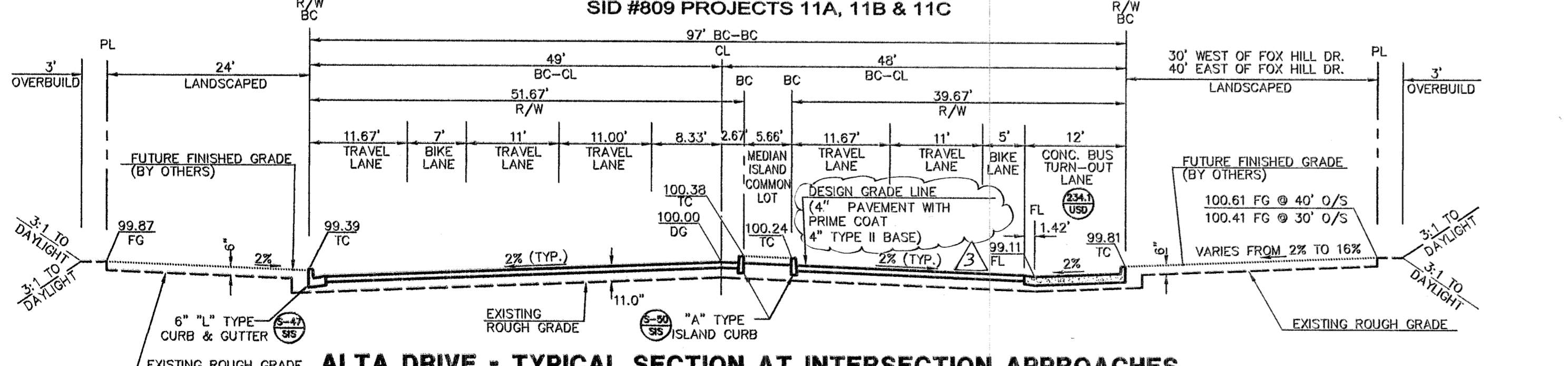
ALTA DRIVE - TYPICAL SECTION AT INTERSECTION APPROACHES
 SHOWING LEFT AND RIGHT TURNING LANES AND BUS TURN-OUT LANE
 (PUBLIC NEIGHBORHOOD ARTERIAL WITH BIKE LANES)
 NOT TO SCALE

SID # PROJECTS 6A, 6B & 6C
 SID #809 PROJECTS 8A, 8B & 8C
 SID # PROJECTS 7A, 7B & 7C
 SID #809 PROJECTS 11A, 11B & 11C



ALTA DRIVE - TYPICAL SECTION AT INTERSECTION APPROACHES
 SHOWING LEFT AND RIGHT TURNING LANES
 (PUBLIC NEIGHBORHOOD ARTERIAL WITH BIKE LANES)
 NOT TO SCALE

SID # PROJECTS 6A, 6B & 6C
 SID #809 PROJECTS 8A, 8B & 8C
 SID # PROJECTS 7A, 7B & 7C
 SID #809 PROJECTS 11A, 11B & 11C



ALTA DRIVE - TYPICAL SECTION AT INTERSECTION APPROACHES
 SHOWING LEFT AND RIGHT TURNING LANES AND BUS TURN-OUT LANE
 (PUBLIC NEIGHBORHOOD ARTERIAL WITH BIKE LANES)
 NOT TO SCALE

SID # PROJECTS 6A, 6B & 6C
 SID #809 PROJECTS 8A, 8B & 8C
 SID # PROJECTS 7A, 7B & 7C
 SID #809 PROJECTS 11A, 11B & 11C

2743
 2013 0855
 plm

H# 47511