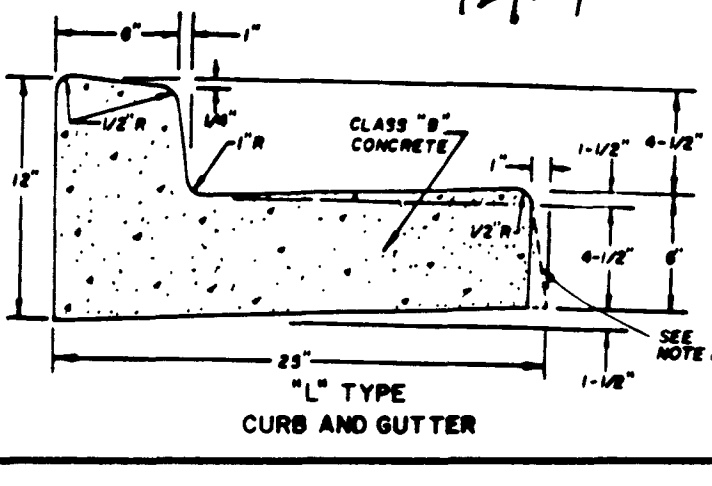
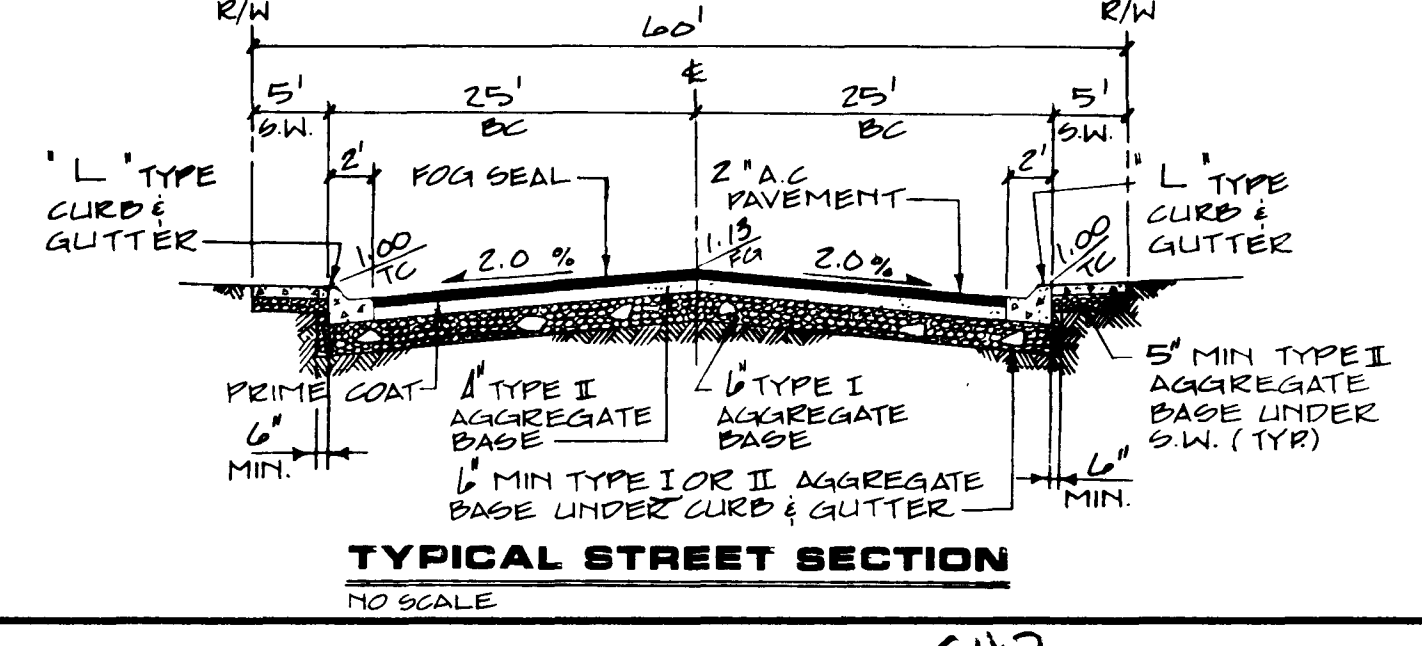
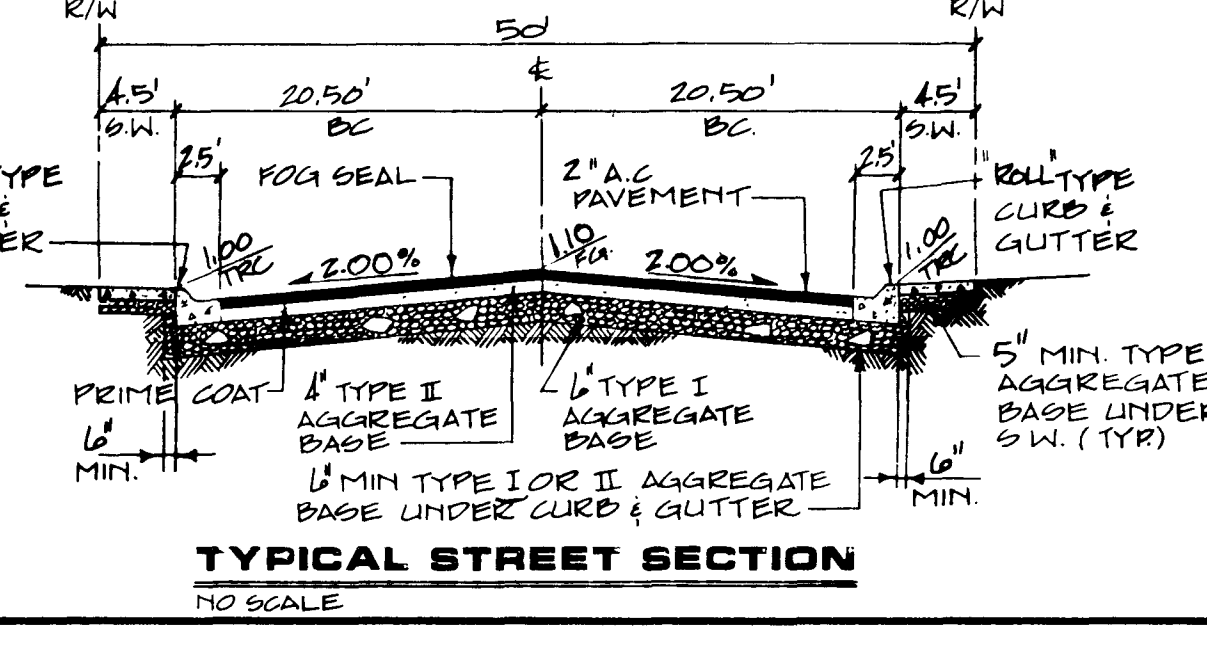
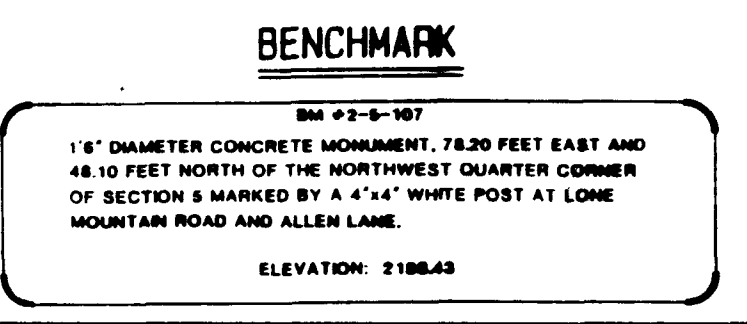
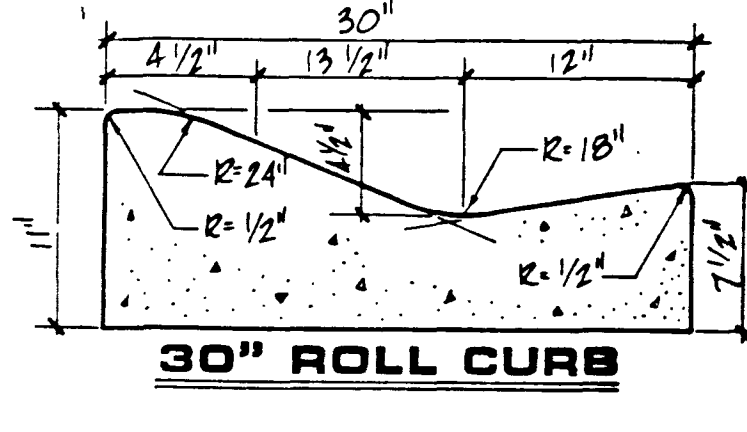


B/C CURVE DATA

NO.	DELTA	RADIUS	ARC LENGTH	TANGENT
1	90°00'00"	19.50'	30.63'	19.50'
2	82°02'22"	19.50'	27.92'	14.94'
3	118°01'43"	41.00'	84.46'	48.27'
4	51°48'48"	29.50'	16.36'	8.41'
5	77°28'48"	19.50'	26.57'	15.64'
6	18°15'47"	155.00'	49.32'	24.87'
7	9°01'56"	854.00'	134.55'	67.42'
8	00°19'58"	204.00'	4.39'	2.30'
9	02°45'51"	20.00'	28.29'	17.62'
10	10°05'44"	20.00'	35.93'	25.11'
11	02°45'24"	204.00'	28.22'	19.11'
12	18°15'47"	205.00'	65.22'	32.09'
13	10°05'26"	19.50'	34.39'	23.68'
14	55°10'35"	29.50'	28.49'	15.47'
15	189°07'59"	41.00'	106.71'	188.48'
16	92°31'02"	19.50'	38.85'	21.85'



RIS. DEVELOPMENT
CITY OF LAS VEGAS

APP'D: _____ REV: _____ DATE: _____ BY: _____

REVISION

CONSULTING ENGINEERS - PLANNERS
2727 SOUTH RAINBOW BOULEVARD
LAS VEGAS, NEVADA 89102 PHONE (702) 873-7550

vtn nevada

STREET PLAN & PROFILE
RED ROSE LANE, CLARET CIRCLE & CRIMSON LEAF DRIVE
CRIMSON RIDGE - UNIT 3
(RANCHO ALTA MIRA LOT 7)

TITLE

NO. 3890-3

BY RPF/GAT

DATE NOV. 1991

HORIZ. 1"=40'
SCALE VERT. 1"=4'

SHEET
5
OF 10 SHEETS

1074-4085-3

